

MIS2ION™

Owner's Manual



En Original instructions
De Originalbetriebsanleitung
Fr Notice originale
I Istruzioni originali
Es Manual original
NI Oorspronkelijke gebruiksaanwijzing
Pl Instrukcja oryginalna
Dk Original brugsanvisning
Nor Original driftsinstruks
Sv Original instruktioner

En	Owner's Manual	P04
De	Benutzerhandbuch	P18
Fr	Mode d'emploi	P33
I	Manuale d'uso	P47
Es	Manual del propietario	P61
NI	Gebruikershandleiding	P75
Pl	Instrukcja obsługi	P89
Dk	Instruktionsbog	P103
Nor	Brukermanuel	P117
Sv	Bruksanvisning	P131
KR160E KR160E.A KR161E KR171E		

Users can view the electronic instructions at <https://www.kress.com/en/>.

Product safety

General safety warnings



WARNING: Read all safety warnings and all instructions. Failure to follow the warnings and instructions may result in electric shock, fire and/or serious injury.

Carefully read the instructions for the safe operation of the machine.

Save all warnings and instructions for future reference.

- This appliance is not intended for use by persons (including children) with reduced physical, sensory or mental capabilities, or lack of experience and knowledge, unless they have been given supervision or instruction concerning use of the appliance by a person responsible for their safety.
- Children should be supervised to ensure that they do not play with the appliance.
- This appliance contains batteries that are only replaceable by skilled persons.

WARNING: For the purposes of recharging the battery, only use the detachable supply unit provided with this appliance.

4
EN

IMPORTANT READ CAREFULLY BEFORE USE KEEP FOR FUTURE REFERENCE

Safe operation practices Training

- a) Read the instructions carefully. Make sure you understand the instructions and be familiar with the controls and the proper use of the appliance.
- b) Never allow people unfamiliar with these instructions or children to use the appliance. Local regulations can restrict the age of the operator.
- c) The operator or user is responsible for accidents or hazards occurring to other people or their property.

Preparation

- a) Confirm that the virtual boundary is established as instructed and the virtual boundary is regularly maintained. Before each working cycle, the machine goes around the working area to check whether the virtual

boundary exists, if it does not exist, the machine will shut down. The virtual boundary specifies the work area where the machine is allowed to operate. The RTK antenna in the machine senses when it is approaching the virtual boundary. When the machine hits an obstacle or approaches the virtual boundary the product selects a new direction.

- b) Periodically inspect the area where the appliance is to be used and remove all stones, sticks, wires, bones, and other foreign objects.
- c) Periodically visually inspect to see that the blades, blade bolts and cutter assembly are not worn or damaged. Replace worn or damaged blades and bolts in sets to preserve balance.
- d) On multi-spindle appliances, take care as rotating one blade can cause other blades to rotate.
- e) WARNING! The lawnmower shall not be operated without the guard in place.

Operation 1. General

- a) Never operate the appliance with defective guards, or without safety devices, for example deflectors, in place.
- b) Do not put hands or feet near or under rotating parts. Keep clear of the discharge opening at all times.
- c) Never pick up or carry an appliance while the motor is running.
- d) Operate the disabling device from the appliance
 - Before clearing a blockage;
 - Before checking, cleaning or working on the appliance;
 - After striking a foreign object to inspect the machine for damage;
 - If the machine starts to vibrate abnormally, and to check for damage before restarting.
- e) It is not permitted to modify the original design of robotic lawnmower. All modifications are made at your own risk.
- f) Start robotic lawnmower according to the instructions. When the power is on, make sure you keep your hands and feet away from the rotating blades. Never put your hands and feet under the mower.
- g) Never lift up robotic lawnmower or carry it when the power is on.
- h) Do not let persons who do not know how robotic lawnmower works and behaves use the mower.
- i) Do not put anything on top of robotic

- lawnmower or its charging base.
- j) Do not allow robotic lawnmower to be used with a defective blade disc or body. Neither should it be used with defective blades, screws, nuts or cables.
- k) Always switch off robotic lawnmower when you do not intend to use the mower. Robotic lawnmower can only start when the power is on and the correct PIN code has been entered.
- l) Keep your hands and feet away from the rotating blades. Never place your hands or feet close to or under the body when robotic lawnmower is in operation.
- m) To avoid using the machine and its peripherals in bad weather conditions especially when there is a risk of lightning.
- n) Not to touch moving hazardous parts before these have come to a complete stop.
- o) For machines used in public areas, that warning signs shall be placed around the working area of the machine. They shall show the substance of the following text:
Warning! Automatic lawnmower! Keep away from the machine! Supervise children!
- p) To avoid the risk of injury, please stop the mower and carry out the mower to another lawn to be mowed. Never drag or pull the mower on operation when you change the lawn to be mowed.

2. Additionally when the appliance is operating automatically

- a) Do not leave the machine to operate unattended if you know that there are pets, children or people in the vicinity.

Maintenance and storage



WARNING! When the mower is turned upside down the power must always be off.

The power should be off during all work on the mower's underframe, such as cleaning or replacing the blades.

- a) Keep all nuts, bolts and screws tight to be sure the appliance is in safe working condition.
- b) Inspect the robotic lawnmower each week and replace worn or damaged parts for safety.
- c) Check especially that the blades and blade disc are not damaged. Replace all blades and screws at the same time if necessary so that the rotating parts are balanced.
- d) Ensure that only replacement cutting means of the right type are used.

- e) Ensure that batteries are charged using the correct charger recommended by the manufacturer. Incorrect use may result in electric shock, overheating or leakage of corrosive liquid from the battery.
- f) In the event of leakage of electrolyte flush with water/neutralizing agent, seek medical help if it comes into contact with the eyes etc.
- g) Servicing of the appliance should be according to manufacturers' instructions.

Recommendation

To connect the machine and/or its peripherals only to a supply circuit protected by a residual current device (RCD) with a tripping current of not more than 30 mA.

Residual risks

To avoid injuries, wear protective gloves when replacing the blades.

Transport

The original packaging should be used when transporting robotic lawnmower over long distances.

To safely move form or within the working area:

- a) Press the STOP button to stop the mower. You select the four digit PIN code when you start the mower for the first time.
- b) Always switch off robotic lawnmower if you intend to carry the mower.
- c) Carry the mower by the handle at the rear under the mower. Carry the mower with the blade disc away from the body.

RF exposure requirements

To satisfy RF exposure requirements, a separation distance of 200mm or more should be maintained between this device and persons during device operation.

To ensure compliance, operations at closer than this distance is not recommended. The antenna used for this transmitter must not be co-located in conjunction with any other antenna or transmitter.

This is a class III appliances and it must only be supplied at safety extra low voltage corresponding to the marking on the appliance.

Safety Warnings for battery pack inside the tool

- a) Do not dismantle, open or shred battery pack.

- b) **Do not short-circuit a battery pack. Do not store battery packs haphazardly in a box or drawer where they may short-circuit each other or be short-circuited by conductive materials.** When battery pack is not in use, keep it away from other metal objects, like paper clips, coins, keys, nails, screws or other small metal objects, that can make a connection from one terminal to another. Shorting the battery terminals together may cause burns or a fire.
- c) **Do not expose battery pack to heat or fire. Avoid storage in direct sunlight.**
- d) **Do not subject battery pack to mechanical shock.**
- e) **In the event of battery leaking, do not allow the liquid to come into contact with the skin or eyes. If contact has been made, wash the affected area with copious amounts of water and seek medical advice.**
- f) **Keep battery pack clean and dry.**
- g) **Recharge only with the charger specified by Kress. Do not use any charger other than that specifically provided for use with the equipment.**
- h) **Do not use any battery pack which is not designed for use with the equipment.**
- i) **Keep battery pack out of the reach of children.**
- j) **Retain the original product literature for future reference.**
- k) **Dispose of properly.**
- l) **Do not mix cells of different manufacture, capacity, size or type within a device.**
- m) **Keep the battery away from microwaves and high pressure.**
- n) **Warning! Do not use non-rechargeable batteries.**

User manual requirements for wireless product

- a) Operation of this device is subject to the following two conditions:
 - (1) This device may not cause harmful interference, and
 - (2) this device must accept any interference received, including interference that may cause undesired operation.
- b) Caution: Changes or modifications to this unit not expressly approved by the party responsible for compliance could void the user's authority to operate the equipment.
- c) NOTE: This equipment generates, uses and can radiate radio frequency energy and, if not installed and used in accordance

with the instructions, may cause harmful interference to radio communications. However, there is no guarantee that interference will not occur in a particular installation. If this equipment does cause harmful interference to radio or television reception, which can be determined by turning the equipment off and on, the user is encouraged to try to correct the interference by one or more of the following measures:

- Reorient or relocate the receiving antenna.
- Increase the separation between the equipment and receiver.
- Connect the equipment into an outlet on a circuit different from that to which the receiver is connected.
- Consult the dealer or an experienced radio/TV technician for help.

Symbols



WARNING – robotic lawnmower can be dangerous if incorrectly used. Read through the Operator's manual carefully and understand the content before using your robotic lawnmower.



WARNING - Keep a safe distance from the machine when operating.



WARNING – Operate the disabling device before working on or lifting the machine.



WARNING – Do not ride on the machine.



Class III appliance



Waste electrical products must not be disposed of with household waste. Please recycle where facilities exist. Check with your local authorities or retailer for recycling advice.



Li-Ion battery. This product has been marked with a symbol relating to 'separate collection' for all battery packs and battery pack. It will then be recycled or dismantled in order to reduce the impact on the environment. Battery packs can be hazardous for the environment and for human health since they contain hazardous substances.



Do not burn.



Batteries may enter water cycle if disposed improperly, which can be hazardous for ecosystem. Do not dispose of waste batteries as unsorted municipal waste.



Do not wash the machine with a high pressure washer

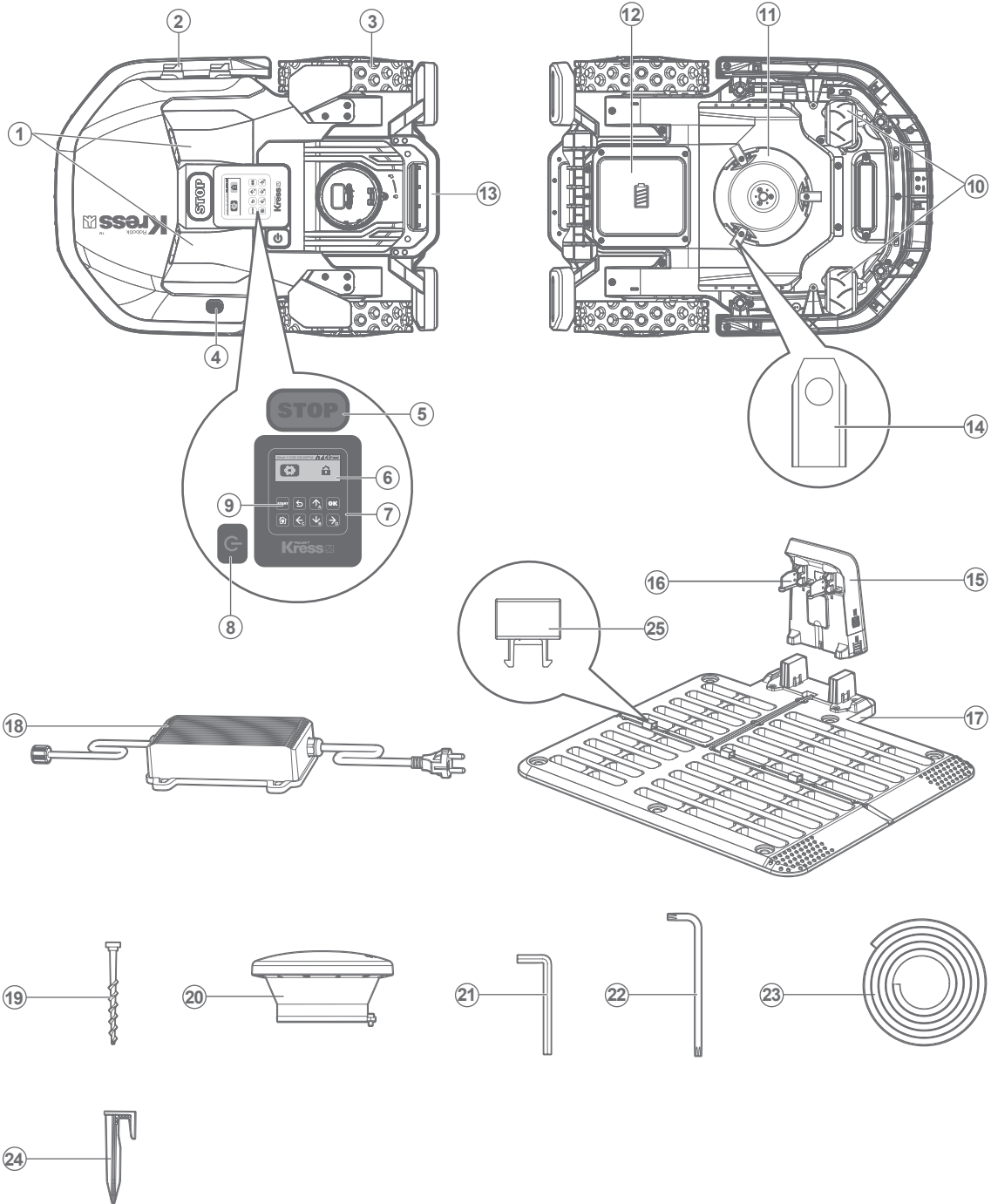


Read operator's manual



Detachable supply unit

Component list




- | | |
|--|--------------------------------|
| 1. Ultrasonic sensor (Only for KR160E.A, KR161E, KR171E) | 14. Cutting Blade |
| 2. Charging Strips | 15. Charging Pile |
| 3. Rear Driving Wheel | 16. Contact Pins |
| 4. Rain Sensor | 17. Charging Base |
| 5. STOP Button | 18. Power Adapter |
| 6. Display | 19. Charging Base Fixing Nails |
| 7. Keypad | 20. RTK Antenna |
| 8. ON/OFF Key | 21. Hex Key |
| 9. START Key | 22. Wrench for RTK antenna |
| 10. Front Wheel | 23. Magnetic Strip |
| 11. Blade Turning Disc | 24. Staples |
| 12. Battery Pack * | 25. Buckle |
| 13. Handle | |

***Not all the accessories illustrated or described are included in standard delivery.**

Technical data

Type **KR160E KR160E.A KR161E KR171E (100-199 - designation of machinery, representative of Robotic Lawnmower)**

	KR160E	KR160E.A	KR161E	KR171E
Rated voltage	20V  Max.*			
No load speed	2700/min			
Cutting area**	600 m ²		1000 m ²	1500 m ²
Cutting diameter	20 cm			
Cutting height	30-60 mm			
Cutting height positions	7			
Battery type	Lithium-ion			
Battery model	KA3024			
Charging time approx.	180 min			
Charger model	KA0200 / KA0201			
Charger rating	Input: 100-240 V~50/60 Hz, 38 W, Output: 20 V, 1.5 A			
Machinery weight	12 kg		12.2 kg	
Protection degree	III			
App	Y			
Maximum slope within the work surface	40%			

* Voltage measured at no load. Initial battery voltage reaches maximum of 20 volts. Nominal voltage is 18 volts.

** The total cutting area within all the active presets should not be over the recommended area size. The

exceeded area cannot be assigned to the mower.

Technical Data For Antenna

Rated voltage	5V±2%		
operating temperature	-40°C~85°C		
Storage temperature	-40°C~85°C		
Band	Tx(Mhz)	Rx(Mhz)	RF Output Power (Max)
GSM900(B8)	880-915	925-960	33dBm
DCS1800(B3)	1710-1785	1805-1880	30dBm
WCDMA B1	1920-1980	2110-2170	24dBm
WCDMA B8	880-915	925-960	24dBm
LTE-FDD B1	1920-1980	2110-2170	23dBm
LTE-FDD B3	1710-1785	1805-1880	23dBm
LTE-FDD B7	2500-2570	2620-2690	23dBm
LTE-FDD B8	880-915	925-960	23dBm
LTE-FDD B20	832-862	791-821	23dBm
LTE-FDD B28	703-748	758-803	23dBm
LTE-TDD B38	2570-2620	2570-2620	23dBm
LTE-TDD B40	2300-2400	2300-2400	23dBm

10

EN

Technical data for 4G-GPS

4G module -GNSS	GNSS GPS Band L1	1575.42+/-1.023
	Galileo Band E1	1575.42+/-1.023
	BDS Band E11	1561.098+/-2.046
	GLONASS Band G1	1579.5~1605.8

Noise data

	KR160E KR160E.A KR161E KR171E
A weighted sound pressure	$L_{pA} = 47.5 \text{ dB (A)}, K_{pA} = 3.0 \text{ dB(A)}$

A weighted sound power

$L_{WA} = 55.5 \text{ dB (A)}$, $K_{WA} = 3.0 \text{ dB(A)}$

Wear ear protection when sound pressure is over

80dB(A) 

A degree of noise from the machine is not avoidable. Route noisy work is to be licensed and limits for certain periods. Keep rest periods and they may need to restrict the working hours to a minimum. For their personal protection and protection of people working nearby, an appropriate hearing protection shall be worn.

Accessories

	KR160E	KR160E.A	KR161E	KR171E
Screw for fixing blades	9	9	9	9
Charging base	1	1	1	1
Charging base fixing nails	6	6	6	6
Hex key	1	1	1	1
Wrench for RTK antenna	1	1	1	1
Magnetic strip	1	1	1	1
Measurement gauge	2	2	2	2
Blade	9	9	9	9
RTK antenna	1	1	1	1
Staples	16	16	16	16
Battery pack (KA3024)	1	1	1	1
Charger (KA0200/KA0201)	1	1	1	1

11
EN

We recommend that you purchase genuine accessories listed in the above list from the same store that sold you the tool. Refer to the accessory packaging for further details. Store personnel can assist you and offer advice.

Intended Use

The garden product is intended for domestic lawn mowing. It is designed to mow often, maintaining a healthier and better looking lawn than ever before. Depending on the size of your lawn, Mission™ RTKⁿ may be programmed to operate at any time or frequency. It is not intended for digging, sweeping or snow cleaning.

Maintenance

Your Mission™ RTKⁿ works hard and needs to be cleaned and checked from time to time. Some parts will require replacement as they become worn. Never use your Mission™ RTKⁿ with defective on/off switch. Switch off the machine before carrying out any service or maintenance. Here's how to take care of your Mission™ RTKⁿ.

1

Keep it Sharp

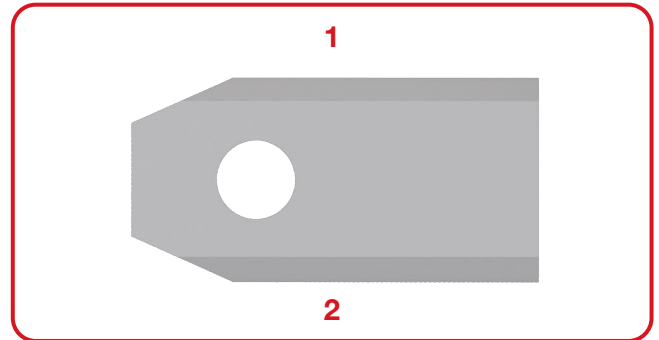


WARNING: Before cleaning, adjusting, or replacing the blades, turn your Mission™ RTKⁿ OFF and put on protective gloves.



WARNING: When fitting new blades, make sure you replace ALL the blades. Always use new screws when fitting blades. This is important to ensure blade retention and balance the blade turning disc. Failure to use new screws could cause serious injury.

The Mission™ RTKⁿ does not cut grass like other mowers. Its cutting blades are razor sharp on 2 edges and rotate in both directions for maximum cutting capacity. Redesigned blade profile better prevents grass clippings from getting caught in the gap between the disc and the blade. And with new material, the service life of each cutting blade will be longer than that of other brands' when it is programmed to mow every day. Always check to see if the blades are chipped or damaged and replace them if they are. When the cutting blades are dull and worn out, they should be replaced with the spare blades provided with your Mission™ RTKⁿ. Spare blades are also available at your nearest Kress retailer.



A. Replace the blades

12

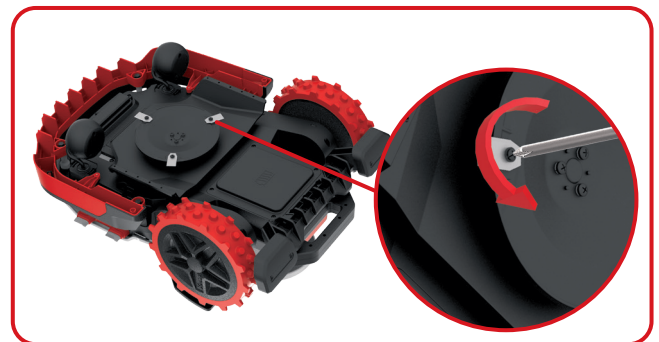
EN

Usually your Mission™ RTKⁿ's blades need to be reversed each month and replaced every week, you can adjust the frequency of replacing the blade according to the cutting quality of the lawn. When replacing the blades, make sure to replace all of them at the same time. You can replace them with one of the spare blade kits and extra blade screws supplied with your Mission™ RTKⁿ.

Before attempting to replace your Mission™ RTKⁿ's blades, turn the power off and put on protective gloves and follow these steps:

1. Gently flip the Mission™ RTKⁿ over.
2. Remove the battery cover and remove the battery.
3. Take the screws off the blades with a screwdriver.
4. Firmly screw on the new blades.
5. Refit the battery and the battery cover.


Important: After screwing the blade to the blade disc, make sure the blade is able to spin freely.



2

Keep it Clean

 **WARNING:** Before cleaning, turn your Mission™ RTKⁿ OFF. Put on protective gloves before cleaning the blade turning disc and do not rinse or flush with water.

 **WARNING!** YOUR Mission™ RTKⁿ can only be washed by using a hose! DO NOT use high pressure washer on your Mission™ RTKⁿ. High pressure water can go inside the sealings and damage electronic and mechanical parts.

A. Cleaning the Body

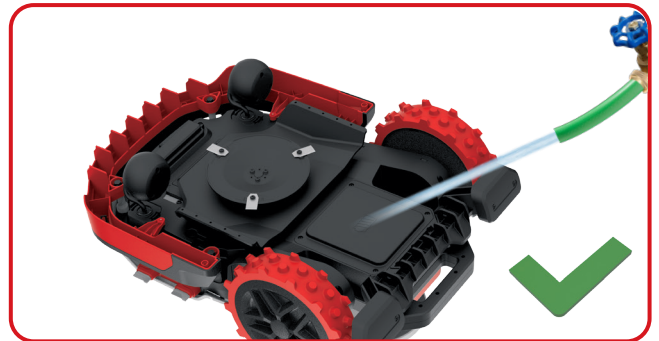
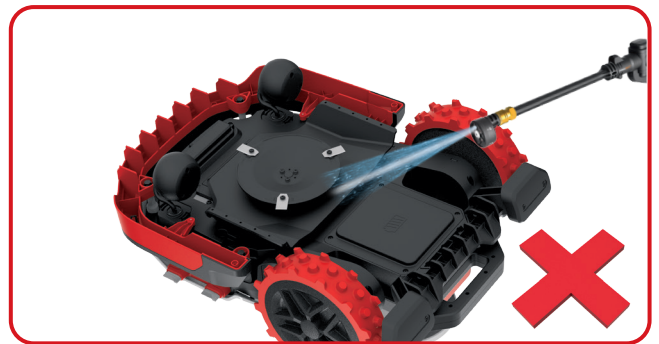
Your Mission™ RTKⁿ will live a much happier and longer life if it is cleaned regularly. Since your Mission™ RTKⁿ is an electric machine, you will need to take care when cleaning. Hose water clean is supported. It is best to use a spray bottle filled with water. When cleaning the machine body, use a soft brush or clean cloth and avoid using solvents or polishes. Lastly, remove all build up of grass clippings and debris.

B. Cleaning the underside

Again, it is important that you power the Mission™ RTKⁿ OFF and **wear protective gloves before touching the blade turning disc**. First, flip your Mission™ RTKⁿ upside down to expose its underside. Here you will see the blade disc, the chassis, and the front wheel and driving wheels. Clean everything thoroughly with a soft brush or moist rag. Hose water clean is supported.

Rotate the blade disc to ensure it rotates freely. Check the blades spin freely around the fixing screws. Remove any obstructions.

IMPORTANT: Remove any stuck debris so that it does not cause a crack in the blade disc. Even the tiniest crack can decrease your Mission™ RTKⁿ's mowing output.



C. Clean the contact pins and the charging strips

Clean the contact pins located on the charging base and the charging strips located on the Mission™ RTKⁿ using a cloth. Remove any built up grass clippings or debris around the contact pins and charge strips periodically to ensure the Mission™ RTKⁿ successfully charges each time.

3

Battery Life

The heart of the Mission™ RTKⁿ is its 20V Li-Ion Battery. For proper storage of the battery, make sure it is fully charged and kept in a cool dry place between (-20°C~+60°C).

NOTE: The recommend Mission™ RTKⁿ operation temperature is between 0-55°C.

The life-span of the Mission™ RTKⁿ's battery depends on various factors, such as:

- The length of the mowing season in your region
- Amount of hours the Mission™ RTKⁿ mows per day
- Battery maintenance during storage

Mission™ RTKⁿ can be charged manually.

1. Connect the charging base to a suitable power supply. The green light on the charging base will turn on.
2. Manually dock the Mission™ RTKⁿ into the charging base while the Mission™ RTKⁿ is powered off.
3. The green light on the charging base will be flashing and Mission™ RTKⁿ will begin to charge.



4

Winter Hibernation

Your Mission™ RTKⁿ will live longer and healthier if it is allowed to hibernate. So even though it is tough, we recommend storing your Mission™ RTKⁿ in your shed or garage during the winter.

Before you prepare your Mission™ RTKⁿ for winter hibernation, we recommend you:

- Thoroughly clean your Mission™ RTKⁿ
- Fully charge the battery
- Turn the power off

To maximize the battery life, fully charge the battery before storage during winter.

! **WARNING: Protect the underside of Mission™ RTKⁿ from water. NEVER store Mission™ RTKⁿ upside down outdoors.**

NOTE: When bringing the Mission™ RTKⁿ back to work after winter hibernation, make sure the charging strips and contact pins are clean. We recommend using a fine grade emery cloth to clean the contacts. Using the app, make sure the date and time are correct and send Mission™ RTKⁿ back to what it loves doing: mowing.

5

Replacing the battery

! **WARNING: Power off before attempting any adjustment, replacement or repair.**

Before replacing the blades, turn your Mission™ RTKⁿ OFF and put on protective gloves.

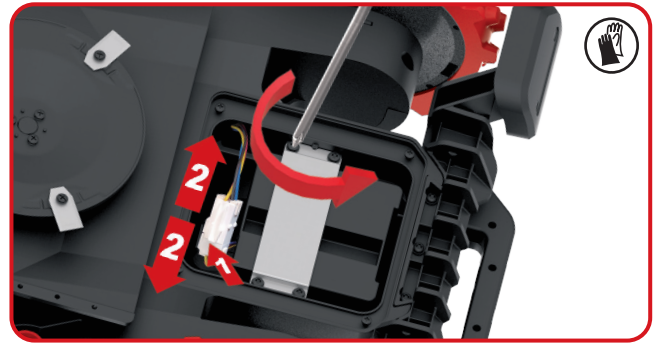
If you need to replace the battery, follow these steps:

1. Gently turn your Mission™ RTKⁿ upside down.
2. Remove the screws on the battery cover.
Remove the battery cover.

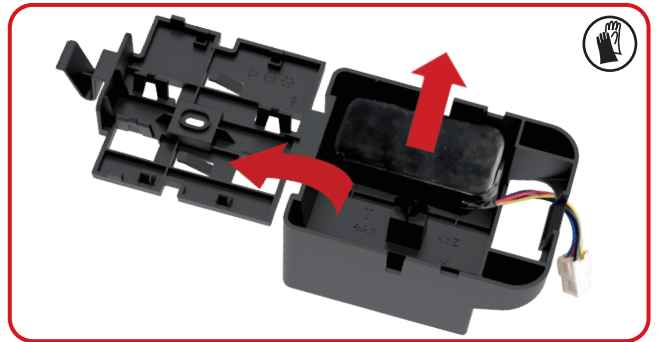


3. Remove the screws on the sheet metal.
Remove the sheet metal.
4. Press the latch and release the connectors as the picture shown. Lift out the battery box carefully.

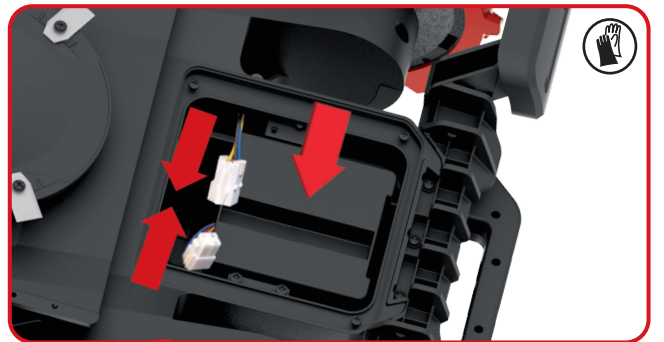
NOTE: Do not pull by the cables. Hold the connectors and release the latch.



5. Open the battery box then lift out the battery carefully. Replace the old battery with the new one.



6. Put the battery box back in its position and plug the connectors. Refit the sheet metal.



7. Place the cover back in its position and tighten the screws.



Troubleshooting


If your Mission™ RTKⁿ does not work correctly, follow the trouble shooting guide below. If the fault persists, contact your dealer.

Symptom	Cause	Solution
The LED light on the charging base does not turn on.	There is no power.	Check the charging base is connected properly to the charger and the charger is connected to a suitable power supply.
Mission™ RTK ⁿ cannot correctly dock with the charging base.	The magnetic strip is placed in the wrong direction.	Check if the magnetic strip is placed in the wrong direction. When correctly placed, the green stripe of the magnetic strip is facing away from the charging base.
Machine runs out of power but does not return to charging base.	No virtual charging base is mapped.	Rebuild the map and add the virtual charging base.
	The length of the magnetic strip is less than 2.5 m.	The length of the magnetic strip should be guaranteed to be greater than 2.5 m.
When Mission™ RTK ⁿ is going downhill, it overruns the boundary line.	The angle of the border line is very sharp.	Try to avoid layout scenarios with sharp angles.
After Mission™ RTK ⁿ is turned on, the start button is pressed, but Mission™ RTK ⁿ does not work.	Mission™ RTK ⁿ is outside the working area.	Move Mission™ RTK ⁿ inside the working area.
	Poor positioning signal	Find an open place, wait for the positioning signal light to turn green, and then press start button.
Mission™ RTK ⁿ does not give an alarm when it is outside the Geo fence.	The software of Mission™ RTK ⁿ itself is not the latest.	Update the software of the Mission™ RTK ⁿ .
	Mission™ RTK ⁿ is powered off.	Turn Mission™ RTK ⁿ on.
Mission™ RTK ⁿ is parked in the middle of the obstacle.	The obstacles around Mission™ RTK ⁿ are relatively small, and Mission™ RTK ⁿ fails to get out of trouble.	Set the area where Mission™ RTK ⁿ is easily trapped as No-Go.
	The sensor of Mission™ RTK ⁿ is abnormal	Detect Mission™ RTK ⁿ 's diagnostic page on the APP and check the sensor status.
Unable to read log	The format of U-disk is not FAT32 .	Convert the format of U-disk to FAT32 .
Mission™ RTK ⁿ is parked around the wall and cannot be started, and the positioning light is always on red.	Mission™ RTK ⁿ works in the shaded area for too long, triggering the safety protection.	Try to avoid letting Mission™ RTK ⁿ mow in areas with too much shade.
	There are too many walls or trees in the area, blocking the positioning signal.	

16

EN

Environmental protection

 Waste electrical products should not be disposed of with household waste. Please recycle where facilities exist. Check with your Local Authority or retailer for recycling advice.

Declaration of conformity

We,
Positec Germany GmbH
Postfach 680194, 50704 Cologne, Germany

On behalf of Positec declare that the product

Description **Robotic Lawnmower**

Type **KR160E KR160E.A KR161E KR171E (100-199- designation of machinery, representative of Robotic Lawnmower) (Year, article number and month of serial number are placed on the back page. The complete serial number is clearly stated on the enclosure of lawnmower) with battery charger KA0200 / KA0201 and charging base KA0074**

Function **Cutting grass**

Complies with the following Directives,

2006/42/EC, 2014/30/EU, 2014/35/EU, 2011/65/EU&(EU)2015/863, 2000/14/EC amended by 2005/88/EC, 2014/53/EU

2000/14/EC amended by 2005/88/EC

- Conformity Assessment Procedure as per
- Measured Sound Power Level
- Declared Guaranteed Sound Power Level

Annex V
55.5 dB (A)
59 dB (A)

Standards conform to,

For Lawn mower: EN 50636-2-107:2015+A1:2018+A2:2020+A3:2021, EN 60335-1:2012+A11:2014+A13:2017+A1:2019+A2:2019+A14:2019+A15:2021, EN IEC 62311:2020, EN IEC 55014-1:2021, EN IEC 55014-2:2021, EN IEC 61000-3-2:2019+A1:2021, EN 61000-3-3:2013+A1:2019+A2:2021

For Ultrasonic module: EN 55011:2016+A11:2020

For 4G+GPS module: EN 301 489-1 V2.2.3, EN 301 489-19 V2.1.1, EN 301 489-52 V1.2.1, EN 301 511 V12.5.1, EN 301 908-1 V15.0.1, EN 301 908-13 V13.1.1, EN 303 413 V1.2.1

For charger: EN IEC 55014-1:2021, EN IEC 55014-2:2021, EN IEC 61000-3-2:2019+A1:2021, EN 61000-3-3:2013+A1:2019+A2:2021, EN IEC 60335-2-29:2021+A1:2021, EN 60335-1:2012+A11:2014+A13:2017+A1:2019+A2:2019+A14:2019+A15:2021, EN 62233:2008

For Noise: EN ISO 3744:1995

For RoHS: EN IEC 63000:2018

The person authorized to compile the technical file,

Name Marcel Filz

Address Positec Germany GmbH Postfach 680194, 50704 Cologne, Germany



2024/02/28

Allen Ding

Deputy Chief Engineer, Testing & Certification

Positec Technology (China) Co., Ltd.

18, Dongwang Road, Suzhou Industrial

Park, Jiangsu 215123, P. R. China

Produktsicherheit

Allgemeine Sicherheitshinweise für Elektrowerkzeuge



**WARNUNG: Lesen Sie alle
Sicherheitshinweise und**

Anweisungen. *Versäumnisse bei der
Einhaltung der Sicherheitshinweise und
Anweisungen können elektrischen Schlag,
Brand und/oder schwere Verletzungen
verursachen.*

**Lesen Sie die Bedienungsanleitung zum
sicheren Betrieb des Gerätes aufmerksam
durch.**

**Bewahren Sie alle Sicherheitshinweise und
Anweisungen für die Zukunft auf.**

- Dieses Gerät ist nicht zur Verwendung durch
Personen (einschließlich Kindern) vorgesehen,
die über reduzierte körperliche Eignung,
Wahrnehmung oder geistige Fähigkeiten,
Mangel an Erfahrung und Wissen verfügen,
sofern diese Personen nicht von einer
verantwortlichen Person beaufsichtigt oder
in der Verwendung des Gerätes unterwiesen
wurden.
- Kinder sollten grundsätzlich beaufsichtigt
werden, damit sie nicht mit dem Gerät
spielen.
- Dieses Gerät enthält Batterien, die nur von
Fachleuten ausgetauscht werden können.
WARNUNG: Verwenden Sie zum Aufladen
des Akkus nur das mit diesem Gerät
gelieferte abnehmbare Netzteil

18

De

WICHTIG VOR GEBRAUCH BITTE SORGFÄLTIG DURCHLESEN UND FÜR WEITERE FRAGEN AUFBEWAHREN

Sicherer Betrieb Training

- a) Die Anweisungen aufmerksam durchlesen.
Machen Sie sich mit den Bedienelementen
und dem vorschriftsmäßigen Gebrauch des
Rasenmähers vertraut.
- b) Niemals Kindern oder mit diesen
Anweisungen nicht vertrauten Personen
erlauben, den Rasenmäher zu benutzen.
Nationale Vorschriften können das Alter der
Bedienperson möglicherweise beschränken.
- c) Bedenken Sie, dass der Bediener oder
Benutzer bei Unfällen oder Gefährdungen

Vorbereitung

- a) Vergewissern Sie sich, dass die virtuelle
Begrenzung wie vorgeschrieben angelegt ist,
und sorgen Sie dafür, dass sie regelmäßig
auf den neuesten Stand gebracht wird. Vor
jedem Betriebsbeginn fährt das Gerät um
den Arbeitsbereich herum, um zu überprüfen,
ob die virtuelle Begrenzung vorhanden und
ordnungsgemäß angelegt ist. Sollte dies nicht
der Fall sein, stellt das Gerät den Betrieb
automatisch ein. Die virtuelle Begrenzung
definiert den Arbeitsbereich, in dem das Gerät
tätig werden darf. Die im Inneren des Geräts
verbaute RTK-Antenne erkennt, wenn sich
das Gerät der virtuellen Begrenzung nähert.
Stößt das Gerät auf ein Hindernis oder nähert
es sich der virtuellen Begrenzung, ändert es
automatisch seine Fahrtrichtung.
- b) Inspizieren Sie die Gegend, in der die
Ausrüstung eingesetzt werden soll, gründlich
und entfernen Sie alle Objekte, die durch die
Maschine aufgeschleudert werden könnten.
- c) Überprüfen Sie in regelmäßigen Abständen,
ob Messer, Messerschrauben und
Schneidbalken abgenutzt oder beschädigt
sind. Abgenutzte Messer und Schrauben nur
im ganzen Satz auswechseln, um Unwuchten
zu vermeiden.
- d) Achten Sie darauf, dass bei Geräten mit
mehreren Klingen ein Klingensatz durch den
anderen in Rotation versetzt werden kann.
- e) **WARNUNG!** Der Rasenmäher darf nicht
betrieben werden, wenn der Schutz nicht
angebracht ist.

Betrieb

1. Allgemeine Sicherheitshinweise

- a) Betreiben Sie das Gerät niemals mit
defektem Schutz oder ohne installierte
Sicherheitsvorrichtungen, wie etwa
Deflektoren;
- b) Hände und Füße nicht in die Nähe oder unter
rotierende Teile bringen. Halten Sie sich stets
von der Austrittsöffnung fern.
- c) Niemals den Rasenmäher bei laufendem
Motor anheben oder tragen.
- d) Betätigen Sie die Deaktivierungseinrichtung
des Geräts,
 - vor dem Beseitigen einer Verstopfung;
 - vor dem Überprüfen, Reinigen oder Arbeiten
am Gerät;
 - nach dem Auftreffen auf einen Fremdkörper,
ist das Gerät auf Schäden zu überprüfen;

- wenn das Gerät beginnt, ungewöhnlich zu vibrieren, und zur Überprüfung auf Beschädigungen vor der Wiederinbetriebnahme.
- e) Der ursprüngliche Zustand des Kress Mission™ RTKⁿ darf nicht modifiziert werden. Alle Änderungen erfolgen auf eigene Verantwortung.
- f) Starten Sie den Roboter-Rasenmäher gemäß Anweisungen. Achten Sie bei eingeschaltetem Gerät darauf, dass Ihre Hände und Füße nicht in die Nähe der rotierenden Messer kommen. Bringen Sie Ihre Hände und Füße niemals unter den Rasenmäher.
- g) Heben Sie den Mähroboter niemals an und tragen Sie ihn nicht, wenn er eingeschaltet ist.
- h) Erlauben Sie niemandem, der sich mit den Funktionen und Verhaltensmustern des Kress Mission™ RTKⁿ nicht auskennt, den Mäher zu benutzen.
- i) Keine Gegenstände auf den Kress Mission™ RTKⁿ oder seine Ladestation legen.
- j) Wenn der Messerteller oder das Gehäuse defekt ist, darf der Kress Mission™ RTKⁿ nicht in Betrieb genommen werden. Das gleiche gilt für defekte Messer, Schrauben, Muttern oder Kabel.
- k) Schalten Sie den Roboter-Rasenmäher stets aus, wenn dieser nicht verwendet wird. Der Mähroboter kann nur starten, wenn der Strom eingeschaltet ist und der korrekte PIN-Code eingegeben wurde.
- l) Halten Sie Hände und Füße von den rotierenden Rasenmäherklingen fern. Halten Sie mit Ihren Händen und Füßen stets einen sicheren Abstand zum Gehäuse ein, solange der Rasenmäher in Betrieb ist.
- m) Vermeiden Sie die Nutzung der Maschine und deren Peripheriegeräten bei schlechtem Wetter, besonders wenn die Gefahr eines Blitzschlags.
- n) Berühren Sie sich bewegende gefährliche Teile nicht, bevor diese vollständig zum Stillstand gekommen sind.
- o) Bei Maschinen, die in öffentlichen Bereichen verwendet werden, müssen diese Warnschilder um den Arbeitsbereich der Maschine angebracht werden. Sie sollen den Inhalt des folgenden Textes zeigen:
Warnung! Automatischer Rasenmäher!
Halten Sie sich von der Maschine fern!
Beaufsichtigen Sie Kinder!
- p) Um das Verletzungsrisiko zu vermeiden, bitte stoppen Sie den Rasenmäher und tragen Sie ihn zu einem anderen Rasen, der gemäht werden soll. Ziehen oder schleppen Sie den

Rasenmäher niemals im Betrieb, wenn Sie den zu mähenden Rasen wechseln.

2. Hinweis zum Automatikbetrieb des Roboters

- a) Den Kress Mission™ RTKⁿ niemals unbeaufsichtigt verwenden, wenn sich Personen – besonders Kinder – oder Haustiere in der Nähe aufhalten.

Wartung und Lagerung

 **WARNUNG! Falls der Mäher auf den Kopf gedreht werden soll, muss er immer ausgeschaltet sein.**

Bei allen Arbeiten am Untergestell des Mähers, z. B. beim Reinigen oder Auswechseln der Messer, muss er ausgeschaltet sein.

- a) Stellen Sie den festen Sitz aller Schrauben, Muttern und Bolzen sicher, um zu gewährleisten, dass sich der Rasenmäher in einem betriebssicheren Zustand befindet.
- b) Den Kress Mission™ RTKⁿ einmal pro Woche kontrollieren und eventuell beschädigte oder verschlissene Teile austauschen.
- c) Messer und Messerteller besonders sorgfältig auf Schäden untersuchen. Bei Bedarf alle Messer und Schrauben gleichzeitig austauschen, um eine Unwucht der rotierenden Teile zu vermeiden.
- d) Verwenden Sie beim Austausch nur Original Kress Messer.
- e) Verwenden Sie zum Laden des Akkus nur das vom Hersteller empfohlene Ladegerät. Eine nicht den Hinweisen entsprechende Verwendung kann zu einem Stromschlag, zur Überhitzung oder zum Auslaufen der Batterieflüssigkeit führen.
- f) Tritt Batterieflüssigkeit aus, beseitigen Sie sie mit Wasser und einem neutralen Reinigungsmittel. Kommt sie mit Augen etc. in Kontakt, suchen Sie sofort einen Arzt auf.
- g) Warten Sie den Roboter nach den Anweisungen des Herstellers.

Empfehlung

Schließen Sie die Maschine und/oder deren Peripheriegeräte nur an einen Speisestromkreis an, der über einen Fehlerstromschutzschalter (RCD) mit einem Auslösestrom von nicht mehr als 30 mA verfügt.

Restrisiken

Um Verletzungen zu vermeiden, tragen Sie beim Wechseln der Klingen Schutzhandschuhe.

Transport

Für längere Transporte legen Sie den Kress Mission™ RTKⁿ am besten in die Originalverpackung.

Für einen sicheren Transport vom oder innerhalb des Arbeitsbereichs:

- a) Drücken Sie die STOP -Taste, um den Mäher zu stoppen.
- b) Sie wählen den vierstelligen PIN aus, wenn Sie den Mäher das erste Mal benutzen.
- c) Schalten Sie den Roboter-Rasenmäher immer aus, wenn Sie diesen tragen möchten.
- d) Den Mäher an seinem Griff ganz hinten unten tragen. Halten Sie den Messerteller beim Tragen des Mähers vom Körper weg.

Anforderungen an die HF-Exposition

Um die Anforderungen an die HF-Exposition zu erfüllen, sollte während des Betriebs des Geräts ein Abstand von mindestens 200 mm zwischen diesem Gerät und Personen eingehalten werden. Um die Konformität zu gewährleisten, wird der Betrieb bei einem Abstand unter 200mm nicht empfohlen. Die für diesen Sender verwendete Antenne darf nicht zusammen mit einer anderen Antenne oder einem anderen Sender installiert werden.

20

De

Dies ist ein Gerät der Klasse III und darf nur mit Sicherheitskleinspannung entsprechend der Kennzeichnung auf dem Gerät betrieben werden.

Sicherheitshinweise bezüglich des Akkus im Werkzeug

- a) **Zellen bzw. Akku nicht zerlegen, öffnen oder zerdrücken.**
- b) **Akku nicht kurzschließen. Akkus nicht wahllos in einer Schachtel oder Schublade aufbewahren, wo sie einander kurzschließen oder durch andere leitfähige Materialien kurzgeschlossen werden könnten.** Bei Nichtverwenden des Akkus ist dieses von Metallgegenständen, wie etwa Büroklammern, Münzen, Nägeln, Schrauben oder anderen kleinen Metallgegenständen fernzuhalten, wo sich die Batterieklemmen berühren können. Das Kurzschließen der Batterieklemmen kann Verbrennungen bzw. einen Brand verursachen.
- c) **Zellen bzw. Akkus nicht Hitze oder Feuer aussetzen. Lagerung in direktem Sonnenlicht vermeiden.**
- d) **Akku nicht mechanischen Stößen aussetzen.**

- e) **Im Fall, dass Flüssigkeit aus dem Akku austritt, darf diese nicht in Kontakt mit der Haut oder den Augen kommen. Sollte dies dennoch geschehen, den betroffenen Bereich sofort mit viel Wasser spülen und einen Arzt aufsuchen.**
- f) **Akku sauber und trocken halten.**
- g) **Nur mit dem von Kress bezeichneten Ladegerät aufladen. Kein Ladegerät verwenden das nicht ausdrücklich für den Gebrauch mit dem Gerät vorgesehen ist.**
- h) **Keinen Akku verwenden der nicht für den Gebrauch mit dem Gerät vorgesehen ist.**
- i) **Akkus von Kindern fernhalten.**
- j) **Die originalen Produktunterlagen zum späteren Nachschlagen aufbewahren.**
- k) **Ordnungsgemäß entsorgen.**
- l) **Mischen Sie im Gerät keine Batterien unterschiedlicher Herstellung, Kapazität, Größe oder Art.**
- m) **Halten Sie den Akku von Mikrowellen und hohem Druck fern.**
- n) **Warnung! Verwenden Sie keine nicht wiederaufladbaren Batterien.**

Anforderungen an die Bedienungsanleitung für akkubetriebene Geräte

- a) Der Betrieb dieses Geräts unterliegt den folgenden zwei Bedingungen:
 - (1) Dieses Gerät darf keine schädlichen Interferenzen verursachen und
 - (2) dieses Gerät muss störsignalfest sein, einschließlich der Störungen, die einen unerwünschten Betrieb verursachen können.
- b) Achtung: Änderungen oder Modifikationen an diesem Gerät, die nicht ausdrücklich von der für die Einhaltung der Vorschriften verantwortlichen Partei genehmigt wurden, können dazu führen, dass der Benutzer die Berechtigung zum Betrieb des Geräts verliert.
- c) HINWEIS: Dieses Gerät verursacht und verwendet Hochfrequenzenergie und kann diese ausstrahlen. Falls es nicht entsprechend den Anweisungen installiert und verwendet wird, kann es störende Interferenzen beim Funkverkehr hervorrufen. Es gibt jedoch keine Garantie, dass in einer bestimmten Installation keine Störungen auftreten. Falls dieses Gerät Störungen des Radio- oder Fernsehempfangs verursacht, was durch Ein- und Ausschalten des Geräts festgestellt werden kann, sollte der Nutzer versuchen, die Störungen durch eine oder mehrere der folgenden Maßnahmen zu

beheben:

- Richten Sie die Empfangsantenne neu aus oder verlegen Sie sie.
- Vergrößern Sie den Abstand zwischen dem Gerät und dem Empfänger.
- Schließen Sie das Gerät an einen anderen Stromkreis an als den, an den der Empfänger angeschlossen ist.
- Wenden Sie sich an den Händler oder einen erfahrenen und geschulten Radio/TV-Fachmann, um Hilfe zu bekommen.

Symbols



WARNUNG–Rasenmäheroboter können bei unsachgemäßer Verwendung gefährlich sein. Lesen Sie die Bedienungsanleitung sorgfältig durch und verstehen Sie deren Inhalt, bevor Sie Ihren Rasenmäheroboter betreiben.



WARNUNG- Halten Sie einen Sicherheitsabstand wenn der Roboter-Rasenmäher in Betrieb ist.



WARNUNG – Betätigen Sie die Deaktivierungsvorrichtung, bevor Sie am Gerät arbeiten oder die Maschine anheben.



WARNUNG – RASENMÄHROBOTER darf nicht als Transportmittel missbraucht werden.



Gerät der Klasse III



Elektroprodukte dürfen nicht mit dem normalen Haushaltsmüll entsorgt werden, sondern sollten nach Möglichkeit zu einer Recyclingstelle gebracht werden. Ihre zuständigen Behörden oder Ihr Fachhändler geben Ihnen hierzu gerne Auskunft.



Lithium-Ionen-Akku: Dieses Produkt wurde mit einem Symbol markiert, das sich auf die 'gesonderte Sammlung' aller Akkupacks und Akkus bezieht. Es wird anschließend recycelt oder demontiert, um die Beeinträchtigung der Umwelt zu verringern. Akkupacks können die Umwelt und menschliche Gesundheit beeinträchtigen, da diese schädliche Substanzen enthalten.



Nicht im Feuer entsorgen



Wenn die Batterie unsachgemäß behandelt wird, kann sie in den Wasserkreislauf gelangen, was für das Ökosystem schädlich sein kann. Entsorgen Sie Altbatterien nicht über den Hausmüll.



Waschen Sie das Gerät nicht mit einem Hochdruckreiniger.

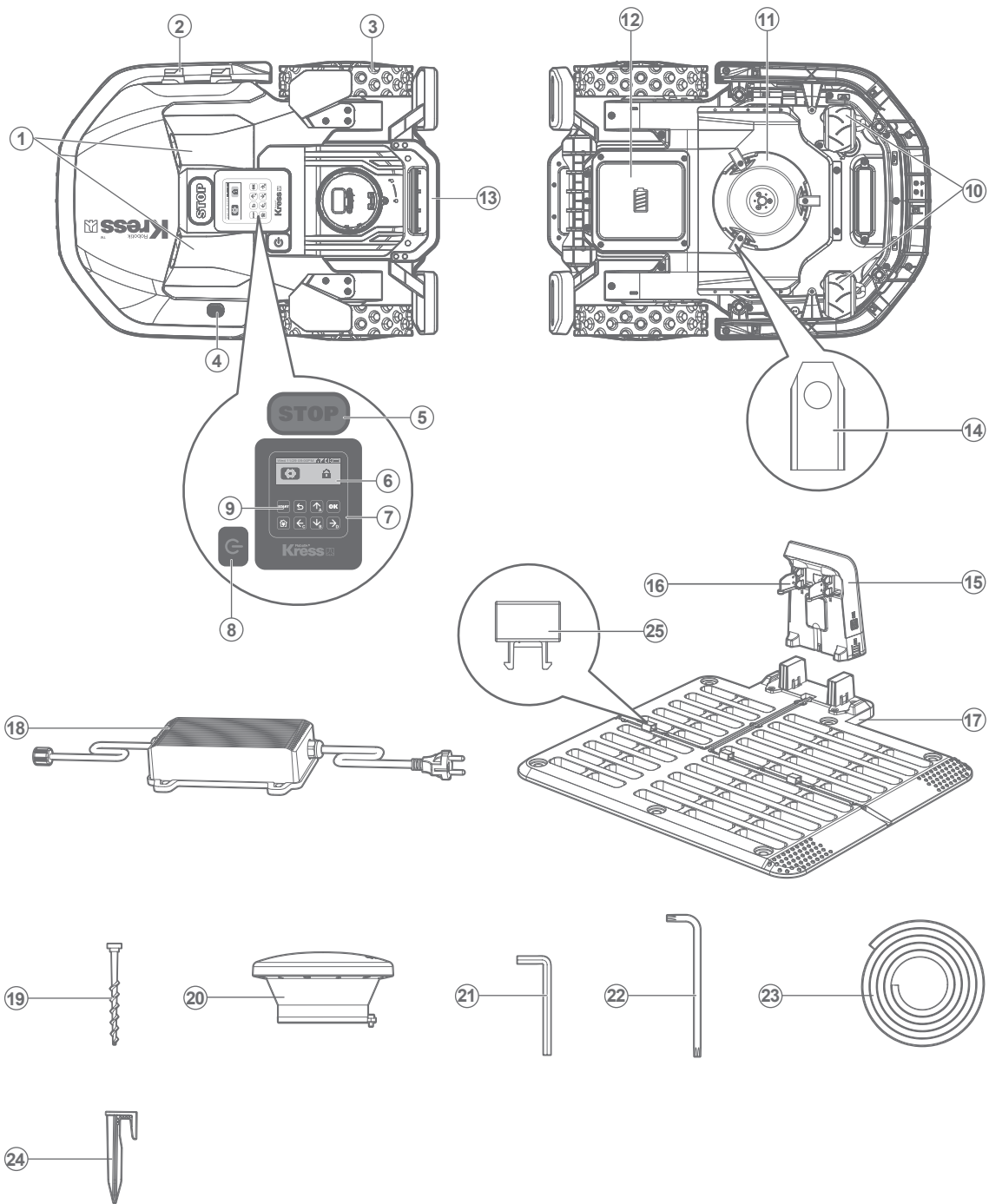


Lesen Sie die Bedienungsanleitung



Abnehmbare Versorgungseinheit

Komponenten



- | | |
|---|--|
| 1. Ultraschallsensor (nur für KR160E.A, KR161E, KR171E) | 14. Messer |
| 2. Ladestreifen | 15. Ladesäule |
| 3. Hinteres antriebsrad | 16. Kontakte |
| 4. Regensensor | 17. Ladestation |
| 5. Stopptaste | 18. Netzteil |
| 6. Anzeige | 19. Ladestation-befestigungsschrauben |
| 7. Tastenfeld | 20. RTK-Antenne |
| 8. Ein/aus-taste | 21. Inbusschlüssel |
| 9. Start-taste | 22. Schraubenschlüssel für RTK-Antenne |
| 10. Vorderrad | 23. Magnetstreifen |
| 11. Messerteller | 24. Heringe |
| 12. Akku * | 25. Schnalle |
| 13. Griff | |

* **Abgebildetes oder beschriebenes Zubehör gehört teilweise nicht zum Lieferumfang.**

Technische daten

Typ **KR160E KR160E.A KR161E KR171E (100-199 - Bezeichnung der Maschine, repräsentiert den Rasenmäroboter)**

	KR160E	KR160E.A	KR161E	KR171E
Nennleistung	20V \equiv Max.*			
Leerlaufdrehzahl	2700/min			
Schneidebereich **	600 m ²		1000 m ²	1500 m ²
Schnittbreite	20 cm			
Schnitthöhe	30-60 mm			
Anzahl der Schnitthöhen	7			
Batterietyp	Lithium-ion			
Akkumodell	KA3024			
Ladezeit Ca.	180 min			
Ladegerätmodell	KA0200 / KA0201			
Leistung des Ladegeräts	Eingang: 100-240 V~50/60 Hz, 38 W, Ausgang: 20 V, 1.5 A			
Gewicht	12 kg		12.2 kg	
Schutzklasse	III			
App	Y			
Maximale Neigung der Arbeitsfläche	40%			

* Spannung ohne Arbeitslast gemessen. Die anfängliche Akkuspannung erreicht maximal 20 Volt. Die Nennspannung liegt bei 18 Volt.

** Die gesamte Mähfläche aller aktiven Voreinstellungen sollte nicht über die empfohlene Flächengröße liegen. Die überschrittene Fläche kann dem Mäher nicht zugewiesen werden.

Technische Daten für Antenne

Nennspannung	5V±2%		
Betriebstemperatur	-40°C~85°C		
Lagertemperatur	-40°C~85°C		
Band	Tx(Mhz)	Rx(Mhz)	HF-Sendeleistung (Max)
GSM900(B8)	880-915	925-960	33dBm
DCS1800(B3)	1710-1785	1805-1880	30dBm
WCDMA B1	1920-1980	2110-2170	24dBm
WCDMA B8	880-915	925-960	24dBm
LTE-FDD B1	1920-1980	2110-2170	23dBm
LTE-FDD B3	1710-1785	1805-1880	23dBm
LTE-FDD B7	2500-2570	2620-2690	23dBm
LTE-FDD B8	880-915	925-960	23dBm
LTE-FDD B20	832-862	791-821	23dBm
LTE-FDD B28	703-748	758-803	23dBm
LTE-TDD B38	2570-2620	2570-2620	23dBm
LTE-TDD B40	2300-2400	2300-2400	23dBm

24
De

Technische Daten für 4G-GPS

4G-Modul –GNSS	GNSS GPS Band L1	1575.42+/-1.023
	Calileo-Band E1	1575.42+/-1.023
	BDS Band E11	1561.098+/-2.046
	GLONASS Band G1	1579.5~1605.8

Informationen über Lautstärke

	KR160E KR160E.A KR161E KR171E
Gewichteter Schalldruck	$L_{pA} = 47.5 \text{ dB (A)}, K_{pA} = 3.0 \text{ dB(A)}$

Gewichtete Schallleistung

$L_{WA} = 55.5 \text{ dB (A)}$, $K_{WA} = 3.0 \text{ dB(A)}$

Tragen Sie einen Schallschutz bei einem Schalldruck über

80dB(A) 

Eine gewisse Geräuschentwicklung der Maschine ist unvermeidlich. Die Durchführung geräuschintensiver Arbeiten benötigt eine Zulassung und muss in bestimmten Zeiten eingeschränkt werden. Halten Sie Ruhephasen ein und beschränken Sie die Arbeitsstunden auf ein Minimum. Zu Ihrem eigenen Schutz und den von Personen, die sich in der Nähe befinden, muss ein geeigneter Gehörschutz getragen werden.

Zubehörteile

	KR160E	KR160E.A	KR161E	KR171E
Schrauben für Montage der Klingen	9	9	9	9
Ladestation	1	1	1	1
Fixierungsnägel für Ladestation	6	6	6	6
Inbusschlüssel	1	1	1	1
Schraubenschlüssel für RTK-Antenne	1	1	1	1
Magnetstreifen	1	1	1	1
Messgerät	2	2	2	2
Messer	9	9	9	9
RTK-Antenne	1	1	1	1
Heringe	16	16	16	16
Akkupack (KA3024)	1	1	1	1
Lader (KA0200/KA0201)	1	1	1	1

25

De

Wir empfehlen Ihnen, sämtliche Zubehörteile beim selben Fachhändler zu beziehen, bei dem Sie auch Ihr Elektrowerkzeug oder Gartengerät gekauft haben. Weitere Informationen finden Sie auf der Verpackung der Zubehörteile. Auch Ihr Fachhändler berät Sie gerne.

Bestimmungsgemäßer Gebrauch

Dieses Produkt ist bestimmt für das Rasenmähen im privaten Bereich. Er ist zum häufigen Mähen bestimmt – er hält Ihren Rasen gesund und dieser wird gepflegter aussehen als je zuvor. Je nach Größe des Rasens kann der Mission™ RTKⁿ so programmiert werden, dass er zu jeder beliebigen Zeit und mit jeder beliebigen Frequenz uneingeschränkt arbeitet. Es ist nicht zum Graben, Reinigen oder Schneeräumen konzipiert.

Wartung

Ihr Mission™ RTKⁿ muss hin und wieder überprüft werden. Der Mission™ RTKⁿ arbeitet hart und verdient daher von Zeit zu Zeit eine ordentliche Reinigung oder einen Austausch von Verschleißteilen. Verwenden Sie niemals Ihren Mission™ RTKⁿ, wenn der Ein/Aus Schalter defekt ist.

Schalten Sie die Maschine aus, ehe Sie jegliche Reparatur- oder Wartungsarbeiten ausführen.

1

Immer schön scharf

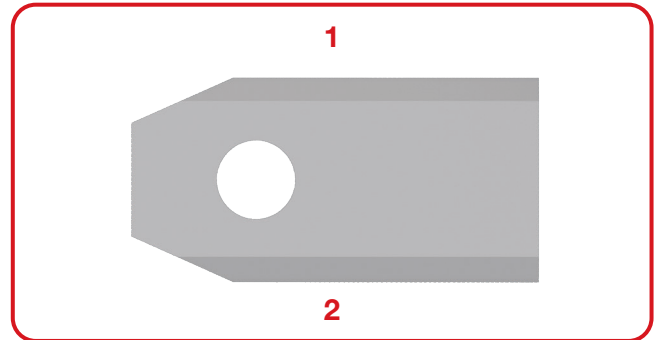


WARNUNG: Bevor Sie den Mission™ RTKⁿ reinigen, einstellen oder die Messer auswechseln, schalten Sie Ihren Mission™ RTKⁿ AUS und ziehen Sie Schutzhandschuhe an.



WARNUNG: Beim Austausch der Messer Wechslen Sie bei einem Austausch unbedingt grundsätzlich alle Messer auf einmal. Verwenden Sie beim Fixieren der Messer stets neue Schrauben. Das ist wichtig, um den Klingenhalt sicherzustellen und die Klingendrehscheibe auszuwuchten. Falls Sie keine neuen Schrauben verwenden, kann dies zu schweren Verletzungen führen.

Der Mission™ RTKⁿ schneidet Gras nicht wie andere Rasenmäher. Seine Messer sind an 2 Kanten rasiermesserscharf und wirbeln zum perfekten Schnitt in beide Richtungen. Das überarbeitete Klingprofil verhindert effektiver, dass sich Grasschnitt in dem Spalt zwischen Drehteller und Klinge verfängt. Und dank des neuen Werkstoffs konnte eine im Vergleich zu anderen Marken deutlich längere Lebensdauer der Mähklingen (täglicher Mähbetrieb) erzielt werden. Schauen Sie immer nach, ob die Messer angeschlagen oder anderweitig beschädigt sind; falls ja, wechseln Sie die Messer aus. Wenn die Messer stumpf und verschlissen sind, sollten sie durch die Ersatzmesser ersetzt werden, die mit Ihrem Mission™ RTKⁿ geliefert wurden. Ersatzmesser erhalten Sie auch beim Kress-Händler in Ihrer Nähe.



A. Messer austauschen

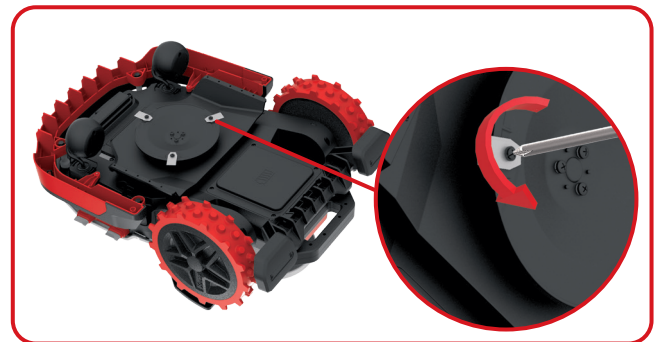
26

De

Normalerweise müssen die Klingen Ihres Mission™ RTKⁿ jeden Monat gewendet und jede Woche ausgetauscht werden, Sie können die Häufigkeit des Klingenwechsels an die Rasenschnittqualität anpassen. Tauschen Sie also unbedingt immer alle Messer auf einmal aus. Zum Austausch können Sie einen der Ersatzmessersätze und die zusätzlichen Messerschrauben verwenden, die mit Ihrem Mission™ RTKⁿ geliefert wurden.

Vor dem Austausch der Messer schalten Sie den Mission™ RTKⁿ unbedingt ab und ziehen Schutzhandschuhe über! Dann führen Sie diese Schritte aus:

1. Drehen Sie den Mission™ RTKⁿ sanft auf den Rücken.
2. Entfernen Sie die Batterieabdeckung und entnehmen Sie den Akku.
3. Lösen Sie die Messerschrauben mit einem Schlitz- oder schraubendreher.
4. Schrauben Sie die neuen Messer gut fest.
5. Setzen Sie den Akku ein, und bringen Sie die Batterieabdeckung wieder an.



Wichtig: Überzeugen Sie sich nach dem Verschrauben der Messer, dass sich diese frei drehen lassen.

2

Sauber halten

! **WARNUNG:** Bevor Sie Ihren Mission™ RTKⁿ reinigen, schalten Sie ihn AUS. Ziehen Sie Schutzhandschuhe über, bevor Sie die Messerscheibe reinigen; nutzen Sie dazu kein fließendes Wasser.

! **WARNUNG!** IHR Mission™ RTKⁿ kann nur mit einem Schlauch gewaschen werden! Verwenden Sie KEINEN Hochdruckreiniger an Ihrem Mission™ RTKⁿ. Hochdruckwasser kann in die Dichtungen eindringen und elektronische und mechanische Teile beschädigen.

A. Gehäuse reinigen

Ihr Mission™ RTKⁿ fühlt sich deutlich wohler und lebt länger, wenn Sie ihn regelmäßig reinigen. Da Ihr Mission™ RTKⁿ im Grunde ein Elektrogerät ist, müssen Sie beim Reinigen mit einer gewissen Sorgfalt vorgehen. Schlauchwasserreinigung unterstützen. greifen Sie am besten zu einer mit Wasser gefüllten Sprühflasche. Reinigen Sie das Kunststoffgehäuse mit einer weichen Bürste oder einem Tuch, verzichten Sie auf Lösungsmittel und Polituren. Achten Sie gut darauf, dass sämtliche Grasreste und sonstige Rückstände gründlich entfernt werden.

B. Unterseite reinigen

Nicht vergessen, ganz wichtig: Schalten Sie den Mission™ RTKⁿ ab und **ziehen Sie Schutzhandschuhe über, bevor Sie den Messerteller berühren!** Drehen Sie zuerst Ihren Mission™ RTKⁿ um. Nun sehen Sie den Messerteller, den umgebenden Motorgehäuserahmen sowie die Vorderräder und Antriebsräder. Reinigen Sie alles gründlich mit einer weichen Bürste oder mit einem feuchten Lappen. Unterstützung der Schlauchwasserreinigung.

Drehen Sie das Schneidrad um sicherzustellen, dass es frei dreht. Prüfen Sie, dass sich die Klingen problemlos um die Maschine lässt. Befestigungsschrauben drehen. Beseitigen Sie alle Hindernisse.

Wichtig: Entfernen Sie sämtliche (auch die kleinsten) Rückstände, damit es nicht zu Rissen in der Messerscheibe kommt. Auch der winzigste Riss kann die Mähleistung Ihres Mission™ RTKⁿ beeinträchtigen.



C. Kontakte und Ladestreifen reinigen

Reinigen Sie die Kontakte an der Ladestation und den Ladestreifen am Mission™ RTKⁿ mit einem Tuch. Entfernen Sie sämtliche Grasreste und sonstige Rückstände rund um die Kontakte und Ladestreifen regelmäßig, damit sich der Mission™ RTKⁿ stets problemlos aufladen kann.

3

Akkulaufzeit und -haltbarkeit

Das Herzstück des Mission™ RTKⁿ ist seine 20V-Lithiumbatterie. Für eine ordnungsgemäße Lagerung des Akkus ist sicherzustellen, dass er voll aufgeladen an einem, trockenen Ort (-20°C~+60°C) aufbewahrt wird.

HINWEIS: Die empfohlene Betriebstemperatur des Mission™ RTKⁿ liegt zwischen 0-55°C.

Die Lebenserwartung des Mission™ RTKⁿ-Akkus hängt von unterschiedlichen Faktoren ab; beispielsweise:

- Dauer der Schönwettersaison (der „Mähseason“) an Ihrem Wohnort.
- Mission™ RTKⁿ-Arbeitsstunden pro Tag
- Art und Weise der Akkulagerung

Der Akku des Mission™ RTKⁿ kann auch per Hand aufgeladen werden.

1. Schließen Sie die Ladestation an eine geeignete Stromversorgung an. Die grüne Lampe der Ladestation erleuchtet grün.
2. Docken Sie den Mission™ RTKⁿ manuell an die Ladestation an, während der Mission™ RTKⁿ ausgeschaltet ist.
3. Die grüne LED auf der Ladestation blinkt. Der Mission™ RTKⁿ beginnt mit dem Ladevorgang.



4

Überwintern

Ihr Mission™ RTKⁿ lebt länger und gesünder, wenn Sie ihm einen wohlverdienten Winterschlaf gönnen. Obwohl der Mission™ RTKⁿ ein zäher Bursche ist, sollten Sie ihm im Winter einen Platz im Schuppen oder in der Garage zugestehen.

28

De

Bevor Sie Ihren Mission™ RTKⁿ in den Winterschlaf entlassen, sollten Sie noch Folgendes erledigen:

- Reinigen Sie Ihren Mission™ RTKⁿ gründlich.
- Laden Sie den Akku komplett auf.
- Schalten Sie das Gerät ab.

Zum Maximieren der Lebensdauer des Akkus wird empfohlen, den Akku vor dem Lagern im Winter voll aufzuladen.

! WARNUNG: Schützen Sie die Unterseite des Mission™ RTKⁿ vor Wasser. Lagern Sie den Mission™ RTKⁿ NIEMALS draußen falsch herum.

HINWEIS: Wenn Sie den Mission™ RTKⁿ wieder aus seinem Winterschlaf erwecken, sorgen Sie dafür, dass die Ladestreifen und die Kontaktstreifen gründlich sauber sind; dies können Sie mit feinem Schleifpapier erledigen. Stellen Sie mit der App sicher, dass Datum und Uhrzeit korrekt sind, und schicken Sie den Mission™ RTKⁿ zurück zu der Aufgabe, die er liebt: Mähen.

5

Akku austauschen

! WARNUNG: Schalten Sie das Gerät unbedingt mit der Ein-/Austaste aus, bevor Sie sich Einstellungen, Austausch oder Reparatur zuwenden! Bevor Sie die Messer auswechseln, schalten Sie Ihren Mission™ RTKⁿ AUS und ziehen Sie Schutzhandschuhe an.

Möchten Sie den Akku austauschen oder ersetzen, führen Sie die nachstehend aufgeführten Schritte aus:

1. Drehen Sie Ihren Mission™ RTKⁿ sanft auf den Rücken.
2. Lösen Sie die Schrauben an der Abdeckung.



Entfernen Sie die Abdeckung des Batteriefachs.

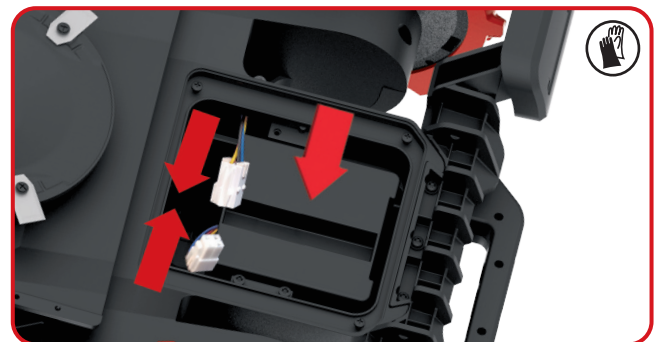
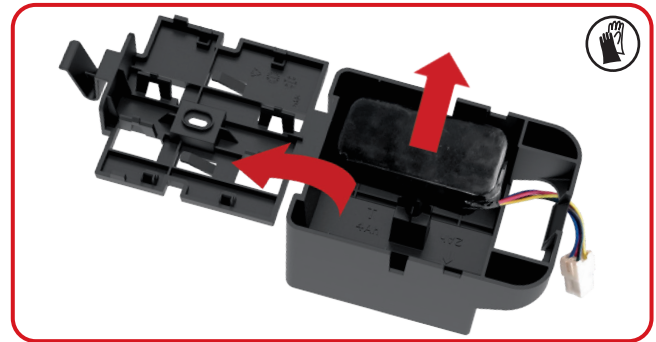
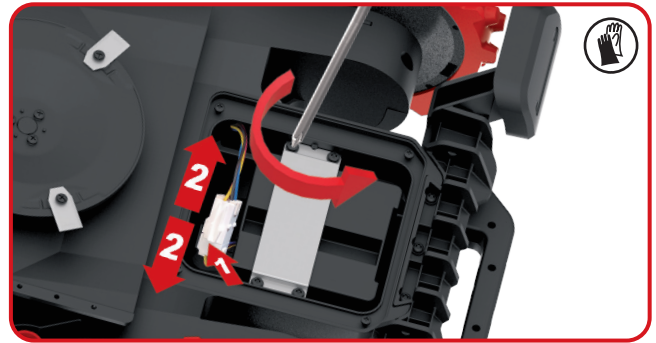
3. Lösen Sie nun die Schrauben der Metallhalterung. Entfernen Sie die Metallhalterung.
4. Drücken Sie auf die Verriegelung und trennen Sie wie in der Abbildung gezeigt die Steckverbindung. Entnehmen Sie anschließend vorsichtig das Gehäuse des Akkus.

HINWEIS: Nicht an den Drähten ziehen. Halten Sie die Verbindungen fest und lösen Sie den Riegel.

5. Öffnen Sie dann das Gehäuse und nehmen Sie vorsichtig den Akku heraus. Ersetzen Sie den alten Akku durch einen neuen desselben Typs.

6. Setzen Sie das Gehäuse mit dem Akku wieder ein und verbinden Sie die Stecker. Refit the sheet metal.

7. Platzieren Sie die Abdeckung erneut in ihre Position und ziehen Sie die Schrauben gut an.




Fehlerbehebung

Falls Ihr Mission™ RTKⁿ nicht richtig arbeiten sollte, schauen Sie sich bitte die nachstehende Anleitung zur Problemlösung an.

Symptom	Ursache	Abhilfemaßnahme
Die LED-Ladeanzeige an der Ladestation schaltet sich nicht ein.	Die Ladestation wird nicht mit Strom versorgt.	Sorgen Sie dafür, dass das Ladegerät ordnungsgemäß an die Ladestation und an eine funktionierende Netzsteckdose angeschlossen ist.
Der Mission™ RTK ⁿ ist nicht in der Lage, ordnungsgemäß an die Ladestation anzudocken.	Der Magnetstreifen ist nicht ordnungsgemäß an der Ladestation angebracht.	Sorgen Sie dafür, dass der Magnetstreifen ordnungsgemäß an der Ladestation angebracht ist. Bei korrekter Anbringung zeigt der grüne Streifen des Magnetstreifens von der Ladestation weg.
Das Gerät kehrt nicht zur Ladestation zurück, obwohl die Akkukapazität zur Neige geht.	Der Aufstellungsort der Ladestation ist nicht auf der virtuellen Karte eingezeichnet.	Rufen Sie die virtuelle Karte auf und fügen Sie den Aufstellungsort der Ladestation hinzu.
	Die Länge des an der Ladestation angebrachten Magnetstreifens beträgt weniger als 2,5 m.	Sorgen Sie dafür, dass die Länge des an der Ladestation angebrachten Magnetstreifens mindestens 2,5 m beträgt.
Wenn der Mission™ RTK ⁿ bergab fährt, überschreitet er die Begrenzungslinie.	Das Gefälle in Richtung der Begrenzungslinie ist zu groß.	Versuchen Sie, Begrenzungslinien nicht auf Ebenen anzulegen, die ein starkes Gefälle aufweisen.
Nach der Inbetriebnahme des Mission™ RTK ⁿ und der Betätigung der Start-Taste nimmt das Gerät nicht den Betrieb auf.	Der Mission™ RTK ⁿ befindet sich außerhalb des Arbeitsbereichs.	Bringen Sie den Mission™ RTK ⁿ wieder in seinen Arbeitsbereich zurück.
	Das Ortungssignal ist schwach bzw. schlecht.	Suchen Sie einen geeigneten Platz im offenen Gelände, warten Sie, bis die LED-Ortungsanzeige grün zu leuchten beginnt, und drücken Sie dann die Start-Taste.
Der Mission™ RTK ⁿ löst keinen Alarm aus, wenn er sich außerhalb des angelegten Arbeitsbereichs befindet.	Die auf dem Mission™ RTK ⁿ installierte Softwareversion ist nicht mehr aktuell.	Aktualisieren Sie die auf dem Mission™ RTK ⁿ installierte Softwareversion.
	Der Mission™ RTK ⁿ ist ausgeschaltet.	Schalten Sie den Mission™ RTK ⁿ ein.
Der Mission™ RTK ⁿ hat sich in der Mitte eines Hindernisses festgefahren.	Die Hindernisse im Arbeitsbereich des Mission™ RTK ⁿ sind relativ klein, wodurch sich das Gerät zwar leicht darin festfährt, jedoch nicht wieder selbstständig herauskommt.	Definieren Sie die Bereiche, in denen sich der Mission™ RTK ⁿ leicht festfährt, als nicht zu befahrende Sperrzonen.
	Der Sensor des Mission™ RTK ⁿ weist eine Betriebsstörung auf.	Rufen Sie in der App die Diagnoseseite des Mission™ RTK ⁿ auf und überprüfen Sie den Status des Sensors.
Die Logdatei kann nicht gelesen werden.	Der USB-Datenträger ist nicht im FAT32-Format formatiert.	Formatieren Sie den USB-Datenträger im Format FAT32.

Der Mission™ RTK ⁿ ist an einer Wand zum Stehen gekommen, kann nicht gestartet werden und weist eine rot leuchtende LED-Ortungsanzeige auf.	Arbeitet der Mission™ RTK ⁿ über einen zu langen Zeitraum im Schatten, wird der Schutzmechanismus ausgelöst.	Achten Sie darauf, dass der Mission™ RTK ⁿ den Mähbetrieb nicht über einen zu langen Zeitraum in schattigen Bereichen ausführen muss.
	Im Arbeitsbereich befinden sich zu viele Mauern oder Bäume, die das Ortungssignal beeinträchtigen.	

Umweltschutz

 Elektroprodukte dürfen nicht mit dem normalen Haushaltsmüll entsorgt werden, sondern sollten nach Möglichkeit zu einer Recyclingstelle gebracht werden. Bitte erkundigen Sie sich bei der örtlichen Behörde oder beim Vertragshändler über Müllsammlung und -Entsorgung.

Konformitätserklärung

Wir,
Positec Germany GmbH
Postfach 680194, 50704 Cologne, Germany

Erklären im Namen von Positec, dass das Produkt
Beschreibung **Roboter-Rasenmäher**

Typ **KR160E KR160E.A KR161E KR171E (100-199-Bezeichnung der Maschine, Repräsentant der Roboter-Rasenmäher) (Jahr, Artikelnummer und Monat der Seriennummer sind auf der Rückseite angegeben. Die vollständige Seriennummer ist auf dem Gehäuse des Rasenmähers deutlich sichtbar aufgedruckt) mit Batterieladegerät KA0200 / KA0201 und Ladestation KA0074**

Funktion **Grasschnitt**

den Bestimmungen der folgenden Richtlinien entspricht:

2006/42/EC, 2014/30/EU, 2014/35/EU, 2011/65/EU&(EU)2015/863, 2000/14/EC geändert durch 2005/88/EC, 2014/53/EU

2000/14/EC geändert durch 2005/88/EC

- Konformitätsbewertungsverfahren nach
- Gemessene Schalleistung
- Garantierte Schalleistung

Annex V
55.5 dB (A)
59 dB (A)

Normen,

Für batteriebetriebenen Roboter-Rasenmäher: EN 50636-2-107:2015+A1:2018+A2:2020 +A3:2021, EN 60335-1:2012+A11:2014+A13:2017+A1:2019+A2:2019+A14:2019+A15:2021, EN IEC 62311:2020, EN IEC 55014-1:2021, EN IEC 55014-2:2021, EN IEC 61000-3-2:2019+A1:2021, EN 61000-3-3:2013+A1:2019+A2:2021

Für Ultraschallmodul: EN 55011:2016+A11:2020

Für 4G+GPS-Modul: EN 301 489-1 V2.2.3, EN 301 489-19 V2.1.1, EN 301 489-52 V1.2.1, EN 301 511 V12.5.1, EN 301 908-1 V15.0.1, EN 301 908-13 V13.1.1, EN 303 413 V1.2.1

Für Ladegerät: EN IEC 55014-1:2021, EN IEC 55014-2:2021, EN IEC 61000-3-2:2019+A1:2021, EN 61000-3-3:2013+A1:2019+A2:2021, EN IEC 60335-2-29:2021+A1:2021, EN 60335-1:2012+A11:2014+A13:2017+A1:2019+A2:2019+A14:2019+A15:2021, EN 62233:2008

Für Lärm: EN ISO 3744:1995

Für RoHS: EN IEC 63000:2018

Zur Kompilierung der technischen Datei ermächtigte Person,

Name Marcel Filz

Address Positec Germany GmbH Postfach 680194, 50704 Cologne, Germany

2024/02/28

Allen Ding

Stellvertretender Chefsingenieur, Prüfung und Zertifizierung

Positec Technology (China) Co., Ltd.

18, Dongwang Road, Suzhou Industrial

Park, Jiangsu 215123, P. R. China

Les utilisateurs peuvent consulter les instructions électroniques à l'adresse <https://www.kress.com/en/>.

Sécurité du produit

Mises en garde générales et complémentaires



ATTENTION : Lisez toutes les mises en garde et toutes les instructions. Le

non-respect des mises en garde et des instructions peut être à l'origine d'électrocutions, d'incendies et/ou de blessures graves.

Lisez attentivement le manuel d'utilisation afin d'utiliser l'appareil d'une manière sécurisée.

Gardez le mode d'emploi et les mises en garde pour pouvoir vous y référer ultérieurement.

- Cet appareil n'est pas conçu pour être utilisé par des personnes aux capacités physiques, mentales, sensorielles réduites, ou manquant d'expérience et de connaissances (y compris les enfants), sauf si une personne responsable de leur sécurité leur a donné les indications nécessaires ou les surveille pendant l'utilisation.
- Il convient de surveiller les enfants pour s'assurer qu'ils ne jouent pas avec l'appareil.
- Cet appareil contient des batteries qui peuvent être remplacées uniquement par des personnes qualifiées.
AVERTISSEMENT: Pour recharger la batterie, utilisez uniquement l'unité d'alimentation amovible avec cet appareil.

IMPORTANT

LISEZ ATTENTIVEMENT LE MODE D'EMPLOI AVANT D'UTILISER L'APPAREIL CONSERVEZ-LE POUR RÉFÉRENCE ULTÉRIEURE

Pratiques de travail sûres Apprentissage

- a) Lisez attentivement le mode d'emploi. Vous devez impérativement comprendre les instructions et vous familiariser avec les contrôles et le mode d'utilisation de l'appareil.
- b) Ne laissez en aucun cas l'appareil à un enfant ou à une personne n'ayant pas pris connaissance du mode d'emploi. Les réglementations locales définissent parfois des limites d'âge pour l'utilisateur.
- c) L'utilisateur est responsable des accidents

et des dommages causés à d'autres personnes ou à leurs biens.

Préparation

- a) Assurez-vous que la limite virtuelle est établie selon les instructions et qu'elle est régulièrement entretenue. Avant chaque cycle de travail, la machine parcourt la zone de travail pour vérifier la présence de la limite virtuelle, si elle n'existe pas, la machine s'arrêtera. La limite virtuelle indique la zone de travail où la machine peut intervenir. L'antenne RTK située dans la machine détecte si la machine s'approche de la limite virtuelle. Lorsque la machine touche un obstacle ou s'approche de la limite virtuelle, le produit sélectionne une nouvelle direction.
- b) Inspectez régulièrement la zone où l'appareil doit être utilisé et enlevez toutes les pierres, tous les bâtons, câbles, os et autres objets étrangers.
- c) Procédez régulièrement à un examen visuel des lames, des boulons de lame et de l'unité de coupe pour vous assurer qu'ils ne sont ni usés, ni endommagés. Afin de préserver l'équilibre de la machine, changez toujours les lames et leurs boulons en même temps.
- d) Sur les appareils comportant plusieurs arbres, veuillez noter que la rotation d'une lame peut entraîner la rotation des autres lames.
- e) ATTENTION: Ne faites jamais fonctionner l'appareil si l'une de ses protections est défectueuse ou si l'un de ses dispositifs de sécurité n'est pas en place.

Utilisation

1. Généralités

- a) Ne faites jamais fonctionner l'appareil si l'une de ses protections est défectueuse ou si l'un de ses dispositifs de sécurité n'est pas en place (ex: les déflecteurs).
- b) N'approchez jamais les mains ou les pieds des parties rotatives, et ne les mettez jamais sous l'appareil. Ne vous mettez jamais en travers de l'ouverture d'évacuation.
- c) Ne soulevez jamais et ne portez jamais une tondeuse dont le moteur est en marche.
- d) Actionnez le dispositif de désactivation de l'appareil.
 - Avant de le débloquer;
 - Avant d'inspecter, de nettoyer ou de travailler sur l'appareil;
 - Après avoir heurté un objet, inspectez la machine à la recherche de dommages;
 - Si la machine commence à vibrer de

manière anormale, inspectez-la à la recherche de dommages avant de la redémarrer.

- e) Il n'est pas permis de modifier le design d'origine du robot tondeuse. Toute modification effectuée est à vos risques et périls.
- f) Démarrer la tondeuse à gazon robotique conformément aux instructions. Lorsque l'appareil est sous tension, n'approchez pas vos mains et vos pieds des lames en rotation. Ne jamais mettre vos mains ou pieds sous la tondeuse.
- g) Ne soulevez jamais la tondeuse à gazon robotisée et ne la transportez jamais lorsque l'appareil est sous tension.
- h) Ne laissez en aucun cas la tondeuse à une personne non familiarisée avec l'appareil et son mode d'utilisation.
- i) Ne posez jamais des objets sur le robot ou sur le socle de recharge.
- j) Ne faites jamais fonctionner le robot si le boîtier ou l'une des lames sont endommagés. L'appareil ne doit pas être utilisé si les lames, les vis, les écrous ou les câbles sont endommagés.
- k) Toujours éteindre la tondeuse à gazon robotique lorsque vous n'avez pas l'intention de l'utiliser. La tondeuse à gazon robotisée ne peut démarrer que lorsque l'appareil est sous tension et que le code PIN a été correctement saisi.
- l) Maintenez vos mains et pieds éloignés des lames rotatives. Ne placez jamais vos mains ou pieds à proximité ou sous le corps lorsque la tondeuse automatique est en marche.
- m) Éviter d'utiliser la machine et ses périphériques dans de mauvaises conditions météorologiques, en particulier, lorsqu'il existe un risque d'éclair.
- n) Ne pas toucher de pièces mobiles dangereuses avant que celles-ci ne s'arrêtent complètement.
- o) Pour les machines utilisées dans des zones publiques, des panneaux d'avertissement doivent être placés autour de la zone de travail de la machine. Le contenu du texte ci-dessus doit être compris:
Alerte! Tondeuse automatique! Tenir à l'écart de la machine! Attention aux enfants!
- p) Pour éviter tout risque de blessure, veuillez arrêter la tondeuse et la transporter jusqu'à un autre jardin à tondre. Ne jamais traîner ou tirer la tondeuse en fonctionnement lorsque vous changez de pelouse à tondre.

2. Mise en garde complémentaire en cas de fonctionnement automatique

- a) Ne laissez pas la machine fonctionner sans surveillance si vous savez que des personnes (notamment des enfants) ou des animaux domestiques se trouvent à proximité.

Entretien et rangement



AVERTISSEMENT! Lorsque la tondeuse est retournée, l'alimentation doit toujours être coupée.

L'alimentation doit être coupée pour tous les travaux effectués sous la tondeuse, tels que le nettoyage ou le remplacement des lames.

- a) Veillez à ce que tous les écrous, vis et boulons soient bien serrés, afin de vous assurer que l'appareil reste en bon état de marche.
- b) Inspectez le robot tondeuse régulièrement et, par sécurité, remplacez toute pièce usée ou endommagée.
- c) Assurez-vous que les lames et le disque de coupe ne sont pas endommagés. Afin d'assurer l'équilibre des pièces rotatives, changez toujours les lames et les vis en même temps.
- d) Les accessoires de coupe de rechange doivent impérativement être du même type que ceux d'origine.
- e) Rechargez toujours la batterie avec le chargeur fourni par le fabricant. Toute utilisation incorrecte peut être à l'origine d'un choc électrique, d'une surchauffe ou d'une fuite du liquide corrosif de la batterie.
- f) En cas de fuite d'électrolyte et de contact avec les yeux, rincez abondamment avec de l'eau ou un agent neutralisant et appelez les urgences.
- g) Toute réparation sur l'appareil doit s'effectuer d'une manière conforme aux instructions du fabricant.

Recommandation

Connecter uniquement la machine et/ou ses périphériques à un circuit d'alimentation protégé par un dispositif de courant résiduel (RCD) avec un courant de déclenchement ne dépassant pas 30 mA.

Risques résiduels

Pour éviter les blessures, porter des gants de protection lors du remplacement des lames.

Déplacer l'appareil

Utilisez l'emballage d'origine pour transporter le robot sur de longues distances. Pour déplacer l'appareil de ou vers la zone de

travail en toute sécurité:

- a) Appuyez sur le bouton STOP pour arrêter la tondeuse.
Vous choisissez un code PIN à quatre chiffres lorsque vous démarrez la tondeuse pour la première fois.
- b) Toujours éteindre la tondeuse à gazon robotique si lorsque vous avez l'intention de la porter.
- c) Portez la tondeuse en la tenant par la poignée située à l'arrière, en dessous. Tenez la tondeuse avec le disque de coupe du côté opposé à vous.

Exigences d'exposition FR

Pour satisfaire aux exigences d'exposition aux radiofréquences, une distance de séparation de 200 mm ou plus doit être respectée entre cet appareil et des personnes pendant le fonctionnement de l'appareil.

Pour assurer la conformité, les opérations à une distance inférieure à cette distance ne sont pas recommandées. L'antenne utilisée pour cet émetteur ne doit pas être co-localisée avec une autre antenne ou un autre émetteur.

Il s'agit d'un appareil de classe III et il ne doit être alimenté qu'à une très basse tension de sécurité correspondant au marquage de l'appareil.

Avertissements de sécurité pour la batterie à l'intérieur de l'appareil

- a) **La batterie et les piles secondaires ne doivent pas être ouvertes, démontées ou broyées.**
- b) **La batterie ne doit pas être court-circuitée. Évitez de mettre la batterie en vrac dans une boîte ou dans un tiroir où elles risqueraient de se court-circuiter entre elles ou au contact d'autres objets métalliques.** Après usage, évitez tout contact de la batterie avec d'autres objets métalliques de petite taille (trombones, pièces, clés, clous, vis etc.) susceptibles de court-circuiter les pôles. Un court-circuit entre les pôles de la batterie peut être à l'origine de brûlures ou d'un incendie.
- c) **La batterie ne doit pas être exposée au feu et à la chaleur. Évitez de la ranger à la lumière du soleil.**
- d) **La batterie et les piles ne doivent pas être soumises à des chocs mécaniques.**
- e) **En cas de fuite des piles, évitez tout contact du liquide avec la peau et les yeux. En cas de contact, rincez abondamment la surface touchée avec de l'eau et appelez les urgences.**

- f) **La batterie et les piles doivent rester propres et sèches.**
- g) **N'utilisez pas d'autre chargeur que celui spécifié par Kress. N'utilisez pas d'autre chargeur que celui spécifiquement fourni avec l'appareil.**
- h) **N'utilisez en aucun cas une batterie autre que celle prévue pour cet appareil.**
- i) **La batterie doit être tenue hors de portée des enfants.**
- j) **Gardez la documentation d'origine du produit afin de pouvoir vous y référer ultérieurement.**
- k) **Respectez les procédures de mise au rebut.**
- l) **Ne mélangez pas des cellules de différente fabrication, capacité, taille ou type dans un même appareil.**
- m) **Protégez la batterie des micro-ondes et des hautes pressions.**
- n) **Avertissement ! N'utilisez pas de batteries non rechargeables.**

Conditions du manuel d'utilisation pour les outils sans fil

- a) Le fonctionnement de ce type d'appareil est soumis aux deux conditions suivantes:
 - (1) Cet appareil ne doit pas provoquer d'interférences préjudiciables, et
 - (2) Il doit accepter toute interférence reçue, y compris les interférences pouvant entraîner un mauvais fonctionnement.
- b) Attention: Les changements et modifications apportés à cet appareil et non expressément autorisés par la partie responsable de la compatibilité peuvent annuler le droit de l'utilisateur à faire fonctionner l'équipement.
- c) REMARQUE: Cet équipement génère, utilise et peut dégager de l'énergie de radiofréquence et, s'il n'est pas installé et utilisé conformément aux instructions du fabricant, peut provoquer des interférences préjudiciables aux communications radio. Il n'existe toutefois aucune garantie que des interférences ne se produiront pas dans une installation particulière. Si cet équipement entraîne des interférences préjudiciables à la réception des émissions radio ou de télévision, pouvant être identifiées en mettant l'équipement hors tension puis sous tension, il est recommandé que l'utilisateur tente de résoudre ce problème au moyen d'une ou plusieurs des mesures suivantes:
 - En orientant différemment l'antenne réceptrice ou en la changeant de place.
 - En augmentant la distance séparant l'équipement du récepteur.

- En connectant l'équipement à une prise sur un circuit différent de celui sur lequel est branché le récepteur.
- En obtenant de l'aide auprès du revendeur ou d'un technicien radio/TV expérimenté.

Symboles



AVERTISSEMENT – ce robot tondeuse peut être dangereux s'il est utilisé de manière incorrecte. Avant d'utiliser le robot tondeuse pour la première fois, vous devez avoir lu et compris le contenu dans son intégralité.



AVERTISSEMENT - Restez à distance de la machine pendant qu'elle fonctionne.



AVERTISSEMENT – Éteignez la machine avant de la manipuler ou de la soulever.



AVERTISSEMENT – Éteignez la machine avant de la manipuler ou de la soulever.



Appareil de classe III

Les déchets d'équipements électriques et électroniques ne doivent pas être déposés avec les ordures ménagères. Ils doivent être collectés pour être recyclés dans des centres spécialisés. Consultez les autorités locales ou votre revendeur pour obtenir des renseignements sur l'organisation de la collecte.



Batterie Li-Ion. Le symbole « collecte sélective » est indiqué sur le produit et concerne toutes les batteries. Les batteries seront recyclées ou éliminées afin de réduire leur impact sur l'environnement. Les batteries sont dangereuses pour l'environnement et pour la santé humaine car elles contiennent des substances dangereuses.



Ne pas jeter au feu



Les batteries peuvent entrer dans le cycle de l'eau si elles sont jetées de manière inappropriée, ce qui est dangereux pour l'écosystème. Ne jetez pas les batteries utilisées avec les déchets ménagers non triés.



Ne lavez pas la machine avec un nettoyeur à haute pression.

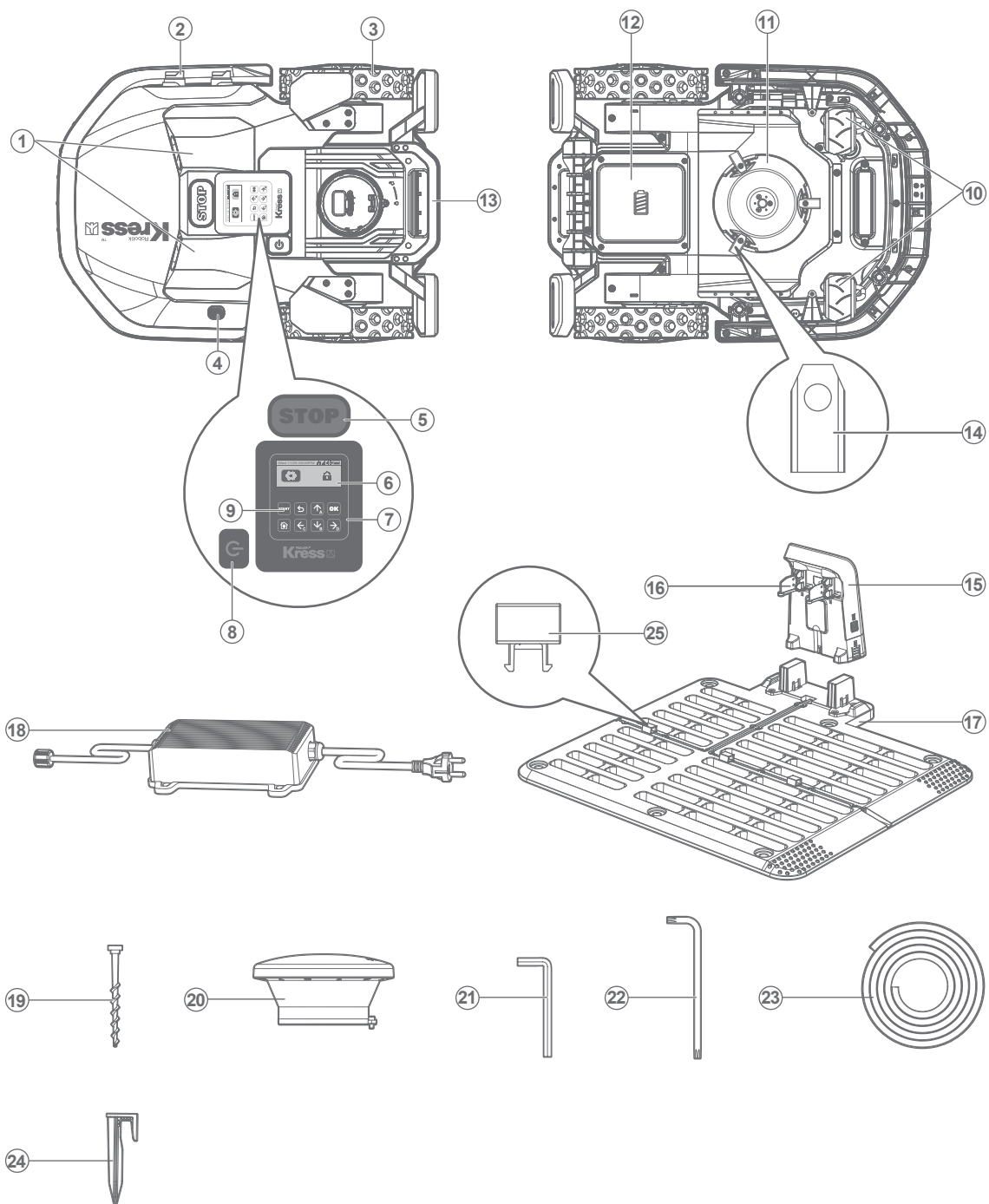


Lire le manuel de l'opérateur



Unité d'alimentation amovible

Liste des composants



1. Capteur ultrasonique (Uniquement pour KR160E.A, KR161E, KR171E)
2. Bande de charge
3. Roue motrice arrière
4. Capteur pluviométrique
5. Bouton stop
6. Écran
7. Clavier numérique
8. Touche on/off (marche/arrêt)
9. Touche start (démarrer)
10. Roue avant
11. Disque de coupe rotatif
12. Batterie *
13. Poignée
14. Lames de coupe
15. Batterie en chargement
16. Broches de contact
17. Socle de chargement
18. Adaptateur d'alimentation
19. Clous de fixation de la base de charge
20. Antenne RTK
21. Clef allen
22. Clé pour antenne RTK
23. Bande magnétique
24. Agrafes
25. Boucle

* Les accessoires reproduits ou décrits ne sont pas tous compris avec le modèle standard livré.

Caractéristiques techniques

Modèle **KR160E KR160E.A KR161E KR171E (100-199 - désignations des pièces, illustration de la Robot de fauchage à pelouse)**

38

Fr

	KR160E	KR160E.A	KR161E	KR171E
Tension nominale	20V \approx Max.*			
Vitesse à vide	2700/min			
Zone de coupe **	600 m ²		1000 m ²	1500 m ²
Diamètre de coupe	20 cm			
Hauteur de coupe	30-60 mm			
Positions de réglage de la hauteur de coupe	7			
Type de batterie	Lithium			
Modèle de batterie	KA3024			
Durée de charge environ.	180 min			
Modèle de chargeur	KA0200 / KA0201			
Valeurs nominales du chargeur	Entrée: 100-240 V~50/60 Hz, 38 W, Sortie: 20 V, 1.5 A			
Poids de la machine	12 kg		12.2 kg	
Classe de protection	III			
Application	Y			
Pente maximale sur la surface de tonte	40%			

* La tension est mesurée à vide. La tension initiale de la batterie atteint un maximum de 20 volts. La tension nominale est de 18 volts.

** La superficie totale de coupe pour l'ensemble des pré-réglages actifs ne doit pas dépasser la taille de zone recommandée. La zone excédentaire ne peut pas être attribuée à la tondeuse.

Caractéristiques techniques pour l'antenne

Tension nominale	5V±2%		
Température de fonctionnement	-40°C~85°C		
Température de rangement	-40°C~85°C		
Bande	Tx(Mhz)	Rx(Mhz)	Puissance de sortie RF (max.)
GSM900(B8)	880-915	925-960	33dBm
DCS1800(B3)	1710-1785	1805-1880	30dBm
WCDMA B1	1920-1980	2110-2170	24dBm
WCDMA B8	880-915	925-960	24dBm
LTE-FDD B1	1920-1980	2110-2170	23dBm
LTE-FDD B3	1710-1785	1805-1880	23dBm
LTE-FDD B7	2500-2570	2620-2690	23dBm
LTE-FDD B8	880-915	925-960	23dBm
LTE-FDD B20	832-862	791-821	23dBm
LTE-FDD B28	703-748	758-803	23dBm
LTE-TDD B38	2570-2620	2570-2620	23dBm
LTE-TDD B40	2300-2400	2300-2400	23dBm

39
Fr

Données techniques pour la 4G-GPS

Module 4G -GNSS	Bande GNSS GPS L1	1575.42+/-1.023
	Bande Galileo E1	1575.42+/-1.023
	Bande BDS E11	1561.098+/-2.046
	Bande GLONASS G1	1579.5~1605.8

Informations relatives au bruit

	KR160E KR160E.A KR161E KR171E
Niveau de pression acoustique	$L_{pA} = 47.5 \text{ dB (A)}, K_{pA} = 3.0 \text{ dB(A)}$

Niveau de puissance acoustique

$L_{WA} = 55.5 \text{ dB (A)}$, $K_{WA} = 3.0 \text{ dB(A)}$

Porter des protections auditives lorsque la pression sonore est supérieure à

80dB(A) 

Un certain niveau de bruit de la machine est inévitable. Le travail bruyant sur des routes doit être autorisé et limité à certaines périodes. Les périodes de repos doivent être préservées et les heures de travail peuvent être restreintes à un minimum. Pour sa propre protection et la protection des personnes travaillant dans les environs, le personnel doit porter une protection auditive appropriée.

Accessoires

	KR160E	KR160E.A	KR161E	KR171E
Vis servant à fixer les lames	9	9	9	9
Socle de recharge	1	1	1	1
Clous de fixation de la base de chargement	6	6	6	6
Clef Allen	1	1	1	1
Clé pour antenne RTK	1	1	1	1
Bande magnétique	1	1	1	1
Jauge de mesure	2	2	2	2
Lames	9	9	9	9
40 RTK antenna	1	1	1	1
Fr Agrafes	16	16	16	16
Batterie (KA3024)	1	1	1	1
Chargeur (KA0200/KA0201)	1	1	1	1

Nous recommandons d'acheter tous les accessoires dans le magasin d'acquisition de la machine. Pour plus d'informations, se référer à l'emballage des accessoires. Le personnel du magasin est également là pour vous conseiller.

Utilisation conforme

Ce produit est destiné à la tonte de pelouses de particuliers. Il est conçu pour tondre fréquemment la pelouse de manière à la garder plus belle et plus saine que jamais auparavant. Selon la taille de votre pelouse, le Mission™ RTKⁿ peut être programmé de manière à travailler à n'importe quel moment et avec n'importe quelle fréquence. Il n'est pas destiné à creuser, balayer ou nettoyer la neige.

Entretien

Le Mission™ RTKⁿ doit faire l'objet d'un examen périodique. Le Mission™ RTKⁿ travaille dur, c'est pourquoi vous devez régulièrement le nettoyer en profondeur et changer les pièces usées. N'utilisez jamais le Mission™ RTKⁿ quand le bouton marche/arrêt est endommagé.

Éteignez la machine avant d'effectuer tout entretien ou maintenance que ce soit.

Dans cette section, nous vous expliquerons comment prendre soin de votre nouveau Mission™ RTKⁿ de manière à ce qu'il s'adapte parfaitement à sa nouvelle demeure.

1

Affûtage

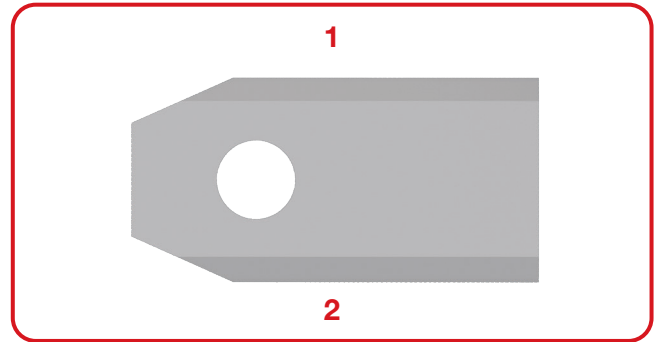


AVERTISSEMENT: Avant d'effectuer toute manipulation de nettoyage, de réglage ou de changement des lames, éteignez le Mission™ RTKⁿ et mettez des gants de protection.



AVERTISSEMENT: Pour le remplacement des lames, assurez-vous de remplacer TOUTES les lames à la fois. Utilisez toujours des vis neuves lors du montage des lames. Il est important d'assurer la rétention de la lame et l'équilibre du disque de rotation de la lame. Le fait de ne pas utiliser de vis neuves pourrait entraîner des blessures graves.

Le Mission™ RTKⁿ ne coupe pas l'herbe de la même manière que les autres tondeuses. Ses lames sont tranchantes comme des rasoirs sur leurs 2 bords et tournent dans les deux sens pour une efficacité de coupe maximale. Un profil de lame repensé empêche mieux l'herbe coupée d'être bloquée dans l'espace entre le disque et la lame. Avec un matériel neuf, la durée de vie de chaque lame de coupe sera plus longue que celle des lames des autres marques lorsque le matériel a été programmé pour tondre tous les jours. Vérifiez chaque fois si les lames sont ébréchées ou endommagées et changez-les le cas échéant. Lorsque les lames sont usées et ne coupent plus bien, elles doivent être remplacées par les lames de rechange fourni avec votre Mission™ RTKⁿ. Des lames de rechange sont également disponibles chez votre détaillant Kress le plus proche.



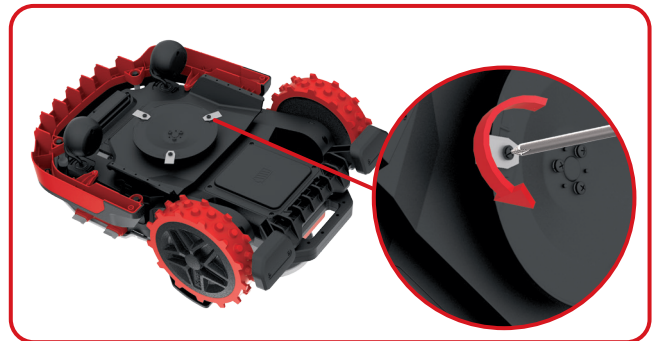
A. Changement des lames

En général, les lames de votre Mission™ RTKⁿ doivent être inversées tous les mois, et remplacées toutes les semaines. Vous pouvez modifier la fréquence de remplacement des lames en fonction de la qualité de coupe de la pelouse. C'est pourquoi il est indispensable de toujours changer toutes les lames en même temps. Vous pouvez utiliser l'un des kits de rechange fournis avec le Mission™ RTKⁿ, avec les vis de montage correspondantes.

Avant de changer les lames, coupez le moteur et mettez des gants de protection. Puis procédez de la manière suivante:



1. Retournez délicatement le Mission™ RTKⁿ.
2. Retirez le couvercle de la batterie et la batterie.
3. Dévissez les vis des lames avec un tournevis.
4. Puis fixez solidement les lames neuves.
5. Remontez la batterie et son couvercle.

Important: Après avoir vissé les lames sur le disque, assurez-vous qu'elles peuvent tourner librement.



2

Nettoyage

-  **AVERTISSEMENT:** Avant de le nettoyer, éteignez votre Mission™ RTKⁿ. Mettez des gants de protection avant de nettoyer le disque de coupe, et ne le lavez pas sous le robinet.
-  **AVERTISSEMENT !** VOTRE Mission™ RTKⁿ ne peut être lavé qu'en utilisant un tuyau souple ! N'utilisez PAS de nettoyeur haute pression sur votre Mission™ RTKⁿ. L'eau à haute pression peut pénétrer à l'intérieur des joints et endommager les pièces électroniques et mécaniques.

A. Nettoyage du boîtier

Votre Mission™ RTKⁿ fonctionnera mieux et plus longtemps s'il est nettoyé régulièrement. Toutefois, comme votre Mission™ RTKⁿ est une machine électrique, vous devez faire attention lors du nettoyage. Le tuyau d'eau propre est pris en charge. Il est préférable d'utiliser un vaporisateur rempli d'eau. Pour nettoyer le boîtier en plastique moulé, utilisez un chiffon ou une brosse à poils mous et évitez les solvants et les produits de cirage. Enfin, n'oubliez pas d'enlever tous les dépôts d'herbe et autres débris.

B. Nettoyage de la partie inférieure

Une fois encore, vous devez impérativement éteindre le Mission™ RTKⁿ avec le bouton marche/arrêt et **mettre des gants de protection avant de toucher le disque de coupe**. Retournez tout d'abord votre Mission™ RTKⁿ à l'envers pour en exposer sa face inférieure. Repérez le disque de coupe, le boîtier du moteur ainsi que les roues avant et les roues motrices. Nettoyez soigneusement toutes ces pièces avec un chiffon mouillé ou une brosse à poils mous. Le tuyau d'eau propre est pris en charge.

Faites tourner le disque de coupe pour vous assurer qu'il tourne librement. Vérifiez que les lames tournent librement autour des vis de fixation. Retirez tout obstacle.

IMPORTANT: Enlevez tous les débris accumulés susceptibles de fissurer le disque de coupe. Même la fissure la plus microscopique peut influencer le fonctionnement du Mission™ RTKⁿ de manière importante.

C. Nettoyez les broches de contact et les bandes

Nettoyer la broche de contact située sur la base de chargement et la bande de chargement situé sur le Mission™ RTKⁿ à l'aide d'un chiffon. Enlevez toute accumulation de débris d'herbe et de débris autour des broches de contact et des bandes de chargement de temps en temps pour vous assurer que le Mission™ RTKⁿ se charge correctement à chaque fois.



3

Durée de vie de la batterie

Le cœur du Mission™ RTKⁿ est une Pile de Lithium de 20V. Pour un entreposage adéquat de la batterie, assurez-vous qu'elle soit complètement chargée et conservée dans un endroit frais et sec entre (-20°C~+60°C).

REMARQUE: La plage de température de fonctionnement pour Mission™ RTKⁿ va de 0°C à 55°C

La durée de vie de la batterie du Mission™ RTKⁿ dépend de plusieurs facteurs:

- La durée de la saison de tonte dans votre région
- Le nombre d'heures que le Mission™ RTKⁿ travaille chaque jour
- L'entretien de la batterie pendant le rangement

Le Mission™ RTKⁿ peut être chargé manuellement.

1. Connectez la base de charge à une source d'alimentation appropriée. Le voyant vert de l'activation de chargement s'allumera.
2. Placez manuellement la Mission™ RTKⁿ dans la base de charge alors que la Mission™ RTKⁿ est éteinte.
3. L'indicateur lumineux vert clignote sur la base de charge, Mission™ RTKⁿ commencera à se charger.



4

Hibernation

Votre Mission™ RTKⁿ fonctionnera mieux et plus longtemps si vous le laissez reposer pendant l'hiver. Bien que le Mission™ RTKⁿ soit un appareil très solide, nous vous recommandons néanmoins de le ranger dans une remise ou dans un garage pendant l'hiver.

Avant de ranger le Mission™ RTKⁿ pour l'hiver, n'oubliez pas:

- de le nettoyer soigneusement
- de recharger complètement la batterie
- de l'éteindre

Pour maximiser la vie de la batterie, il est recommandé de la charger complètement avant de l'entreposer pour l'hiver.

AVERTISSEMENT: Protéger le dessous de Mission™ RTKⁿ de l'eau. **NE JAMAIS** ranger Mission™ RTKⁿ à l'envers à l'extérieur.

REMARQUE: Lorsque vous redémarrez le Mission™ RTKⁿ après le repos hivernal, nettoyez soigneusement les bornes de recharge et les broches de contact en utilisant de préférence une toile émeri fine. Lors de l'utilisation de l'application, s'assurer que la date et l'heure sont correctes et renvoyer Mission™ RTKⁿ faire ce pour quoi qu'il a été conçu: tondre.

5

Changement de la batterie

AVERTISSEMENT: Mettez le bouton marche/arrêt avant d'effectuer toute manipulation de réglage, de changement ou de réparation. Avant de changement des lames, éteignez le Mission™ RTKⁿ et mettez des gants de protection.

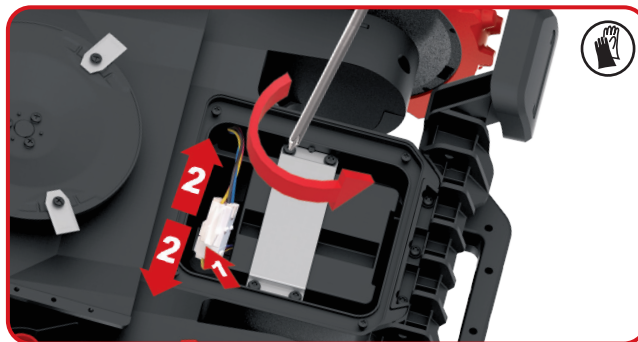
Pour remplacer la batterie, suivez ces étapes :

1. Retournez délicatement le Mission™ RTKⁿ.
2. Enlevez les vis de fixation de la batterie. Retirez le carter de la batterie.

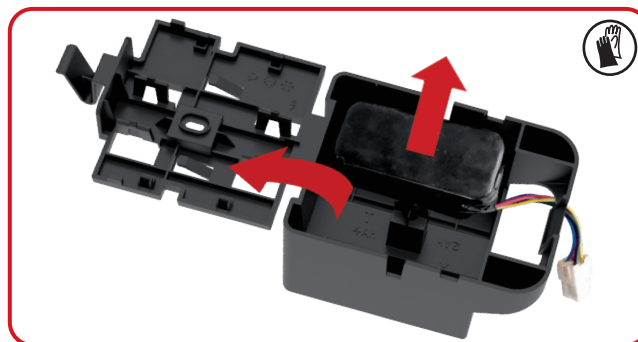


3. Dévissez la plaque métallique.
Enlevez la plaque métallique.
4. Enfoncez le loquet et relâchez les connecteurs comme illustré sur l'image. Soulevez avec précaution le boîtier de batterie.

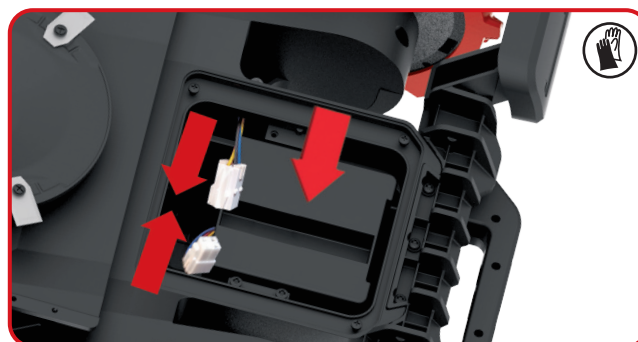
REMARQUE: Ne tirez pas sur les câbles. Tenez les connecteurs et sortez l'élément de blocage.



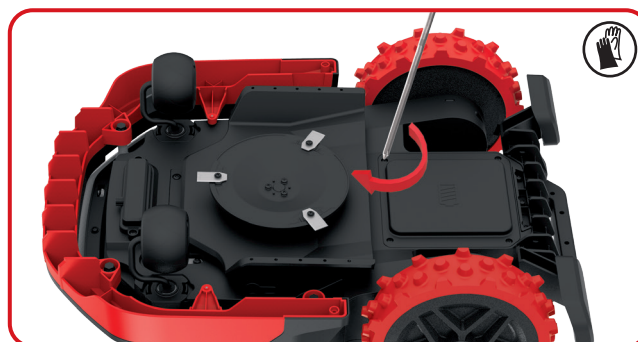
5. Ouvrez le boîtier de batterie, puis soulevez délicatement la batterie. Remplacez l'ancienne batterie par une batterie neuve.



6. Remettez le boîtier de batterie en place et branchez les connecteurs. Reposez la plaque métallique.



7. Remettez le carter dans sa position et vissez fermement les vis.



Résolution des problèmes d'installation

Si votre Mission™ RTKⁿ ne fonctionne pas correctement, consultez le guide de dépannage ci-dessous. Si le défaut persiste, contactez le magasin d'achat.

Symptôme	Cause	Solution
Le voyant LED sur la station de charge ne s'allume pas.	Il n'y a pas d'alimentation.	Vérifiez que la station de charge est correctement branchée au chargeur et que le chargeur est branché à une alimentation adaptée.
Le Mission™ RTK ⁿ ne peut pas être correctement placé sur la station de charge.	La bande magnétique est placée dans le mauvais sens.	Vérifiez si la bande magnétique est placée dans le mauvais sens. Si elle est correctement placée, la bande verte de la bande magnétique est éloignée de la station de charge.
La charge de la machine est épuisée, et la machine ne peut pas revenir vers la station de charge.	Aucune station de charge virtuelle n'est cartographiée.	Reconfigurez la carte et ajoutez la station de charge virtuelle.
	La longueur de la bande magnétique est inférieure à 2,5 m.	Il doit être garanti que la longueur de la bande magnétique est supérieure à 2,5 m.
Lorsque le Mission™ RTK ⁿ se déplace sur une pente, il dépasse la ligne de délimitation.	L'angle de la limite est très aigu.	Essayez d'éviter les scénarios d'agencement présentant des angles aigus.
Une fois le Mission™ RTK ⁿ allumé, le bouton de démarrage est enfoncé, mais le Mission™ RTK ⁿ ne fonctionne pas.	Le Mission™ RTK ⁿ se trouve à l'extérieur de la zone de travail.	Déplacez le Mission™ RTK ⁿ à l'intérieur de la zone de travail.
	Signal de positionnement faible	Trouvez un endroit dégagé, attendez que le voyant de signal de positionnement devienne vert, puis appuyez sur le bouton de démarrage.
Le Mission™ RTK ⁿ n'émet aucun message d'alarme lorsqu'il est à l'extérieur de la barrière géographique.	La version de logiciel du Mission™ RTK ⁿ est ancienne.	Mettez à jour le logiciel du Mission™ RTK ⁿ .
	Le Mission™ RTK ⁿ est éteint.	Allumez le Mission™ RTK ⁿ .
Le Mission™ RTK ⁿ est à l'arrêt au milieu de l'obstacle.	Les obstacles autour du Mission™ RTK ⁿ sont relativement petits, et le Mission™ RTK ⁿ n'arrive pas à résoudre le problème.	Définissez la zone où il est facile de piéger le Mission™ RTK ⁿ comme une zone interdite.
	Le capteur du Mission™ RTK ⁿ ne fonctionne pas	Recherchez la page de diagnostic du Mission™ RTK ⁿ sur l'application et vérifiez le statut du capteur.
Impossible de lire le journal	Le format du disque externe n'est pas FAT32 .	Convertissez le format du disque externe en FAT32 .
Le Mission™ RTK ⁿ est à l'arrêt aux environs d'un mur et ne peut pas démarrer, et le voyant de positionnement est toujours rouge.	Le Mission™ RTK ⁿ tond pendant trop longtemps dans une zone à l'ombre, déclenchant alors la protection de sécurité.	Essayez d'éviter de laisser le Mission™ RTK ⁿ tondre dans des zones trop à l'ombre.
	Il y a trop de murs ou d'arbres dans la zone, ce qui bloque le signal de positionnement	

Protection de l'environnement

 Les déchets d'équipements électriques et électroniques ne doivent pas être déposés avec les ordures ménagères. Ils doivent être collectés pour être recyclés dans des centres spécialisés. Consultez les autorités locales ou votre revendeur pour obtenir des renseignements sur l'organisation de la collecte.

Déclaration de conformité

Nous,
Positec Germany GmbH
Postfach 680194, 50704 Cologne, Germany

Positec déclare que le produit,
Description **Robot de fauchage à pelouse**
Modèle **KR160E KR160E.A KR161E KR171E (100-199- désignations des pièces, illustration de la Robot de fauchage à pelouse) (L'année, la référence de l'article et le mois du numéro de série sont placés au dos. Le numéro de série complet est clairement indiqué sur le boîtier de la tondeuse à gazon) avec chargeur de batterie KA0200 / KA0201 et station de recharge KA0074**
Fonction **tondeuse à gazon**

Est conforme aux directives suivantes,
2006/42/EC, 2014/30/EU, 2014/35/EU, 2011/65/EU&(EU)2015/863, 2000/14/EC amendée par 2005/88/EC, 2014/53/EU

2000/14/EC amendée par 2005/88/EC

- Procédure d'évaluation de la conformité conformément à
- Niveau de pression acoustique
- Niveau d'intensité acoustique

Annex V
55.5 dB (A)
59 dB (A)

46

Fr

Et conforme aux normes,

Pour tondeuse à gazon: EN 50636-2-107:2015+A1:2018+A2:2020+A3:2021, EN 60335-1:2012+A11:2014+A13:2017+A1:2019+A2:2019+A14:2019+A15:2021, EN IEC 62311:2020, EN IEC 55014-1:2021, EN IEC 55014-2:2021, EN IEC 61000-3-2:2019+A1:2021, EN 61000-3-3:2013+A1:2019+A2:2021

Pour le module à ultrasons: EN 55011:2016+A11:2020

Pour le module 4G+GPS: EN 301 489-1 V2.2.3, EN 301 489-19 V2.1.1, EN 301 489-52 V1.2.1, EN 301 511 V12.5.1, EN 301 908-1 V15.0.1, EN 301 908-13 V13.1.1, EN 303 413 V1.2.1

Pour le chargeur: EN IEC 55014-1:2021, EN IEC 55014-2:2021, EN IEC 61000-3-2:2019+A1:2021, EN 61000-3-3:2013+A1:2019+A2:2021, EN IEC 60335-2-29:2021+A1:2021, EN 60335-1:2012+A11:2014+A13:2017+A1:2019+A2:2019+A14:2019+A15:2021, EN 62233:2008

Pour le bruit: EN ISO 3744:1995

Pour le RoHS: EN IEC 63000:2018

La personne autorisée à compiler le dossier technique,

Nom **Marcel Filz**

Adresse **Positec Germany GmbH Postfach 680194, 50704 Cologne, Germany**



2024/02/28

Allen Ding

Ingénieur en chef adjoint, Essais & Certification

Positec Technology (China) Co., Ltd.

18, Dongwang Road, Suzhou Industrial Park, Jiangsu 215123, P. R. China

Gli utenti possono consultare le istruzioni in formato digitale sul sito <https://www.kress.com/en/>.

Sicurezza del prodotto

Avvisi generali per la sicurezza degli utensili a motore



AVVERTENZA: È assolutamente necessario leggere attentamente tutte le istruzioni. Eventuali errori nell'adempimento delle istruzioni qui di seguito riportate potranno causare scosse elettriche, incendi e/o lesioni gravi.

Leggere accuratamente queste istruzioni per usare la macchina in sicurezza.

Conservare tutti gli avvisi e le istruzioni per poterle consultare quando necessario.

- Questo dispositivo non è inteso per l'uso da parte di persone (inclusi i bambini) con capacità fisiche, sensorie o mentali ridotte o con scarsa esperienza e conoscenza del prodotto, a meno che non sia utilizzato sotto la supervisione da parte di persone responsabili per la loro sicurezza.
- I bambini devono essere controllati per garantire che non giochino con il dispositivo.
- La batteria di questo dispositivo può essere sostituita solo da personale qualificato.
AVVERTENZA: Per caricare la batteria, utilizzare solo l'alimentatore rimovibile fornito con il dispositivo

IMPORTANTE LEGGERE ATTENTAMENTE PRIMA DELL'USO CONSERVARE PER RIFERIMENTO FUTURO

Procedure per un uso sicuro Addestramento

- Leggere con attenzione le istruzioni. Acquisire familiarità con i comandi e il corretto funzionamento dell'apparecchio.
- Non permettere mai a bambini o a persone sprovviste delle necessarie competenze di utilizzare l'attrezzo. L'età minima di utilizzo dello stesso può variare a seconda delle diverse normative locali.
- Ricordare che l'operatore o l'utente sono responsabili di incidenti o rischi che dovessero verificarsi ai danni di terzi o delle proprietà.

Operazioni preliminari

- Confermare che il confine virtuale sia stabilito come da istruzioni e che venga sottoposto a controlli regolari. Prima di ogni ciclo operativo, la macchina percorre l'area di lavoro al fine di verificare l'esistenza del confine virtuale; se non viene individuato, la macchina si arresterà. Il confine virtuale identifica l'area di lavoro in cui la macchina è abilitata a operare. L'antenna RTK della macchina rileva quando la stessa si sta avvicinando al confine virtuale. Quando la macchina incontra un ostacolo o si approssima al confine virtuale, il prodotto seleziona una nuova direzione.
- Ispezionare con attenzione l'area in cui si deve utilizzare il robot tosaerba e togliere tutti gli oggetti che potrebbero essere lanciati dal robot tosaerba.
- Prima dell'uso, verificare visivamente che le lame, i rispettivi bulloni e il gruppo di taglio non siano usurati o danneggiati. In tal caso, sostituire le lame o i bulloni in blocco per mantenere il bilanciamento.
- Su macchine con più lame, prestare attenzione perché ruotando una lama si provoca la rotazione dell'altra lama.
- AVVERTENZA!** Non utilizzare mai il robot tosaerba se le protezioni o i ripari sono danneggiati o senza i gli appositi apparati di sicurezza.

Funzionamento

1. Generali

- Non utilizzare mai il robot tosaerba se le protezioni o i ripari sono danneggiati o senza i gli appositi apparati di sicurezza, come i deflettori e di raccolta erba.
- Non avvicinare mani o piedi accanto o sotto le parti rotanti. Nel caso di falciatrici rotative, mantenere costantemente libere le aperture di scarico.
- Non raccogliere, né trasportare il robot tosaerba quando è in funzione.
- Spegnere il Mission™ RTKⁿ:
 - prima di eliminare un ostacolo;
 - prima di controllare, pulire o effettuare lavori sul robot tosaerba;
 - Dopo aver urtato un oggetto estraneo, ispezionare la macchina per verificare che non vi siano danni;
 - Se la macchina inizia a vibrare in modo anomalo verificare la presenza di danni prima di riavviare.
- Non è consentito modificare la versione originale del robot tosaerba. Il produttore declina ogni responsabilità per eventuali

modifiche non autorizzate.

- f) Avviare il robot tosaerba, come descritto nelle istruzioni. Quando l'apparecchio è acceso, tenere mani e piedi lontani dalle lame rotanti. Non infilare mai le mani o i piedi sotto al tosaerba.
- g) Non sollevare mai il tosaerba robotizzato, né trasportarlo quando è acceso.
- h) Non consentire a persone che non conoscono il funzionamento e il comportamento del robot tosaerba di utilizzarlo.
- i) Non sistemare oggetti sopra al robot tosaerba o alla base di ricarica.
- j) Non utilizzare il robot tosaerba se il disco lame o la scocca presentano difetti. Non utilizzarlo nemmeno se presenta lame, viti, dadi o cavi difettosi.
- k) Spegnerne sempre il robot tosaerba quando non si ha intenzione di utilizzarlo. Il tosaerba robotizzato può avviarsi solo quando l'alimentazione è accesa ed è stato inserito il codice PIN corretto.
- l) Tenere mani e piedi lontani dalle lame rotanti. Non mettere mai le mani o i piedi vicino o sotto il corpo quando il robot tosaerba è in funzione.
- m) Evitare di utilizzare la macchina e i suoi accessori in condizioni meteo avverse, specialmente in caso di rischio di caduta di fulmini.
- n) Non toccare parti mobili pericolose prima che si siano completamente arrestate.
- o) Per le macchine utilizzate in aree pubbliche, i segnali di avvertimento devono essere collocati attorno all'area di lavoro della macchina. Mostrano la sostanza del seguente testo:
Attenzione! Tosaerba automatico! Stare lontano dalla macchina! Supervisionare i bambini!
- p) Per evitare il rischio di infortuni, si prega di arrestare il tosaerba e portarlo in un altro prato da tagliare. Mai trascinare o tirare il tosaerba in funzione quando si cambia il prato da tagliare.

2. Ulteriori informazioni per quando l'apparecchiatura funziona in modalità automatica

- a) Non usare il robot tosaerba in presenza di altre persone, in particolar modo di bambini o di animali domestici.

Manutenzione e conservazione



AVVERTENZA! Quando il tosaerba

viene capovolto, l'alimentazione deve essere sempre spenta.

L'alimentazione deve essere disattivata durante tutti i lavori sul telaio inferiore del tosaerba, come la pulizia o la sostituzione delle lame.

- a) Ai fini della sicurezza delle operazioni, accertarsi che tutti i dadi, i bulloni e le viti del robot tosaerba siano saldamente avvitati.
- b) Controllare il robot tosaerba ogni settimana e sostituire le eventuali parti danneggiate o usurate.
- c) Controllare in particolare che le lame e il disco lame siano integri. All'occorrenza, sostituire tutte le lame e le viti contemporaneamente in modo che le parti rotanti siano bilanciate.
- d) Assicurarsi di utilizzare solo ricambi originali.
- e) Assicurarsi che le batterie siano caricate utilizzando il caricabatteria corretto consigliato dal costruttore. L'uso non corretto potrebbe causare folgorazioni, surriscaldamento o perdite di liquidi corrosivi dalla batteria.
- f) Nel caso di perdite di elettroliti, lavare con acqua/un agente neutralizzante, chiedere l'aiuto di un medico nel caso vengano a contatto con gli occhi, ecc;
- g) Le manutenzione del robot tosaerba deve essere eseguita seguendo le istruzioni del costruttore.

Suggerimento

Collegare la macchina e/o i suoi accessori solo a un circuito di alimentazione protetto da un dispositivo di corrente residua (RCD) con corrente di intervento non superiore a 30 mA.

Rischi residui

Per evitare infortuni, indossare guanti produttivi quando si sostituiscono le lame.

Trasferimento

Per i trasporti più lunghi, si raccomanda di riporre il robot tosaerba nell'imballaggio originale. Per un trasferimento sicuro dall'area di lavoro o al suo interno:

- a) fermare il tagliaerba premendo il tasto STOP; Si sceglie il PIN a quattro cifre quando si avvia il tagliaerba per la prima volta.
- b) spegnere sempre il robot tosaerba se si ha intenzione di trasportarlo;
- c) afferrare il robot tosaerba per l'impugnatura presente sul fondo, nella parte posteriore. Trasportare il robot tosaerba con il disco lame lontano dal corpo.

Requisiti di esposizione RF

Per soddisfare i requisiti relativi all'esposizione RF, è necessario mantenere una distanza di separazione di almeno 200 mm tra questo dispositivo e le persone durante il funzionamento del dispositivo.

Per garantire la conformità, non è consigliabile eseguire operazioni a distanze più ravvicinate. L'antenna utilizzata per questo trasmettitore non deve essere collocata in congiunzione con altre antenne o trasmettitori.

Si tratta di un apparecchio di classe III e deve essere alimentato solo a bassissima tensione di sicurezza corrispondente alla marcatura sull'apparecchio.

Avvertenze di sicurezza per il pacco batteria all'interno dell'elettrodomestico

- a) **Non smontare, aprire o strappare le celle secondarie o il pacco batteria.**
- b) **Non mettere in corto circuito il pacco batteria. Non conservare il pacco batteria disordinatamente in una scatola o in un cassetto in cui potrebbe essere cortocircuitato da altri oggetti metallici.**

Quando il pacco batteria non è in uso, tenerlo lontano da altri oggetti metallici come graffette, monete, chiavi, chiodi, viti e altri piccoli oggetti metallici, perché potrebbe crearsi un collegamento tra i due terminali. Collegare i terminali della batteria potrebbe causare incendi o ustioni.
- c) **Non esporre il pacco batteria a calore o fuoco. Evitare di conservarlo alla luce diretta del sole.**
- d) **Non sottoporre il pacco batteria a scosse meccaniche.**
- e) **In caso di perdite da una cellula, evitare che il liquido entri in contatto con la pelle o gli occhi. In caso di contatto, lavare l'area interessata con abbondante acqua e consultare un medico.**
- f) **Tenere le celle e il pacco batteria puliti e asciutti.**
- g) **Ricaricare solo con la base di ricarica fornita da Kress. Non utilizzare caricabatterie diversi da quelli forniti per l'uso specifico con l'apparecchiatura.**
- h) **Non utilizzare un pacco batteria non progettato per questo prodotto.**
- i) **Tenere il pacco batteria fuori dalla portata dei bambini.**
- j) **Conservare i documenti originali del prodotto per riferimenti futuri.**
- k) **Smaltire adeguatamente.**

- l) **Non mescolare celle di diverse produzione, capacità, dimensione o tipo all'interno di un dispositivo.**
- m) **Tenere la batteria lontano da microonde e alta pressione.**
- n) **Avvertenza! Non utilizzare batterie non ricaricabili.**

Requisiti del manuale d'uso per il prodotto wireless

- a) Il funzionamento di questo dispositivo è soggetto alla due seguenti condizioni:
 - (1) Questo dispositivo non deve causare interferenze pericolose, e
 - (2) questo dispositivo deve accettare qualsiasi interferenza ricevuta, incluse quelle che potrebbero causare un funzionamento indesiderato.
- b) **Attenzione:** Cambiamenti o modifiche a questa unità non espressamente approvate dai responsabili in materia di conformità potrebbero invalidare il diritto dell'utente ad utilizzare l'apparecchiatura.
- c) **NOTA:** Questa apparecchiatura genera, utilizza e può irradiare energia a radiofrequenza e, se non installata e utilizzata in conformità alle istruzioni, può causare interferenze dannose alla comunicazione radio. Tuttavia, non vi è alcuna garanzia che non si verifichino interferenze in una installazione specifica. Se questo dispositivo causa interferenze dannose alla ricezione radio o televisiva, che possono essere individuate spegnendo e riaccendendo il dispositivo, l'utente è incoraggiato a cercare di correggere l'interferenza eseguendo una o più delle seguenti misure:
 - Riorientare o spostare l'antenna ricevente.
 - Accrescere il divario tra l'apparecchiatura e il ricevitore.
 - Collegare l'apparecchiatura ad una presa su un circuito diverso da quello al quale è collegato il ricevitore.
 - Consultare il rivenditore o un tecnico radiotelevisivo esperto.

SIMBOLI



AVVERTENZA – In caso di uso improprio, il robot tosaerba può essere pericoloso. Leggere attentamente le istruzioni per l'uso e comprenderne il significato prima di utilizzare il robot tosaerba.



AVVERTENZA - Tenere gli astanti a distanza di sicurezza.



AVVERTENZA –Spegnere la macchina prima di sottoporla a manutenzione o di sollevarla.



AVVERTENZA – Non salire sopra il robot tosaerba.



Dispositivo di Classe III

I prodotti elettrici non possono essere gettati tra i rifiuti domestici. L'apparecchio da rottamare deve essere portato al centro di riciclaggio per un corretto trattamento. Controllare con le autorità locali o con il rivenditore per localizzare il centro di riciclaggio più vicino.



Batteria agli ioni di litio. Questo prodotto è stato contrassegnato con un simbolo relativo alla "raccolta differenziata" per tutti i pacchi batteria. Sarà pertanto riciclato o smontato al fine di ridurre l'impatto ambientale. I pacchi batteria possono essere nocivi per l'ambiente e per la salute delle persone, in quanto possono contenere sostanze pericolose.



Li-Ion



Non bruciare



Se le batterie non sono disposte in modo appropriato, potrebbero entrare nel ciclo dell'acqua, il che può essere un pericolo per l'ecosistema. Non disporre le batterie usate come rifiuti urbani non differenziati.



Non lavare il robot tosaerba con apparecchi ad alta pressione.

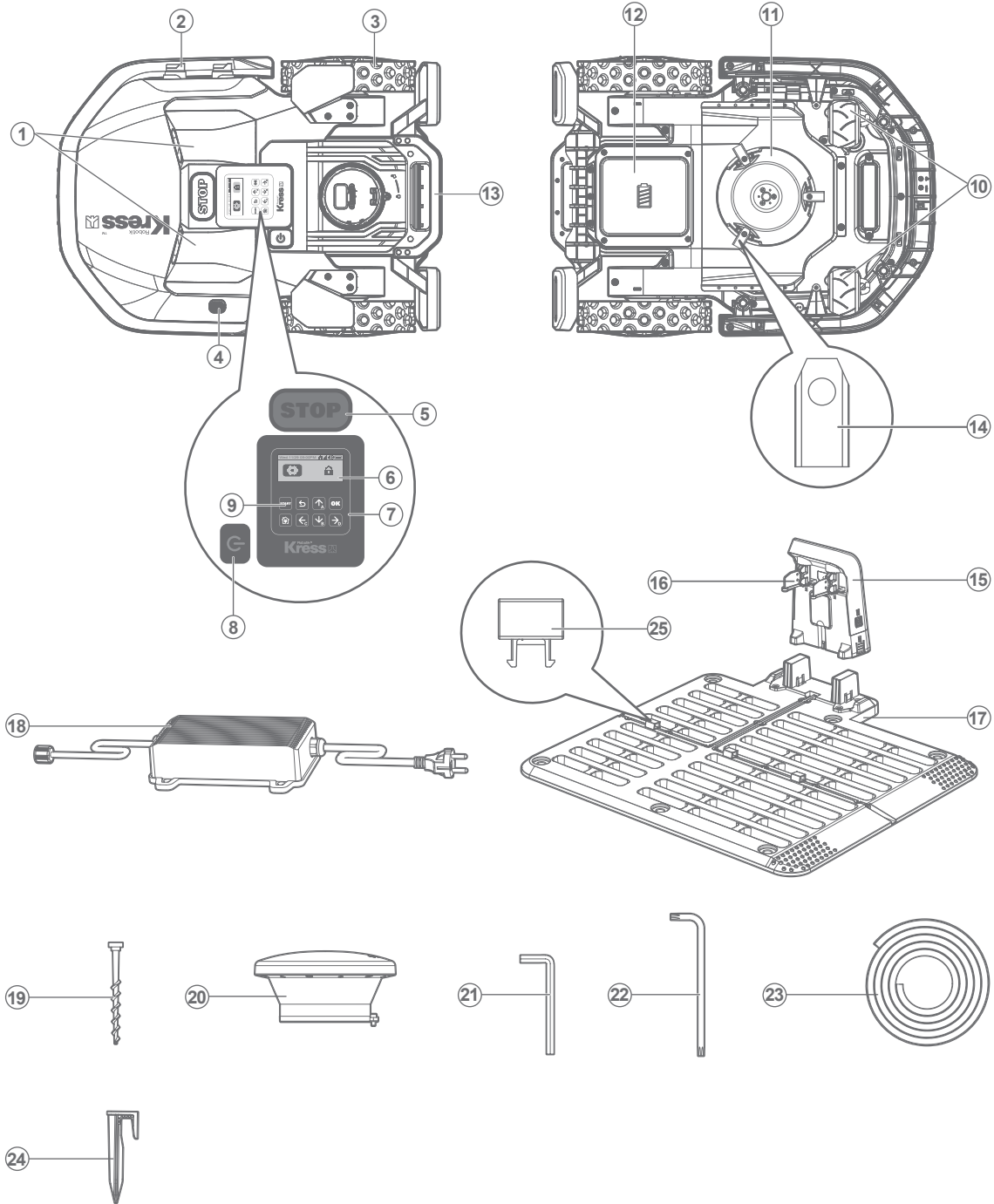


Leggere il manuale di istruzioni



Unità di alimentazione rimovibile

Componenti del robot tosaerba



- | | |
|---|---|
| 1. Sensore a ultrasuoni (Solo per KR160E.A, KR161E, KR171E) | 14. Lame |
| 2. Striscia di ricarica | 15. Pila di ricarica |
| 3. Ruota posteriore | 16. Pin di contatto |
| 4. Sensore pioggia | 17. Base di ricarica |
| 5. Tasto stop | 18. Trasformatore |
| 6. Display | 19. Chiodi di ancoraggio della base di ricarica |
| 7. Tastierino | 20. Antenna RTK |
| 8. Tasto di accensione/spegnimento | 21. Chiave a brugola |
| 9. Tasto di avvio start | 22. Chiave per antenna RTK |
| 10. Ruota anteriore | 23. Fascetta Magnetica |
| 11. Disco lame | 24. Graffette metalliche |
| 12. Pacco batteria * | 25. Fibbia |
| 13. Maniglia | |

* Accessori illustrati o descritti non fanno necessariamente parte del volume di consegna.

Dati tecnici

Codice **KR160E KR160E.A KR161E KR171E (100-199 - Designazione del macchinario, rappresentativo della Robot tosaerba)**

52

	KR160E	KR160E.A	KR161E	KR171E
Potenza nominale	20V $\overline{=}$ Max.*			
Velocità a vuoto nominale	2700/min			
Superficie di taglio **	600 m ²		1000 m ²	1500 m ²
Diametro di taglio	20 cm			
Altezza di taglio	30-60 mm			
Posizioni dell'altezza di taglio	7			
Tipo di batteria	Litio			
Modello batteria	KA3024			
Tempo di ricarica circa.	180 min			
Modello caricatore	KA0200 / KA0201			
Potenza caricabatteria	Ingresso: 100-240V~50/60Hz, 38W, Uscita: 20V, 1.5A			
Peso Macchina	12 kg		12.2 kg	
Classe protezione	III			
App	Y			
Pendenza massima all'interno della superficie di lavoro	40%			

* Tensione misurata senza carico di lavoro. La tensione iniziale della batteria raggiunge un massimo di 20 Volt. La tensione nominale è di 18 Volt.

** La superficie totale di taglio all'interno di tutti i preset attivi non deve superare la dimensione di area consigliata. L'area eccedente non può essere assegnata al rasaerba.

Dati tecnici per antenna

Tensione nominale	5V±2%		
Temperatura di esercizio	-40°C~85°C		
Temperatura di conservazione	-40°C~85°C		
Banda	Tx(Mhz)	Rx(Mhz)	Potenza d'uscita RF (max)
GSM900(B8)	880-915	925-960	33dBm
DCS1800(B3)	1710-1785	1805-1880	30dBm
WCDMA B1	1920-1980	2110-2170	24dBm
WCDMA B8	880-915	925-960	24dBm
LTE-FDD B1	1920-1980	2110-2170	23dBm
LTE-FDD B3	1710-1785	1805-1880	23dBm
LTE-FDD B7	2500-2570	2620-2690	23dBm
LTE-FDD B8	880-915	925-960	23dBm
LTE-FDD B20	832-862	791-821	23dBm
LTE-FDD B28	703-748	758-803	23dBm
LTE-TDD B38	2570-2620	2570-2620	23dBm
LTE-TDD B40	2300-2400	2300-2400	23dBm

53

Dati tecnici per il 4G-GPS

Modulo 4G -GNSS	Banda GNSS GPS L1	1575.42+/-1.023
	Banda Galileo E1	1575.42+/-1.023
	Banda BDS E11	1561.098+/-2.046
	Banda GLONASS G1	1579.5~1605.8

Dati relativi al rumore

	KR160E KR160E.A KR161E KR171E
Pressione acustica ponderata	$L_{pA} = 47.5 \text{ dB (A)}, K_{pA} = 3.0 \text{ dB(A)}$

Potenza acustica ponderata

$L_{WA} = 55.5 \text{ dB (A)}$, $K_{WA} = 3.0 \text{ dB(A)}$

Indossare protezione per le orecchie quando la pressione acustica è superiore a

80dB(A) 

Un certo livello di rumore prodotto dalla macchina è inevitabile. Per eseguire lavori rumorosi è necessario essere autorizzati e farlo solo in determinati momenti. Per rispettare i periodi di riposo potrebbe essere necessario ridurre al minimo le ore di lavoro. Per proteggere il proprio udito e quello delle persone che lavorano nelle vicinanze, indossare un dispositivo di protezione acustica adeguato.

Accessori

	KR160E	KR160E.A	KR161E	KR171E
Viti per il fissaggio delle lame	9	9	9	9
Base di ricarica	1	1	1	1
Chiodi di ancoraggio della base di ricarica	6	6	6	6
Chiave a brugola	1	1	1	1
Chiave per antenna RTK	1	1	1	1
Fascetta Magnetica	1	1	1	1
Misuratore	2	2	2	2
Lame	9	9	9	9
Antenna RTK	1	1	1	1
Graffette metalliche	16	16	16	16
Batteria (KA3024)	1	1	1	1
Caricabatteria (KA0200/KA0201)	1	1	1	1

Si raccomanda di acquistare tutti gli accessori nello stesso negozio in cui è stato acquistato l'attrezzo. Fare riferimento alla confezione dell'accessorio per altri dettagli. Il personale del negozio può aiutarvi e consigliarvi.

Uso conforme alle norme

Questo prodotto è stato progettato per tosare l'erba di prati domestici. È progettato per falciare spesso, mantenendo il prato più vigoroso e bello che mai. In base alle dimensioni del prato, Mission™ RTKⁿ può essere programmato per funzionare in qualsiasi orario e con qualsiasi frequenza. Non è concepito per scavare, spazzare o sgombrare la neve.

Manutenzione

Mission™ RTKⁿ lavora sodo e dopo un certo periodo di tempo ha bisogno di una buona pulizia e di sostituire le sue parti, le quali potrebbero usurarsi. Non utilizzare il Mission™ RTKⁿ se l'interruttore di accensione/spegnimento è difettoso. Prima di qualsiasi intervento di assistenza o manutenzione spegnere il robot tosaerba. Nella seguente documentazione desideriamo mostrare come lasciare adattare il nuovo Mission™ RTKⁿ alla sua nuova casa offrendogli la migliore assistenza possibile.

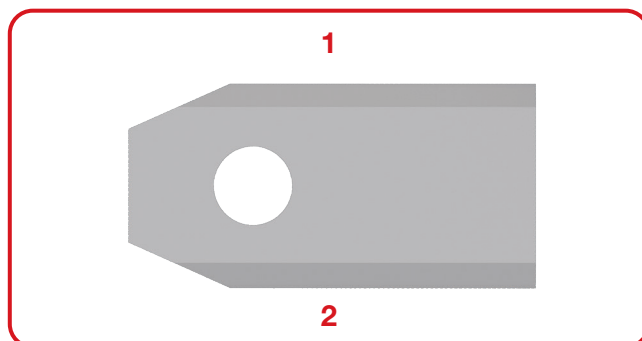
1

Mantenere affilate le lame

AVVERTENZA: prima di pulire, regolare o sostituire le lame, spegnere Mission™ RTKⁿ e indossare dei guanti di protezione.

AVVERTENZA: assicurarsi di sostituire TUTTE le lame ogni volta. Usare sempre viti nuove quando si sistemano le lame. Questa precauzione è importante per assicurare il trattenimento delle lame e il bilanciamento del disco lame rotante. Il mancato utilizzo di viti nuove può provocare serie lesioni.

Mission™ RTKⁿ non taglia l'erba come altri tosaerba. Le sue lame sono affilatissime su tutti i 2 lati e ruotano in entrambe le direzioni raggiungendo la massima capacità di taglio. Il profilo della lama ridefinito impedisce che l'erba tagliata rimanga impigliata nello spazio tra il disco e la lama. Inoltre, disponendo di un nuovo materiale, la durata di vita utile di ogni lama sarà superiore a quella delle lame utilizzate da altre marche, se programmata per la falciatura quotidiana. Verificare sempre se le lame sono scheggiate o danneggiate e sostituirle, se necessario. Quando le lame sono smussate e usurate devono essere sostituite con le lame di ricambio fornite con Mission™ RTKⁿ. Le lame di ricambio sono anche disponibili presso il rivenditore Kress più vicino.



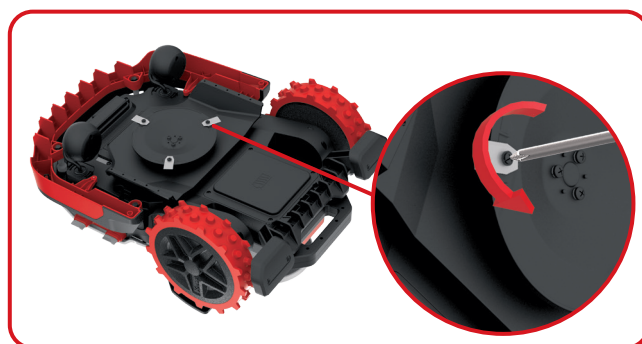
A. Sostituire le lame

Di solito le lame della tua Mission™ RTKⁿ devono essere invertite ogni mese e sostituite ogni settimana, puoi regolare la frequenza di sostituzione della lama in base alla qualità di taglio del prato. Pertanto, quando si sostituiscono le lame, assicurarsi di sostituirle tutte contemporaneamente. È possibile sostituirle con uno dei kit di lame di ricambio e le viti delle lame supplementari in dotazione con Mission™ RTKⁿ.

Prima di tentare di sostituire le lame di Mission™ RTKⁿ, spegnere il tosaerba e indossare guanti protettivi. Quindi attenersi alle seguenti procedure:

1. Capovolgere delicatamente Mission™ RTKⁿ.
2. Rimuovere il coperchio della batteria e rimuovere la batteria.
3. Svitare le viti delle lame con un cacciavite a taglio.
4. Avvitare saldamente le nuove lame.
5. Risistemare la batteria e il coperchio della batteria.

Importante: dopo aver avvitato la lama al disco della lama, assicurarsi che la lama possa girare liberamente.



2

Pulizia

AVVERTENZA: prima di eseguire la pulizia, spegnere Mission™ RTKⁿ. Indossare guanti protettivi prima di pulire il disco lame e non utilizzare acqua corrente.

AVVERTIMENTO! Si può lavare il tuo Mission™ RTKⁿ solo con la canna dell'acqua! **NON** utilizzare l'idropulitrice ad alta pressione su Mission™ RTKⁿ. L'acqua ad alta pressione può penetrare nelle guarnizioni e danneggiare le parti elettroniche e meccaniche.

A. Pulizia del corpo

Mission™ RTKⁿ dura più a lungo e meglio se pulito periodicamente. Dal momento che il vostro Mission™ RTKⁿ è un apparecchio elettrico dovete fare attenzione quando lo pulite. Puoi usare la canna dell'acqua. È meglio usare una bottiglia spray piena d'acqua. Per la pulizia dell'alloggiamento in plastica stampo utilizzare una spazzola morbida o un panno pulito ed evitare l'uso di solventi o lucidanti. Infine, assicurarsi di rimuovere tutto l'accumulo di erba tagliata e di detriti, soprattutto dalle prese d'aria di raffreddamento del motore.

B. Pulizia della scocca

Anche in questo caso, è importante spegnere Mission™ RTKⁿ e **indossare guanti protettivi prima di toccare il disco lama**. Prima capovolgere Mission™ RTKⁿ per esporne la parte inferiore. Qui si può notare il disco lame, il telaio scatolato motore circostante e le ruote anteriori e motrici. Pulire tutto accuratamente con una spazzola morbida o un panno umido. Puoi usare la canna dell'acqua.



Ruotare il disco lame per assicurarsi che ruoti liberamente. Controllare che le lame girino liberamente attorno alle viti di fissaggio. Rimuovere qualsiasi ostacolo.

IMPORTANTE: rimuovere i detriti depositatisi in modo che non causino crepe nel disco lame. Anche la più piccola crepa può ridurre la potenza di taglio di Mission™ RTKⁿ.



C. Pulizia dei pin di contatto e delle strisce di ricarica

Pulire con un panno i pin di contatto situati sulla base di ricarica e le strisce di ricarica situate su Mission™ RTKⁿ. Rimuovere periodicamente tutto l'accumulo di erba tagliata e di detriti intorno ai pin di contatto e alle strisce di ricarica per garantire ogni volta il corretto caricamento di Mission™ RTKⁿ.

3

Durata della batteria

Il cuore di Mission™ RTKⁿ è costituito da una batteria al litio a 20V. Per riporre la batteria in modo corretto, assicurarsi che sia completamente carica e riportarla in un luogo asciutto tra (-20°C~+60°C).

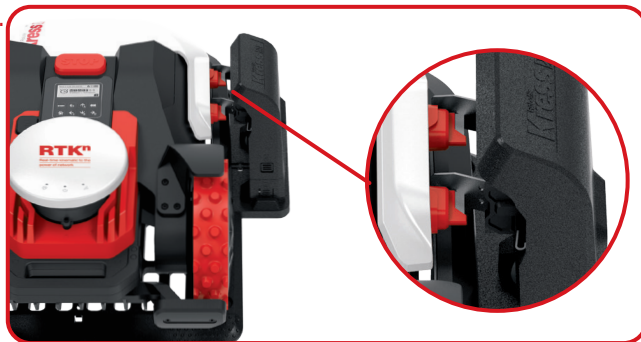
NOTA: La temperatura di esercizio raccomandata per Mission™ RTKⁿ è di 0°C - 55°C.

La vita utile della batteria di Mission™ RTKⁿ dipende da vari fattori, tra cui:

- la durata della stagione di taglio nella propria regione geografica;
- la quantità di ore in cui Mission™ RTKⁿ esegue il taglio giornaliero;
- la cura della batteria quando viene conservata.

Il modello Mission™ RTKⁿ può essere caricato manualmente.

1. Connettere la base di ricarica a una fonte di alimentazione adatta. La spia verde sulla base di ricarica si illuminerà.
2. Mentre Mission™ RTKⁿ è spento, agganciarlo manualmente alla base di ricarica.
3. La luce verde lampeggia sulla base di ricarica. Mission™ RTKⁿ comincerà la ricarica.



4

Rimessaggio invernale

Mission™ RTKⁿ dura più a lungo e conserva le prestazioni ottimali se viene riposto al coperto. Perciò, sebbene sia resistente, si consiglia di riporre Mission™ RTKⁿ nella rimessa o nel garage durante l'inverno.

Prima di riporre al coperto Mission™ RTKⁿ, assicurarsi di:

- pulire accuratamente Mission™ RTKⁿ;
- caricare completamente la batteria;
- spegnere il tosaerba.

Per massimizzare la durata della batteria si raccomanda di caricarla completamente prima di riporre l'attrezzo per l'inverno.

AVVERTENZA: Proteggere la parte inferiore di Mission™ RTKⁿ dall'acqua. Non riporre MAI Mission™ RTKⁿ all'aperto sottosopra.

NOTA: Quando si riattiva Mission™ RTKⁿ dal rimessaggio invernale, assicurarsi che le strisce di ricarica e i pin di contatto siano pulite. È meglio utilizzare carta vetrata fine. Utilizzando l'App assicurarsi che la data e l'ora siano corrette e rimandare Mission™ RTKⁿ a fare ciò adora: tagliare l'erba.

5

Sostituzione della batteria

AVVERTENZA: premere il tasto ON/OFF su OFF prima di effettuare qualsiasi regolazione, sostituzione o riparazione.

Prima sostituire le lame, spegnere Mission™ RTKⁿ e indossare dei guanti di protezione.

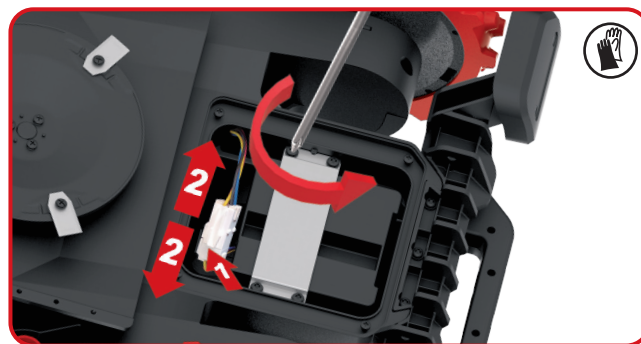
Se è necessario sostituire la batteria, attenersi a quanto segue procedura:

1. Capovolgere delicatamente Mission™ RTKⁿ.
2. Rimuovere le viti sulla batteria. Rimuovere il coperchio della batteria.

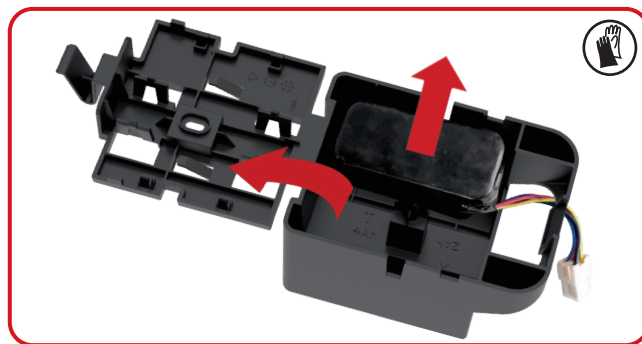


3. Rimuovere le viti presenti sulla lamiera.
Rimuovere la lamiera.
4. Premere il fermo e rilasciare i terminali come mostrato nell'immagine. Estrarre l'alloggiamento della batteria con cautela.

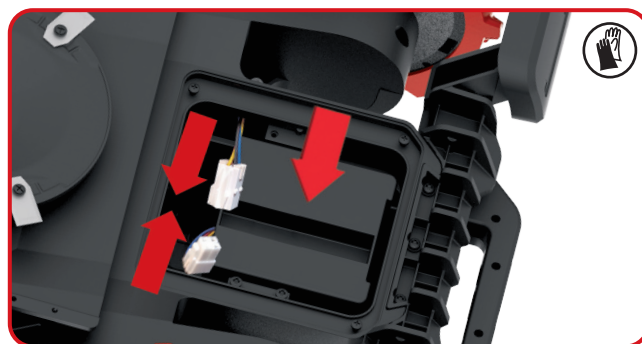
NOTA: non tirare dai cavi. Tenere con la mano i connettori e sganciare il fermo.



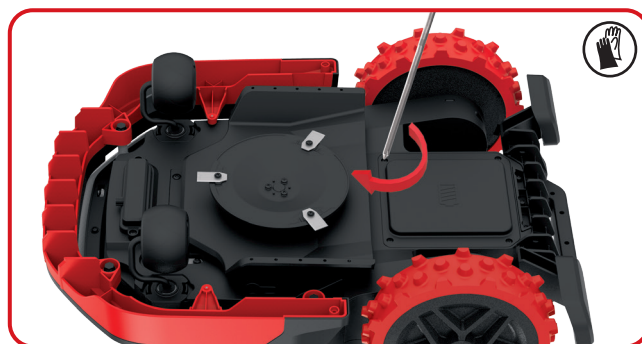
5. Aprire l'alloggiamento della batteria ed estrarre la batteria con cautela. Sostituire la batteria esausta con quella nuova.



6. Ricollocare la scatola batteria nella sua posizione e collegare i terminali. Ricollocare la lamiera.



7. Rimontare il coperchio e stringere saldamente le viti.




Risoluzione dei problemi di installazione

Se Mission™ RTKⁿ non funziona correttamente, attenersi alla guida alla risoluzione dei problemi di seguito. Se il problema persiste, contattare il rivenditore.

Problema	Causa	Soluzione
La luce LED presente sulla base di ricarica non si accende.	Assenza di alimentazione.	Verificare che la base di ricarica sia correttamente collegata al caricatore e che lo stesso sia collegato a un'alimentazione di rete appropriata.
Il Mission™ RTK ⁿ non riesce ad agganciarsi adeguatamente alla base di ricarica.	La fascetta magnetica è posizionata nella direzione sbagliata.	Verificare se la fascetta magnetica è posizionata effettivamente nella direzione sbagliata. Se posizionata correttamente, la striscia verde della fascetta magnetica è orientata verso la base di ricarica.
La macchina si esaurisce ma non ritorna alla base di ricarica.	Assenza di mappatura di una base di ricarica virtuale.	Ridisegnare la mappa e aggiungere la base di ricarica virtuale.
	La lunghezza della fascetta magnetica è inferiore a 2,5 metri.	La lunghezza della fascetta magnetica deve essere assolutamente superiore a 2,5 metri.
Quando il Mission™ RTK ⁿ è posizionato su un tratto in discesa, lo stesso supera la linea di confine.	L'angolo della linea di confine è estremamente acuto.	Evitare scenari caratterizzati da angoli acuti.
Dopo l'accensione del modello Mission™ RTK ⁿ , premendo il pulsante di avvio, il Mission™ RTK ⁿ non funziona.	Il Mission™ RTK ⁿ è al di fuori dell'area di lavoro.	Posizionare il Mission™ RTK ⁿ all'interno dell'area di lavoro.
	Segnale debole di posizionamento	Individuare un luogo libero da ostacoli, attendere che la luce del segnale di posizionamento diventi verde, dopodiché premere il pulsante di avvio.
Il Mission™ RTK ⁿ non emette alcun allarme quando è al di fuori della recinzione Geo.	Il software in dotazione al Mission™ RTK ⁿ non è aggiornato.	Aggiornare il software del Mission™ RTK ⁿ .
	Il Mission™ RTK ⁿ è spento.	Accendere il Mission™ RTK ⁿ .
Il Mission™ RTK ⁿ staziona al centro dell'ostacolo.	Gli ostacoli che circondano il Mission™ RTK ⁿ sono relativamente piccoli e la macchina non riesce a liberarsi.	Impostare l'area in cui il Mission™ RTK ⁿ può facilmente intrappolarsi come "Accesso Vietato".
	Il sensore del Mission™ RTK ⁿ presenta anomalie.	Accedere alla pagina di diagnostica del Mission™ RTK ⁿ sull'APP e verificare lo stato del sensore.
Incapacità di leggere il log	Il formato del disco-U non è FAT32 .	Convertire il formato del disco-U in FAT32 .
Il Mission™ RTK ⁿ staziona in prossimità della parete e non può essere acceso, inoltre la spia di posizionamento è sempre illuminata di rosso.	Il Mission™ RTK ⁿ opera nell'area in ombra per un periodo di tempo eccessivamente prolungato, facendo scattare la protezione di sicurezza.	Evitare che il Mission™ RTK ⁿ falci in zone eccessivamente ombreggiate.
	Nell'area sono presenti troppe pareti o alberi che oscurano il segnale di posizionamento.	

Tutela ambientale

 I prodotti elettrici non possono essere gettati tra i rifiuti domestici. L'apparecchio da rottamare deve essere portato al centro di riciclaggio per un corretto trattamento. Controllare con le autorità locali o con il rivenditore per localizzare il centro di riciclaggio più vicino.

Dichiarazione di conformità

Noi,
Positec Germany GmbH
Postfach 680194, 50704 Cologne, Germany

A nome di Positec si dichiara che il prodotto,

Descrizione **Robot tosaerba**

Codice **KR160E KR160E.A KR161E KR171E (100-199- Designazione del macchinario, rappresentativo della Robot tosaerba) (Anno, codice articolo e mese del numero di serie sono riportati sull'ultima pagina. Il numero di serie completo è chiaramente riportato sull'involucro del tosaerba) con caricabatterie KA0200 / KA0201 e base di ricarica KA0074**

Funzione **Falciatura prati**

È conforme alle seguenti direttive,

2006/42/EC, 2014/30/EU, 2014/35/EU, 2011/65/EU&(EU)2015/863, 2000/14/EC modificata dalla 2005/88/EC, 2014/53/EU

2000/14/EC modificata dalla 2005/88/EC

- Procedura di conformità come da
- Potenza acustica pesata
- Massima potenza di rumore garantita

Annex V
55.5 dB (A)
59 dB (A)

Conforme a,

Per il tosaerba: EN 50636-2-107:2015+A1:2018+A2:2020+A3:2021, EN 60335-1:2012+A11:2014+A13:2017+A1:2019+A2:2019+A14:2019+A15:2021, EN IEC 62311:2020, EN IEC 55014-1:2021, EN IEC 55014-2:2021, EN IEC 61000-3-2:2019+A1:2021, EN 61000-3-3:2013+A1:2019+A2:2021

Per il modulo a ultrasuoni: EN 55011:2016+A11:2020

Per il modulo 4G+GPS: EN 301 489-1 V2.2.3, EN 301 489-19 V2.1.1, EN 301 489-52 V1.2.1, EN 301 511 V12.5.1, EN 301 908-1 V15.0.1, EN 301 908-13 V13.1.1, EN 303 413 V1.2.1

Per il caricabatterie: EN IEC 55014-1:2021, EN IEC 55014-2:2021, EN IEC 61000-3-2:2019+A1:2021, EN 61000-3-3:2013+A1:2019+A2:2021, EN IEC 60335-2-29:2021+A1:2021, EN 60335-1:2012+A11:2014+A13:2017+A1:2019+A2:2019+A14:2019+A15:2021, EN 62233:2008

Per il rumore: EN ISO 3744:1995

Per il RoHS: EN IEC 63000:2018

Il responsabile autorizzato alla compilazione della documentazione tecnica,

Nome Marcel Filz

Indirizzo Positec Germany GmbH Postfach 680194, 50704 Cologne, Germany



2024/02/28

Allen Ding

Vice capo ingegnere, testing e certificazione

Positec Technology (China) Co., Ltd.

18, Dongwang Road, Suzhou Industrial Park, Jiangsu 215123, P. R. China

Los usuarios pueden consultar las instrucciones electrónicas en <https://www.kress.com/en/>.

Seguridad del producto

Instrucciones generales y adicionales de seguridad



ADVERTENCIA: Lea todas las advertencias e instrucciones de seguridad. El incumplimiento de las advertencias e instrucciones puede provocar una descarga eléctrica, incendio y/o lesiones graves.

Lea atentamente las instrucciones para un correcto funcionamiento de la máquina. Guarde todas las advertencias e instrucciones como referencia para el futuro.

- Este aparato no se ha diseñado para ser utilizado por personas (incluidos niños) con una incapacidad física, sensorial o mental reducida, o falta de experiencia y conocimiento, a menos que una persona responsable de su seguridad les autorice a ello o les proporcione la formación necesaria para usar el aparato.
- No se debe permitir que los niños jueguen con este aparato.
- Este aparato contiene baterías que solo son reemplazables por personas expertas. **ADVERTENCIA:** Para recargar la batería, utilice únicamente la unidad de alimentación desmontable proporcionada con este aparato.

IMPORTANTE

**LEA ATENTAMENTE ANTES DE USAR
GUARDE COMO REFERENCIA PARA EL FUTURO**

Prácticas para un correcto funcionamiento Formación

- Lea las instrucciones con atención. Asegúrese que ha entendido las instrucciones y se ha familiarizado con los controles y el uso apropiado del aparato;
- No permita que el aparato sea usado por niños o por personas que desconocen las instrucciones. La normativa local puede restringir la edad del operador;

- El operador o usuario es responsable de los accidentes o peligros que se produzcan a otras personas o propiedades.

Preparación

- Confirme que la frontera virtual se ha colocado según las instrucciones y que se mantiene regularmente. Antes de cada ciclo de trabajo, la máquina marcha alrededor de la zona de trabajo para comprobar si existe la frontera virtual, si no existe, la máquina se para. La frontera virtual especifica la zona de trabajo en la que se permite trabajar a la máquina. La antena RTK en la máquina detecta cuándo se está aproximando a la frontera virtual. Cuando la máquina golpea un obstáculo o se aproxima a la frontera virtual, el producto selecciona una nueva dirección.
- Revise periódicamente el área donde el aparato se va a utilizar y elimine todas las piedras, palos, cables, huesos y otros objetos extraños.
- Periódicamente realice una inspección visual para comprobar que las cuchillas, los pernos de las cuchillas y el montaje del equipo de corte no estén desgastados o dañados. Cambie el juego completo de cuchillas y pernos para conservar el equilibrio.
- Tenga cuidado con los equipos que presentan un sistema multiteje porque el giro de una hoja puede provocar que las otras hojas también giren.
- ¡ADVERTENCIA!** La cortadora de césped no debe utilizarse sin el protector.

Funcionamiento

1. Aspectos generales

- Nunca haga funcionar el aparato con los protectores defectuosos o sin los dispositivos de seguridad, por ejemplo, los deflectores, en su sitio;
- No ponga las manos ni los pies cerca o debajo de las partes giratorias. Manténgase alejado de la apertura de descarga en todo momento;
- Nunca levante o transporte el aparato con el motor en marcha;
- Accionar el dispositivo de desconexión del aparato.
 - Antes de despejar un obstáculo;
 - Antes de inspeccionar, limpiar o trabajar con el equipo;
 - Tras golpear un objeto extraño hay que inspeccionar si la máquina tiene daños;
 - Si la máquina empieza a vibrar anormalmente, y comprobar si hay daños

antes de volver a arrancar.

- e) No se permite modificar el diseño original del robot cortacésped. Todas las modificaciones se hacen bajo su propio riesgo.
- f) Ponga en marcha el robot cortacésped según las instrucciones. Cuando se enciende la alimentación, hay que asegurarse de que manos y pies estén alejados de las cuchillas rotatorias. Nunca ponga los pies o las manos debajo del cortacésped.
- g) Nunca elevar el robot cortacésped ni transportarlo si está encendido.
- h) No permita que el robot cortacésped sea usado por personas que desconocen su funcionamiento.
- i) No ponga nada encima del robot cortacésped o el cargador.
- j) No permita que se use el robot cortacésped con una cuchilla de corte o mecanismo defectuoso. Tampoco se debe utilizar con cuchillas, tornillos, tuercas o cables defectuosos.
- k) Apague el robot cortacésped siempre que no tenga intención de utilizarlo. El robot cortacésped únicamente se puede poner en marcha si está encendido y se ha introducido el código PIN correcto.
- l) Mantenga las manos y los pies alojados de las hojas en movimiento. No coloque nunca las manos o los pies cerca o debajo del cuerpo del cortacésped robótico cuando esté en funcionamiento.
- m) La máquina y sus dispositivos periféricos no se deben utilizar cuando haga mal tiempo, especialmente si existe riesgo de tormenta eléctrica.
- n) No toque las piezas móviles peligrosas hasta que se hayan parado por completo.
- o) Para usar máquinas en áreas públicas, los signos de advertencia deben colocarse en lugares donde la máquina está en funcionamiento. Ellos deberían enseñar el significado del siguiente texto:
Advertencia! Cortacésped automático!
Manténgase lejos de la máquina! Vigile a los niños!
- p) Para evitar el riesgo de lesiones, por favor detenga la cortadora y lleve la cortadora a otro césped para segar. Nunca arrastre ni tire de la cortadora en funcionamiento al cambiar el césped a segar.

2. En el caso de que el equipo funcione automáticamente

- a) No deje que el aparato funcione sin vigilancia si sabe que hay animales domésticos, niños

o personas en los alrededores.

Mantenimiento y almacenamiento



¡ADVERTENCIA! Cuando se pone boca abajo, el cortacésped la alimentación debe estar apagada.

La alimentación debe estar apagada durante cualquier trabajo que se realice en el bastidor inferior del cortacésped, como la limpieza o la sustitución de las cuchillas.

- a) Mantenga todas las tuercas, pernos y tornillos apretados para unas condiciones de trabajo seguras.
- b) Por su seguridad inspeccione el robot cortacésped cada semana y sustituya las piezas desgastadas o dañadas;
- c) Compruebe que las cuchillas y el disco de corte no están dañados. Cuando sea necesario cambie las cuchillas y los tornillos al mismo tiempo a fin de que las partes giratorias estén equilibradas.
- d) Asegúrese de que las partes cortantes que se sustituyen son del tipo correcto.
- e) Asegúrese de que las baterías se cargan con el cargador correcto recomendado por el fabricante. El uso incorrecto puede provocar descargas eléctricas, sobrecalentamiento o una fuga del líquido corrosivo de la batería;
- f) En el caso de que se produzca una fuga de electrolito y se mezcle con agua o agente neutralizante, busque ayuda médica si entrara en contacto con los ojos, etc.;
- g) La asistencia técnica del equipo se debería realizar de acuerdo con las instrucciones del fabricante.

Recomendación

Conecte la máquina y sus dispositivos periféricos únicamente a un circuito de alimentación protegido mediante un interruptor diferencial (ID) con una corriente de disparo que no sea superior a 30 mA.

Riesgos residuales

Para evitar lesiones, utilice guantes de protección para sustituir las cuchillas.

Transporte

Para el transporte del robot cortacésped a largas distancias, se debe utilizar el embalaje original.

Para un traslado seguro desde o dentro de la zona de trabajo:

- a) Pulse el botón STOP para detener la segadora. Selecciona los cuatro dígitos del

PIN cuando utiliza la segadora por primera vez.

- b) Apague el robot cortacésped siempre que tenga intención de transportarlo.
- c) Lleve el cortacésped por el mango de la parte trasera. Lleve el cortacésped con el disco de corte lejos del cuerpo.

Requisitos expuestos RF

Para satisfacer los requisitos expuestos RF, una separación de 200mm o más debería de ser mantenida entre el dispositivo y las personas durante sus operaciones.

Para garantizar la conformidad, no se recomiendan operaciones a una distancia menor a esta distancia. La antena utilizada para este transmisor no debe colocarse junto con ninguna otra antena o transmisor.

Este es un aparato de clase III y deber ser alimentados solo con muy baja tensión de seguridad según el marcado en el aparato.

Advertencias de seguridad para la batería del interior de la herramienta

- a) **No desmonte, abra o destruya las pilas o las baterías recargables.**
- b) **No provoque un cortocircuito en la batería. No almacene las baterías de forma descuidada en una caja o cajón donde podría provocar un cortocircuito entre ellas o mediante otros objetos metálicos.** Cuando la batería no esté siendo utilizada, manténgala alejada de objetos metálicos, como clips de papel, monedas, llaves, clavos, tornillos u otros objetos metálicos pequeños, que pueden posibilitar la conexión de un borne con otro. Al provocar un cortocircuito con los bornes de la batería se pueden sufrir quemaduras o generar un incendio.
- c) **No exponga las baterías al calor o al fuego. No las guarde expuestas directamente al sol.**
- d) **No exponga las baterías a impactos mecánicos.**
- e) **En caso de que la batería tenga fugas de líquido, no permita que el líquido entre en contacto con la piel o los ojos. Si se produce el contacto, lave la zona afectada con grandes cantidades de agua y acuda a un médico.**
- f) **Mantenga las baterías limpias y secas.**
- g) **Recargue solo con el cargador indicado por Kress. No utilice ningún otro cargador que no sea el específicamente**

proporcionado para el uso con este equipo.

- h) **No utilice ninguna batería distinta a la diseñada para utilizarse con el aparato.**
- i) **Mantenga la batería fuera del alcance de los niños.**
- j) **Conserve la documentación original del producto por si tuviera que consultarla en otro momento.**
- k) **Deshágase del producto correctamente.**
- l) **No mezcle celdas de diferente fabricación, capacidad, tamaño o tipo dentro de un mismo dispositivo.**
- m) **Mantener la batería lejos de microondas y alta presión.**
- n) **¡Advertencia! No utilice baterías no recargables.**

Requisitos del manual de usuario para el producto inalámbrico

- a) El funcionamiento de este dispositivo está sujeto a las siguientes condiciones:
 - (1) Este dispositivo no puede causar interferencias perjudiciales, y
 - (2) debe aceptar cualquier interferencia recibida, incluyendo las que puedan causar un funcionamiento indeseado.
- b) Precaución: Los cambios o modificaciones a este aparato que no estén expresamente aprobados por la parte responsable del cumplimiento podrían anular la autoridad del usuario para utilizar el equipo.
- c) NOTA: Este equipo genera, usa y puede radiar energía de radiofrecuencia y, si no se instala y usa de acuerdo con las instrucciones, puede causar interferencias perjudiciales para las comunicaciones de radio. Sin embargo, no se garantiza que no ocurran interferencias en una instalación particular. Si este equipo causa interferencias perjudiciales en la recepción de radio o televisión, lo cual puede determinarse apagando y encendiendo el equipo, se recomienda al usuario que intente corregir las interferencias mediante una o varias de las siguientes medidas:
 - Reoriente o reubique la antena receptora.
 - Aumente la distancia entre el equipo y el receptor.
 - Conecte el equipo a una toma de corriente de un circuito diferente al que está conectado el receptor.
 - Consulte con el proveedor o un técnico con experiencia en radio/TV para obtener ayuda.

Símbolos



ADVERTENCIA –EL ROBOT CORTACÉSPED puede ser peligroso si se usa incorrectamente. Lea con atención el Manual de Usuario y entienda su contenido antes de usar su ROBOT CORTACÉSPED.



Las baterías pueden entrar en el ciclo del agua si se desechan incorrectamente, lo que puede ser peligroso para el ecosistema. No deseches las baterías inútiles como residuos municipales sin clasificar.



ADVERTENCIA - Manténgase a una distancia segura mientras la máquina esté en funcionamiento.



No lave la máquina utilizando agua a alta presión.



ADVERTENCIA – Apague la máquina antes de trabajar en ella o levantarla.



Leer el manual de operador



ADVERTENCIA –No use la máquina como medio de transporte.



Unidad de alimentación desmontable



Dispositivo de clase III

64

ES



Los residuos de aparatos eléctricos y electrónicos no deben depositarse en la basura doméstica. Se deben reciclar en las instalaciones especializadas. Consulte a las autoridades locales o el establecimiento para saber cómo reciclar estos productos.



Li-Ion

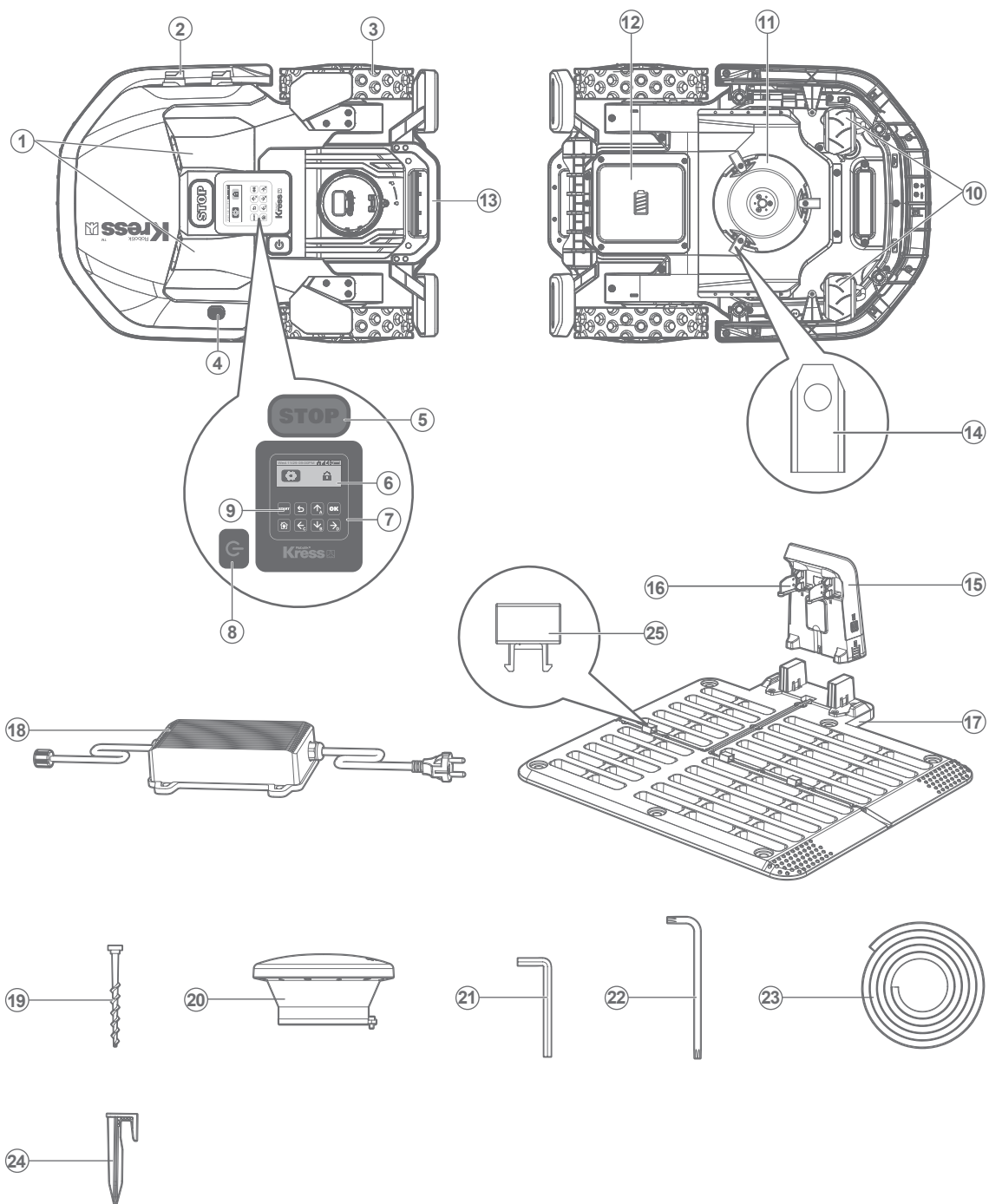


Batería de iones de litio. Este producto está marcado con un símbolo que indica que todas las pilas y baterías se deben desechar de forma especial. Seguidamente, esos componentes se reciclarán o desarmarán para reducir el impacto en el medio ambiente. Las baterías pueden ser peligrosas para el medio ambiente y para la salud humana, ya que contienen sustancias peligrosas.



No incinerar

Lista de componentes



- | | |
|--|---|
| 1. Sensor ultrasónico (Únicamente para KR160E.A, KR161E, KR171E) | 14. Hoja de la cuchilla |
| 2. Pletina de carga | 15. Pins de contacto |
| 3. Rueda de tracción trasera | 16. Pletinas |
| 4. Sensor de lluvia | 17. Base de carga |
| 5. Botón stop (detener) | 18. Cable delimitador |
| 6. Pantalla | 19. Tornillos de sujeción de la base de carga |
| 7. Teclado | 20. Antena RTK |
| 8. Tecla de encendido y apagado | 21. Llave allen |
| 9. Tecla start | 22. Llave para la antena RTK |
| 10. Ruedas delanteras | 23. Tira magnética |
| 11. Disco girador de la cuchilla | 24. Piquetas |
| 12. Batería * | 25. Hebilla |
| 13. Mango | |

* Los accesorios ilustrados o descritos pueden no corresponder al material suministrado de serie con el aparato.

Datos técnicos

Modelo **KR160E KR160E.A KR161E KR171E (100-199 - denominaciones de maquinaria, representantes de Robot Cortacesped)**

66

ES

	KR160E	KR160E.A	KR161E	KR171E
Tensión nominal	20V $\overline{=}$ Max.*			
Velocidad en vacío	2700/min			
Área de corte **	600 m ²		1000 m ²	1500 m ²
Diámetro de corte	20 cm			
Altura de corte	30-60 mm			
Posiciones de la altura de corte	7			
Tipo de batería	Litio			
Modelo de la batería	KA3024			
Tiempo de carga aprox.	180 min			
Modelo del cargador	KA0200 / KA0201			
Datos nominales del cargador	Entrada: 100-240 V~50/60 Hz, 38 W, Salida: 20 V, 1.5 A			
Peso de la Máquina	12 kg		12.2 kg	
Clase de protección	III			
Aplicación	Y			
Pendiente máxima dentro de la superficie de trabajo	40%			

* Voltaje medido sin carga. El voltaje inicial máximo de la batería es de 20 voltios. El voltaje nominal es de 18 voltios.

** La superficie total de corte dentro de todos los preajustes activos no debe superar el tamaño de área recomendado. El área excedida no puede asignarse a la cortadora.

Datos técnicos de la antena

Tensión nominal	5V±2%		
Temperatura de funcionamiento	-40°C~85°C		
Temperatura de almacenamiento	-40°C~85°C		
Banda	Tx(Mhz)	Rx(Mhz)	Alimentación de salida RF (Máx.)
GSM900(B8)	880-915	925-960	33dBm
DCS1800(B3)	1710-1785	1805-1880	30dBm
WCDMA B1	1920-1980	2110-2170	24dBm
WCDMA B8	880-915	925-960	24dBm
LTE-FDD B1	1920-1980	2110-2170	23dBm
LTE-FDD B3	1710-1785	1805-1880	23dBm
LTE-FDD B7	2500-2570	2620-2690	23dBm
LTE-FDD B8	880-915	925-960	23dBm
LTE-FDD B20	832-862	791-821	23dBm
LTE-FDD B28	703-748	758-803	23dBm
LTE-TDD B38	2570-2620	2570-2620	23dBm
LTE-TDD B40	2300-2400	2300-2400	23dBm

67
ES

Datos técnicos para 4G-GPS

Módulo 4G - GNSS	Banda GNSS GPS L1	1575.42+/-1.023
	Banda Galileo E1	1575.42+/-1.023
	Banda BDS E11	1561.098+/-2.046
	Banda GLONASS G1	1579.5~1605.8

Información de ruido

	KR160E KR160E.A KR161E KR171E
Nivel de presión acústica de ponderación	$L_{pA} = 47.5 \text{ dB (A)}, K_{pA} = 3.0 \text{ dB(A)}$

Nivel de potencia acústica de ponderación

$L_{WA} = 55.5 \text{ dB (A)}$, $K_{WA} = 3.0 \text{ dB(A)}$

Úsese protección auditiva cuando la presión acústica sea mayor a

80dB(A) 

Es inevitable un cierto grado de ruido procedente de la máquina. El trabajo con maquinarias ruidosas está sujeto a licencia y debe estar limitado a determinados periodos. Respete los periodos de descanso y puede que sea necesario restringir las horas de trabajo al mínimo. Para su protección personal y la de las personas que trabajen cerca, debe usar una protección auditiva adecuada.

Accesorios

	KR160E	KR160E.A	KR161E	KR171E
Tornillos de fijación de las cuchillas	9	9	9	9
Base de carga	1	1	1	1
Tornillos de sujeción de la base de carga	6	6	6	6
Llave allen	1	1	1	1
Llave para la antena RTK	1	1	1	1
Tira magnética	1	1	1	1
Calibre de medición	2	2	2	2
Cuchillas	9	9	9	9
Antena RTK	1	1	1	1
Piquetas	16	16	16	16
Batería (KA3024)	1	1	1	1
Cargador (KA0200/KA0201)	1	1	1	1

Recomendamos que adquiera todos sus accesorios en el mismo comercio donde compró la herramienta. Consulte los estuches de los accesorios para más detalles. El personal del comercio también puede ayudar y aconsejar.

Utilización reglamentaria

Este producto ha sido proyectado para utilizarse en el área doméstica. Se ha diseñado para cortar el césped con frecuencia, permitiéndole disfrutar de un césped más verde y de mejor aspecto como nunca antes. Según el tamaño de su jardín, Mission™ RTKⁿ puede programarse para funcionar en cualquier momento o con la frecuencia que desee. No está diseñado para cavar, barrer ni quitar nieve.

Mantenimiento

Tiene que revisar su Mission™ RTKⁿ de vez en cuando. El Mission™ RTKⁿ trabaja mucho y después de un tiempo necesita una buena limpieza, así como reemplazar aquellas partes que se hayan podido desgastar. Nunca use su Mission™ RTKⁿ si el interruptor On/Off está defectuoso.

Apague la máquina antes de realizar cualquier servicio técnico o mantenimiento.

En los siguientes apartados queremos informarle de cómo hacer que su nuevo Mission™ RTKⁿ se adapte a su nuevo hogar y darle el mejor cuidado posible.

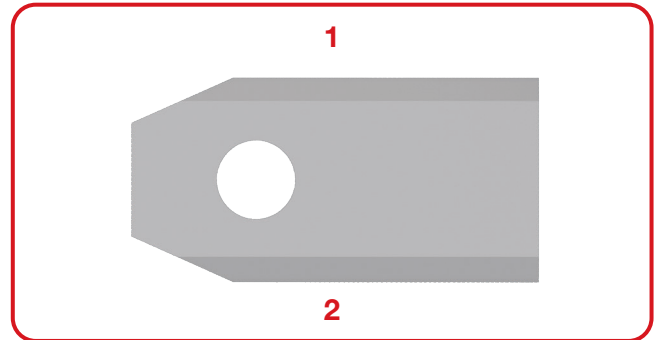
1

Mantenerlo afilado

⚠️ ADVERTENCIA: Antes de limpiar, ajustar o reemplazar las hojas, apague su Mission™ RTKⁿ OFF y póngase guantes de protección.

⚠️ ADVERTENCIA: Para sustituir la cuchilla, asegúrese de cambiar todas las hojas si cambia una. Utilice siempre tornillos nuevos para instalar las cuchillas. Esto es importante para asegurarse de que las cuchillas queden fijadas correctamente y que el disco de rotación de las cuchillas esté bien equilibrado. La no utilización de tornillos nuevos podría ocasionar lesiones graves.

El Mission™ RTKⁿ no corta el césped como las otras cortadoras. Las cuchillas son como un cuchillo afilado en los 2 bordes y gira en ambas direcciones para obtener una capacidad máxima de corte. El perfil de la cuchilla rediseñado evita que los trozos de césped queden atrapados en la holgura entre el disco y la cuchilla. Y con un nuevo material, la vida útil de cada cuchilla de corte será mayor que la de otras marcas cuando se programe para cortar césped cada día. Siempre revise si las cuchillas están astilladas o dañadas y cámbielas si lo están. Cuando la hoja de corte esté roma o desgastada, se debe cambiar por una hoja de repuesto proporcionada con su Mission™ RTKⁿ. También puede obtener las hojas de repuesto en su distribuidor de Kress más cercano.

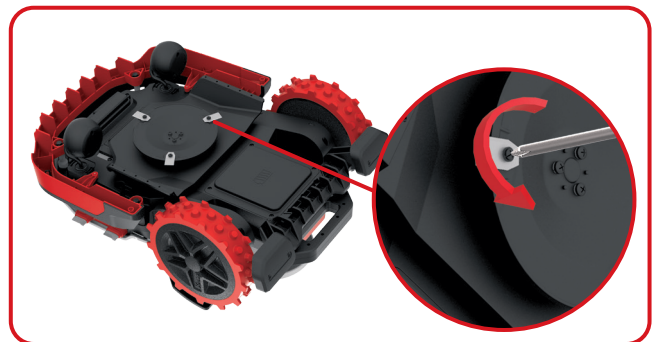


A. Sustituir las cuchillas

Por lo general, las cuchillas del Mission™ RTKⁿ se tienen que invertir cada mes y sustituir cada semana, se puede ajustar la frecuencia de reemplazo de las cuchillas según la calidad de corte del césped. Así que cuando cambie las cuchillas, asegúrese de cambiarlas todas al mismo tiempo. Se pueden reemplazar con uno de los conjuntos de cuchillas de repuesto y tornillos adicionales suministrados con el Mission™ RTKⁿ.

Antes de proceder a cambiar las cuchillas del Mission™ RTKⁿ, apague el cortacésped y póngase guantes de protección. Luego siga los pasos siguientes:

1. Ponga el Mission™ RTKⁿ del revés con delicadeza
2. Extraiga la cubierta de la batería y la batería.
3. Saque los tornillos de las cuchillas con un destornillador de punta plana.
4. Atornille las hojas nuevas firmemente.
5. Vuelva a instalar la batería y la cubierta de la batería.



Importante: Después de enroscar las cuchillas al disco de corte, asegúrese de que el disco puede girar libremente.

2

Manténgalo limpio

! **ADVERTENCIA:** Antes de la limpieza, apague su Mission™ RTKⁿ. Póngase guantes de protección antes de limpiar el disco de corte y no utilice agua corriente.

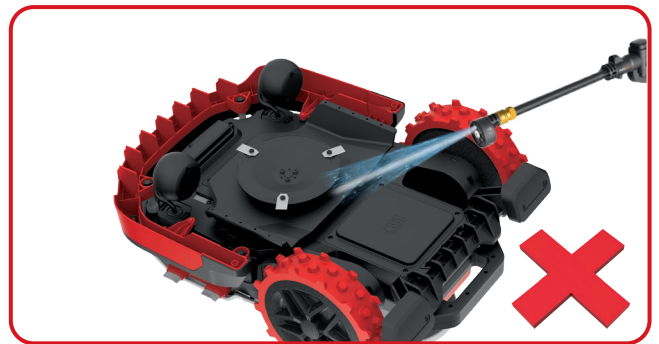
! **Advertencia!** ¡SU Mission™ RTKⁿ. sólo se puede lavar usando una manguera! NO utilice lavadoras de alta presión en su Mission™ RTKⁿ. El agua de alta presión puede entrar en el interior y dañar las piezas electrónicas y mecánicas.

A. Sustituir las cuchillas

El Mission™ RTKⁿ tendrá una vida mucho más saludable y larga más si se limpia con regularidad. Tenga en cuenta que su Mission™ RTKⁿ es una máquina eléctrica, por lo que deberá tener cuidado al limpiarla. Se admite la limpieza de agua de manguera. Es mejor utilizar un atomizador lleno con agua. Al limpiar la carcasa de plástico utilice un cepillo suave o un paño limpio y evite el uso de solventes o limpiadores. Por último, asegúrese de retirar toda la acumulación de restos de césped y residuos, especialmente de las rejillas de ventilación del motor.

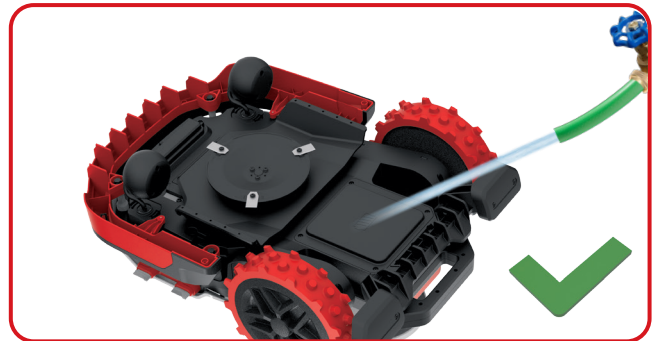
B. Limpieza de la parte inferior

Una vez más, es importante que apague el Mission™ RTKⁿ y use guantes de protección antes de tocar el disco de corte. En primer lugar, coloque la Mission™ RTKⁿ boca abajo para exponer la parte inferior. Aquí verá el disco de corte, la caja del motor y las ruedas delanteras y motrices. Limpie todo a fondo con un cepillo suave o un paño húmedo. Se admite la limpieza de agua de manguera.



70
ES Gire el disco de corte para asegurarse de que gira libremente. Compruebe que las cuchillas giran libremente sobre los tornillos de fijación. Quite cualquier obstrucción que se haya podido generar.

IMPORTANTE: Elimine todos los residuos para que no se resquebraje el disco de corte. La más pequeña fisura puede disminuir el rendimiento de corte de su Mission™ RTKⁿ.



C. Limpie las pletinas de los contactos y las regletas de carga

Con un paño, limpie la pletina de contacto situada en la base de carga y la regleta de carga situada en su Mission™ RTKⁿ. Quite cualquier resto de hierba cortada alrededor de las patillas de contacto y las regletas de carga para garantizar que su Mission™ RTKⁿ se carga correctamente en todo momento.

3

Duración de la batería

El corazón del Mission™ RTKⁿ es la Batería de Lito de 20 voltios. Para un almacenamiento correcto de la batería, asegúrese de que está totalmente cargada y en un lugar fresco y seco (-20°C~+60°C).

NOTA: La temperatura de funcionamiento recomendada para el Mission™ RTKⁿ es de 0°C - 55°C.

La vida útil de la batería del Mission™ RTKⁿ depende de varios factores, tales como:

- Duración de la temporada de corte en su región
- Cantidad de horas que el Mission™ RTKⁿ funciona diariamente
- La forma de tratar la batería durante el almacenamiento

Mission™ RTKⁿ se puede cargar manualmente.

1. Conecte la Base de Carga a una toma de corriente adecuada. La luz verde de la base de carga se encenderá.
2. Conecte manualmente el Mission™ RTKⁿ en la Base de Carga mientras el Mission™ RTKⁿ está apagado.
3. Luz verde intermitente en la base de carga. Se inicia el proceso de carga del Mission™ RTKⁿ.



4

Hibernación

Su Mission™ RTKⁿ vivirá más tiempo y más saludable si se le permite hibernar. Así que, aunque es pesado, le recomendamos que durante el invierno guarde el Mission™ RTKⁿ en el cobertizo o en el garaje.

Antes de poner su Mission™ RTKⁿ a hibernar, debe asegurarse de:

- Limpiar a fondo su Mission™ RTKⁿ
- Cargar completamente la batería
- Voltrear el cortacésped

Para maximizar la vida útil de la batería, le recomendamos que la cargue totalmente antes de almacenarla durante el invierno.

! **ADVERTENCIA:** Proteja los bajos del Mission™ RTKⁿ frente al agua. **NUNCA** almacene el Mission™ RTKⁿ cara arriba al aire libre si con ello queda expuesto al agua.

NOTA: Cuando vuelva a usar el Mission™ RTKⁿ después de la hibernación, asegúrese de que las bandas de carga y patillas de contacto están limpias, lo mejor es usar un paño muy suave. En la aplicación, compruebe que la fecha y la hora sean correctas y devuelva el Mission™ RTKⁿ a lo que mejor se le da: cortar el césped.

5

Sustituir la Batería

! **ADVERTENCIA:** Pulse el botón ON/OFF en OFF antes de realizar cualquier ajuste, sustitución o reparación.

Antes de reemplazar las hojas, apague su Mission™ RTKⁿ OFF y póngase guantes de protección.

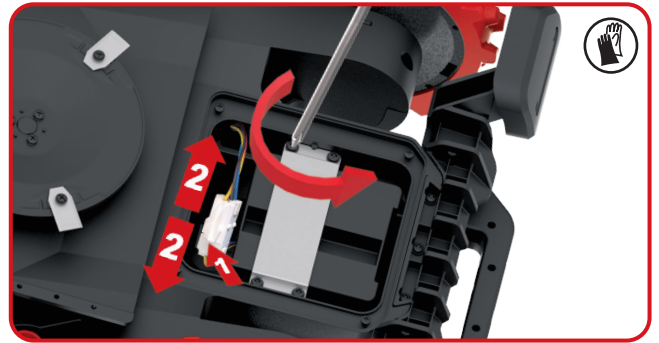
Si hay que sustituir la batería, siga estos pasos:

1. Ponga el Mission™ RTKⁿ del revés con delicadeza.
2. Retire los tornillos de la batería. Retire la cubierta de la batería.

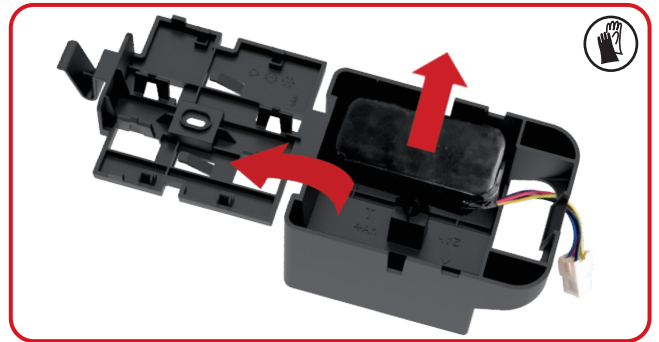


3. Retire los tornillos de la chapa metálica.
Retire la chapa metálica.
4. Presione el enganche y suelte los conectores como muestra la ilustración. Saque cuidadosamente la caja de la batería.

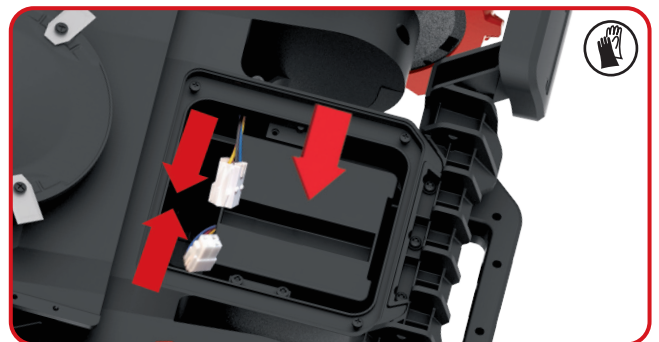
NOTA: No la sujete por los cables. Sostenga los conectores y libere el pestillo.



5. Abra la caja de la batería y luego saque cuidadosamente la batería. Sustituya la batería antigua por la nueva.



6. Ponga la caja de batería de nuevo en su posición y enchufe los conectores. Retire la chapa metálica.



7. Vuelva a instalar la cubierta en su posición y apriete bien los tornillos.




Problemas durante la instalación

Si su Mission™ RTKⁿ no funciona correctamente, siga esta Guía de Resolución de Problemas. Si el problema persiste, contacte con su distribuidor.

Síntoma	Causa	Solución
La luz LED de la base de carga no se enciende.	No hay alimentación.	Comprobar que la base de carga está correctamente conectada al cargador y que el cargador está conectado a un suministro de energía adecuado.
Mission™ RTK ⁿ no se puede acoplar correctamente a la base de carga.	La tira magnética está colocada en la dirección incorrecta.	Comprobar si la tira magnética está colocada en la dirección incorrecta. Cuando está colocada correctamente, la franja verde de la tira magnética está orientada hacia el exterior de la base de carga.
La máquina se queda sin energía, pero no vuelve a base de carga.	No se ha mapeado la base de carga virtual.	Reconstruir el mapa y añadir la base de carga virtual.
	La longitud de la tira magnética es menor de 2,5 m.	Se debe garantizar una longitud de la tira magnética mayor de 2,5 m.
Cuando Mission™ RTK ⁿ va cuesta abajo, sobrepasa la línea de frontera.	El ángulo de la línea de frontera es muy pronunciado.	Tratar de evitar escenarios con ángulos pronunciados.
Después de encender Mission™ RTK ⁿ , se presiona el botón de arranque, pero Mission™ RTK ⁿ no funciona.	Mission™ RTK ⁿ está fuera de la zona de trabajo.	Mover Mission™ RTK ⁿ dentro de la zona de trabajo.
	Mala señal de posicionamiento	Encontrar un lugar abierto, esperar que la luz de señal de posicionamiento se ponga verde, y luego presionar el botón de arranque.
Mission™ RTK ⁿ no emite una alarma cuando está fuera de la Geocerca.	Mission™ RTK ⁿ no tiene la última versión de software.	Actualizar el software de Mission™ RTK ⁿ .
	Mission™ RTK ⁿ está apagado.	Encender Mission™ RTK ⁿ .
Mission™ RTK ⁿ está estacionado en el medio del obstáculo.	Los obstáculos alrededor de Mission™ RTK ⁿ son relativamente pequeños, y Mission™ RTK ⁿ no puede detectarlo.	Establecer el área donde Mission™ RTK ⁿ se quede atrapado fácilmente, como no pasar (No-Go).
	El sensor de Mission™ RTK ⁿ tiene una anomalía	Buscar la página de diagnóstico del Mission™ RTK ⁿ en la APP y comprobar el estado del sensor.
No se puede leer el registro	El formato de la unidad USB no es FAT32 .	Convertir el formato de la unidad USB a FAT32 .
Mission™ RTK ⁿ está estacionado alrededor de la pared y no se puede arrancar, y la luz de posicionamiento siempre está en rojo.	Mission™ RTK ⁿ ha estado funcionando en una zona con sombra durante mucho tiempo, activando la protección de seguridad.	Intentar evitar que Mission™ RTK ⁿ trabaje en áreas con demasiada sombra.
	Hay demasiadas paredes o árboles en el área que bloquean la señal de posicionamiento	

Protección ambiental

 Los residuos de equipamientos eléctricos y electrónicos no deben depositarse con las basuras domésticas. Se recogen para reciclarse en centros especializados. Consulte las autoridades locales o su distribuidor para obtener información sobre la organización de la recogida.

Declaración de conformidad

Los que reciben,
Positec Germany GmbH
Postfach 680194, 50704 Cologne, Germany

En nombre de Positec declaran que el producto,
Descripción **Robot Cortacesped**
Modelo **KR160E KR160E.A KR161E KR171E (100-199- denominaciones de maquinaria, representantes de Robot Cortacesped) (El año, la referencia y el mes del número de serie se indican en la página posterior. El número de serie completo se indica de forma clara en la carcasa del cortacésped) con cargador de batería KA0200 / KA0201 y base de carga KA0074**
Función **corte de césped**

Cumple con las siguientes Directivas,
2006/42/EC, 2014/30/EU, 2014/35/EU, 2011/65/EU&(EU)2015/863, 2000/14/EC modificada por 2005/88/EC, 2014/53/EU

2000/14/EC modificada por 2005/88/EC

- Procedimiento de evaluación de la conformidad de acuerdo con
- Nivel de presión acústica
- Nivel de intensidad acústica

Annex V
55.5 dB (A)
59 dB (A)

74

ES

Normativas conformes a,

Para cortacésped: EN 50636-2-107:2015+A1:2018+A2:2020+A3:2021, EN 60335-1:2012+A11:2014+A13:2017+A1:2019+A2:2019+A14:2019+A15:2021, EN IEC 62311:2020, EN IEC 55014-1:2021, EN IEC 55014-2:2021, EN IEC 61000-3-2:2019+A1:2021, EN 61000-3-3:2013+A1:2019+A2:2021

Para módulo ultrasónico: EN 55011:2016+A11:2020

Para módulo GPS+4G: EN 301 489-1 V2.2.3, EN 301 489-19 V2.1.1, EN 301 489-52 V1.2.1, EN 301 511 V12.5.1, EN 301 908-1 V15.0.1, EN 301 908-13 V13.1.1, EN 303 413 V1.2.1

Para cargador: EN IEC 55014-1:2021, EN IEC 55014-2:2021, EN IEC 61000-3-2:2019+A1:2021, EN 61000-3-3:2013+A1:2019+A2:2021, EN IEC 60335-2-29:2021+A1:2021, EN 60335-1:2012+A11:2014+A13:2017+A1:2019+A2:2019+A14:2019+A15:2021, EN 62233:2008

Para ruido: EN ISO 3744:1995

Para RoHS: EN IEC 63000:2018

La persona autorizada para componer el archivo técnico,

Firma **Marcel Filz**

Dirección **Positec Germany GmbH Postfach 680194, 50704 Cologne, Germany**



2024/02/28

Allen Ding

Ingeniero Jefe Adjunto. Pruebas y Certificación

Positec Technology (China) Co., Ltd.

18, Dongwang Road, Suzhou Industrial Park, Jiangsu 215123, P. R. China

Gebruikers kunnen de elektronische gebruiksaanwijzingen bekijken op <https://www.kress.com/en/>.

Productveiligheid

Algemene & extra veiligheidsinstructie



WAARSCHUWING! Lees alle instructies zorgvuldig door. Indien u zich niet aan alle onderstaande instructies houdt, kan dat leiden tot een elektrische schok, brand en/of ernstig letsel.

Lees de instructies aandachtig voor een veilig gebruik van de machine.

Bewaar alle waarschuwingen en instructies voor latere naslag.

- Dit apparaat is niet bedoeld voor gebruik door personen (waaronder kinderen) met verminderde fysieke of mentale capaciteiten of een verminderd waarnemingsvermogen, tenzij ze voor gebruik van het apparaat toezicht en instructie krijgen van iemand die verantwoordelijk is voor hun veiligheid.
- Kinderen moeten onder toezicht worden gehouden om te verzekeren dat ze niet met het apparaat spelen.
- De batterij in dit apparaat mag alleen worden vervangen door geschoold personeel. **WAARSCHUWING:** Gebruik voor het opladen van de batterij alleen de verwijderbare voedingseenheid die bij het apparaat wordt geleverd.

**BELANGRIJK
LEES ALLE INSTRUCTIES ZORGVULDIG
DOOR.
BEWAAR ALLE WAARSCHUWINGEN EN
INSTRUCTIES VOOR LATERE NASLAG**

Veilige Bediening Instructies

- Lees de instructies nauwkeurig door. Zorg ervoor dat u de instructies begrijpt en dat u bekend bent met de bedieningsorganen en het juiste gebruik van het toestel;
- Sta niet toe dat het toestel gebruikt wordt door personen die niet bekend zijn met deze instructies of door kinderen. Plaatselijke voorschriften kunnen een grens leggen aan de leeftijd van de gebruiker;
- De gebruiker is verantwoordelijk voor ongevallen en gevaren die optreden met

andere personen of hun eigendommen.

Vorbereitung

- Ga na dat de virtuele grens volgens de instructies is opgebouwd en dat de virtuele grens regelmatig wordt onderhouden. Voorafgaand aan iedere werkcyclus maakt het apparaat een rondje door het werkgebied om te controleren of de virtuele grens bestaat en als deze niet bestaat dan schakelt het apparaat zich uit. De virtuele grens bepaalt het werkgebied waarbinnen het apparaat mag werken. De RTK antenne in het apparaat merkt opwanneer de virtuele grens genaderd wordt. Als het apparaat een obstakel raakt of de virtuele grens nadert kiest het product een nieuwe richting.
- controleer het gebied waarin het toestel gebruik wordt geregeld. Verwijder alle stenen, stokken, draden, botten en ander vreemde voorwerpen.
- Inspecteer de messen, bouten en het snijmechanisme geregeld op slijtage en schade. Vervang versleten en beschadigde messen en bouten gelijktijdig, zodat de balans behouden blijft.
- Bij toestellen met meerdere assen let u erop dat het draaien van het ene mes ook het ander mes in beweging brengt.
- WAARSCHUWING!** De grasmaaier mag niet worden gebruikt zonder dat de afscherming op zijn plaats is.

Bediening 1. Algemeen

- Gebruik het toestel niet met een defecte kap of zonder dat de veiligheidsmiddelen, zoals de, af buigers op hun plaats zitten;
- Steek geen handen of voeten in de buurt van de draaiende delen. Houd steeds afstand van de; uitwerp opening
- Til het toestel niet op en vervoer het niet terwijl het in werking is;
- Bedien de uitschakelinrichting van het apparaat.
 - voordat u een blokkering verwijdert;
 - voordat u de machine controleert, schoonmaakt of onderhoudt;
 - om de machine op schade te controleren nadat u een vreemd voorwerp hebt geraakt;
 - voor onmiddellijke controle vóór het opnieuw inschakelen, als de machine abnormaal begint te trillen.
- Het is niet toegestaan het oorspronkelijke ontwerp van de grasmaaier te veranderen. Alle wijzigingen zijn op eigen risico.

- f) Start de automatische grasmaaier volgens de instructies. Wanneer de stroom is ingeschakeld, moet u ervoor zorgen dat uw handen en voeten uit de buurt van de draaiende messen blijven. Plaats nooit uw handen en voeten onder de Robotmaaier.
- g) Til de robotmaaier nooit op of draag het nooit wanneer de stroom is ingeschakeld.
- h) Sta niet toe dat de maaier gebruikt wordt door personen die niet weten hoe de Robotmaaier werkt en zich gedraagt.
- i) Leg geen voorwerpen op de Robotmaaier of op het laadstation.
- j) Laat de Robotmaaier niet werken met een defect mes of een defecte behuizing. Hij moet ook niet worden gebruikt met defecte schroeven, moeren of kabels.
- k) Schakel de Robotmaaier altijd uit als u niet van plan bent om de Robotmaaier te gebruiken. De robotmaaier kan alleen starten als de stroom is ingeschakeld en de juiste PIN-code is ingevoerd.
- l) Houd uw handen en voeten buiten het bereik van de roterende bladen. Plaats nooit uw handen en voeten onder de Robotmaaier.
- m) Vermijd gebruik van de machine en de accessoires onder slechte weersomstandigheden, voornamelijk als er gevaar op blikseminslag is.
- n) Raak riskante bewegende delen niet aan, voordat die stilgezet zijn.
- o) Voor machines die gebruikt worden in publieke ruimtes, dienen waarschuwingsborden geplaatst te worden rond de ruimte waar de machine in werking treedt. Geven de inhoud van de volgende tekst weer:
Waarschuwing! Automatische grasmachine!
Houd uit de buurt van de machine! Kinderen onder toezicht houden!
- p) Om het risico op letsel te voorkomen, stop alstublieft de grasmaaier en draag de grasmaaier naar een ander gazon dat gemaaid moet worden. Sleep of trek de grasmaaier nooit tijdens gebruik wanneer u het te maaien gazon verandert.

2. Als het toestel automatisch functioneert

- a) Laat de machine niet werken zonder toezicht als u weet dat er dieren, kinderen of andere personen in de omgeving zijn.

Onderhoud en opslag



WAARSCHUWING! Als de maaier ondersteboven wordt gedraaid, moet de stroom altijd uitgeschakeld zijn.

De stroom moet uitgeschakeld zijn tijdens alle werkzaamheden aan het onderframe van de maaier, zoals schoonmaken of vervangen van de messen.

- a) Zet alle moeren, bouten en schroeven vast om zeker te weten dat het toestel in de veilige werktoestand is;
- b) Inspecteer de grasmaaier elke week en vervang versleten of beschadigde onderdelen voor de veiligheid;
- c) Controleer of de messen en de schijf niet beschadigd zijn. Verwijder alle messen en schroeven tegelijk, zodat de draaiende delen in balans blijven.
- d) Zorg ervoor dat uitsluitend vervangingsonderdelen van het juiste type worden gebruikt;
- e) Zorg ervoor dat batterijen worden opgeladen met de juiste lader, aanbevolen door de fabrikant. Onjuist gebruik kan resulteren in een elektrische schok, oververhitting of lekkage van de corroderende vloeistof uit de batterij;
- f) Bij lekkage van het elektrolyt spoelt u met water of een neutraliserend middel. Vraag medische hulp als het elektrolyt in contact komt met de ogen e.d.;
- g) Onderhoud van het toestel moet geschieden in overeenstemming met de instructies van de fabrikant.

Aanbeveling

Sluit het apparaat en/of de accessoires alleen aan op een elektriciteitsnet dat door een aardlekschakelaar met een schakelstroom van niet meer dan 30 mA beveiligd is.

Overige risico's

Draag, als u de bladen vervangt, beschermende handschoenen om verwondingen te voorkomen.

Vervoer

De oorspronkelijke verpakking moet worden gebruikt als de grasmaaier over een langere afstand vervoerd wordt.

Veilig vervoer van en naar het werkgebied:

- a) Druk op de knop STOP om de maaier te stoppen.
U geeft de volledige PIN-code van vier cijfers als u de maaier voor het eerst start.
- b) Schakel de automatische grasmaaier altijd uit als u van plan bent om de grasmaaier te dragen.
- c) Draag de maaier bij het handvat aan de achterkant, onder de maaier. Draag hem met

de messen van uw lichaam afgekeerd.

RF vereisten van blootstelling

Om te voldoen aan de RF vereisten van blootstelling, dient een afstand van 200mm of meer tussen de persoon en het toestel te worden gehouden, wanneer het toestel in werking is.

Om ervoor te zorgen dat de regels worden nageleefd, is het niet aangeraden om te werken met een kleinere afstand. De antenne die gebruikt wordt voor deze zender mag zich niet in dezelfde locatie als andere antennes of zenders bevinden.

Dit is een apparaat van klasse III en mag alleen worden gevoed met extra lage veiligheidsspanning die overeenkomt met de markering op het apparaat.

Veiligheidsvoorschriften voor de accu in het apparaat

- a) Batterijcellen en accupacks mogen niet gedemonteerd, geopend of vernietigd worden.**
- b) Sluit accupacks niet kort. Bewaar accupacks niet willekeurig in een doos of lade waar ze elkaar kunnen kortsluiten of door geleidende voorwerpen kortgesloten kunnen worden.** Houd het accupack op een afstand van andere metalen voorwerpen als paperclips, muntstukken, sleutels, nagels, schroeven en andere kleine metalen voorwerpen die de contacten van de accupack kunnen verbinden. Kortgesloten contacten van accupacks kunnen brandwonden of brand veroorzaken.
- c) Stel accupacks niet bloot aan warmte of vuur. Vermijd opslag in direct zonlicht.**
- d) Stel accupacks niet bloot aan mechanische schokken.**
- e) Als een accu lekt dient men voorzichtig te zijn dat de vloeistof niet in contact komt met de huid of de ogen. Als dat toch gebeurt spoelt men de huid onder stromend water en raadpleegt men een arts.**
- f) Houd batterijcellen en accupacks schoon en droog.**
- g) Laad alleen op met een lader met de technische gegevens van Kress. Gebruik geen andere lader dan de lader die specifiek voor dat doel met de apparatuur is meegeleverd.**
- h) Gebruikt geen accupack dat niet bedoeld is voor gebruik met deze apparatuur.**

- i) Houd accupacks buiten het bereik van kinderen.**
- j) Bewaar de oorspronkelijke instructies van het product voor latere gebruik.**
- k) Volg de juiste procedure voor afvalverwijdering na afdanken van dit apparaat.**
- l) Gebruik geen batterijen van verschillende fabricage, capaciteit, grootte of soort in het apparaat.**
- m) Houd de accu uit de buurt van microgolven en hoge druk.**
- n) Waarschuwing! Gebruik geen niet-oplaadbare batterijen.**

Gebruikershandleiding voor vereisten van snoerloze producten

- a) Het gebruik van dit apparaat is onderhevig aan de volgende twee voorwaarden:
 - (1) Dit apparaat mag geen schadelijke storing veroorzaken, en
 - (2) dit apparaat moet alle ontvangen storing aanvaarden, met inbegrip van storing die ongewenste werking kan veroorzaken.
- b) Let op: Wijzigingen of aanpassingen aan dit apparaat die niet uitdrukkelijk zijn goedgekeurd door de instantie, die verantwoordelijk is voor de naleving, kunnen het recht van de gebruiker om het apparaat te bedienen tenietdoen.
- c) **OPMERKING:** Dit apparaat genereert, gebruikt en kan radiofrequentie-energie uitstralen en kan, indien niet volgens de instructies geïnstalleerd en gebruikt, schadelijke storing aan radiocommunicatie veroorzaken. Er is echter geen garantie, dat er in een bepaalde installatie geen storing zal optreden. Als dit apparaat schadelijke storing veroorzaakt aan de ontvangst van radio of televisie, hetgeen kan worden vastgesteld door het apparaat aan en uit te zetten, wordt de gebruiker aangeraden, te proberen deze storing te verhelpen door één of meerdere van de volgende maatregelen te nemen:
 - Heroriënteer of verplaats de ontvangstantenne.
 - Vergroot de afstand tussen de apparatuur en de ontvanger.
 - Sluit de apparatuur aan op een stopcontact van een ander circuit dan dat waarop de ontvanger is aangesloten.
 - Raadpleeg de leverancier of een ervaren radio/ tv-technicus voor hulp.

Symbolen



WAARSCHUWING –de Robotmaaier kan gevaarlijk zijn bij verkeerd gebruik. Lees de gebruiksaanwijzing grondig door en zorg ervoor dat u de inhoud begrijpt voordat u de Robotmaaier gebruikt.



WAARSCHUWING - Houd omstanders op afstand.



WAARSCHUWING – Schakel de aan-uitknop altijd uit voordat u aan de machine werkt of de machine optilt.



WAARSCHUWING –Rij niet op de machine.



Klasse III-apparaten



Afgedankte elektrische producten mogen niet bij het normale huisafval terechtkomen. Breng deze producten waar mogelijk naar een recyclecentrum bij u in de buurt. Vraag de verkoper of de gemeente informatie en advies over het recyclen van elektrische apparatuur.



Li-ion-accu. Dit product is gemarkeerd met een symbool dat 'gescheiden inzameling' voor alle accu's en accupacks betekent. Vervolgens worden ze gerecycled of gedemonteerd om de impact op het milieu te beperken. Accupacks kunnen gevaarlijk zijn voor het milieu en de menselijke gezondheid omdat ze gevaarlijke stoffen bevatten.



Niet in brand steken.



Als de batterij niet correct wordt gebruikt, kan deze de waterkringloop binnendringen, wat schade aan het ecosysteem kan veroorzaken. Gooi gebruikte batterijen niet weg als ongesorteerd gemeentelijk afval.



Reinig de machine niet met een hogedrukreiniger.

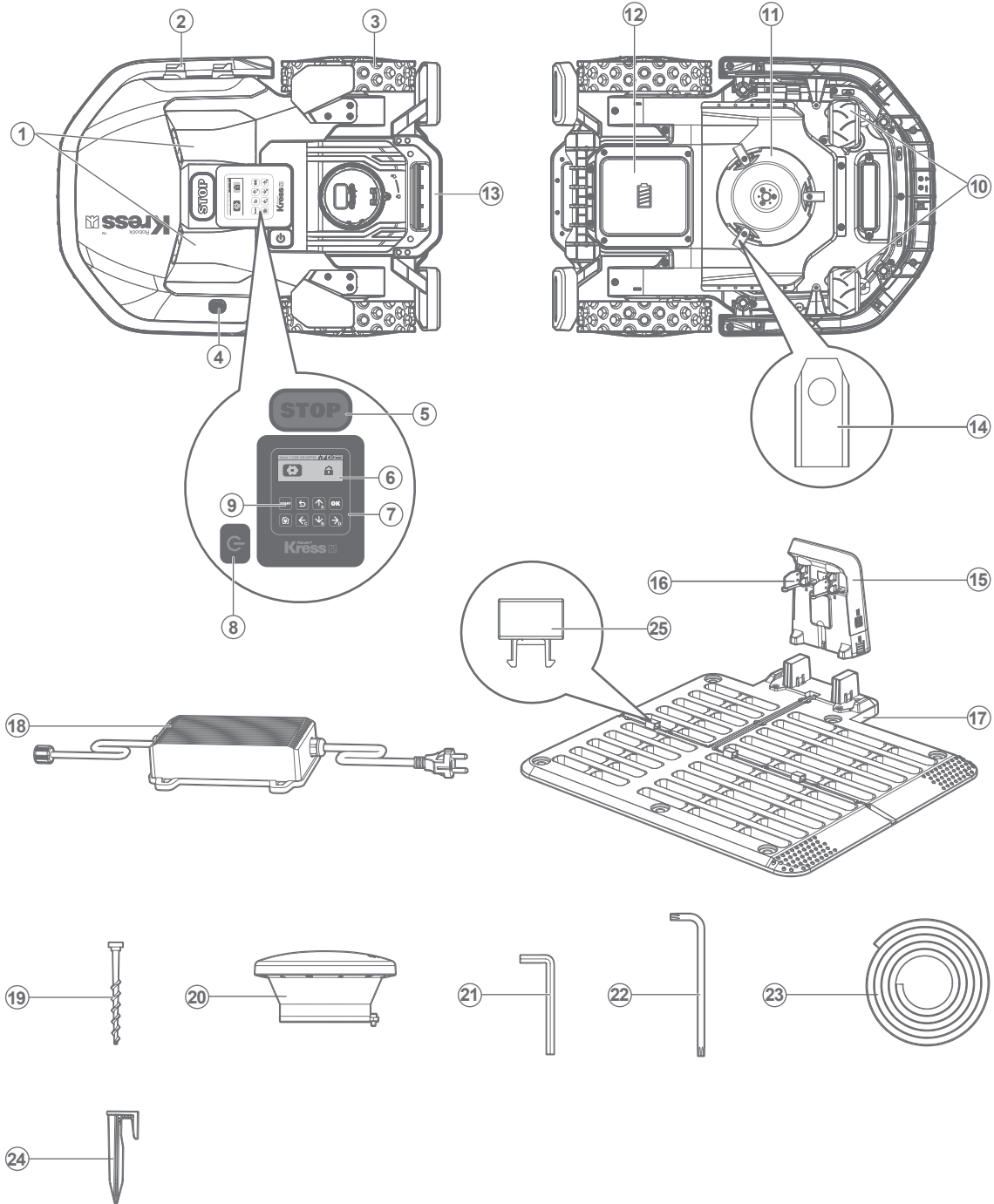


Lees de bedieningshandleiding



Afneembare voedingseenheid

Onderdelenlijst



- | | |
|--|---|
| 1. Ultrasonische sensor (Alleen voor KR160E.A, KR161E, KR171E) | 14. Snijmes |
| 2. Laadstrip | 15. Oplaadstapel |
| 3. Achterste rijwiel | 16. Contactpinnen |
| 4. Regensensor | 17. Laadstation |
| 5. Stopknop | 18. Voedingsapparaat |
| 6. Scherm | 19. Bevestigingschroeven voor laadstation |
| 7. Toetsenbord | 20. RTK Antenne |
| 8. Aan-uitknop | 21. Inbusleutel |
| 9. Startknop | 22. Sleutel voor de RTK-antenne |
| 10. Voorwiel | 23. Magnetische strip |
| 11. Messenschijf | 24. Krammen |
| 12. Batterijpakket * | 25. Gesp |
| 13. Handvat | |

* Niet alle afgebeelde of beschreven toebehoren worden standaard meegeleverd.

Technische gegevens

Type **KR160E KR160E.A KR161E KR171E** (100-199 - aanduiding van machinerie, kenmerkend voor robotgrasmaaier)

80

NL

	KR160E	KR160E.A	KR161E	KR171E
Nominaal vermogen	20V  Max.*			
Toerental onbelast	2700/min			
Maaigebied **	600 m ²		1000 m ²	1500 m ²
Snijdiameter	20 cm			
Maaihoogte	30-60 mm			
Maaihoogtestanden	7			
Accutype	Lithium			
Batterijmodel	KA3024			
Laadtijd Ongeveer	180 min			
Model Lader	KA0200 / KA0201			
Lader gegevens	Lader primair: 100-240V~50/60Hz, 38W, Secundair: 20V, 1.5A			
Gewicht machine	12 kg		12.2 kg	
Veiligheidsklasse	III			
App	Y			
Maximale helling in het werkoppervlak	40%			

* Spanning gemeten zonder belasting. Beginspanning batterij bereikt maximum 20 volt. Nominale spanning is 18 volt.

** Het totale maaiooppervlak binnen alle actieve presets mag niet groter zijn dan de aanbevolen oppervlakte. Het overschreden gebied kan niet aan de grasmaaier worden toegewezen.

Technische gegevens voor antenne

Nominale spanning	5V±2%		
Gebruikstemperatuur	-40°C~85°C		
Opslagtemperatuur	-40°C~85°C		
Band	Tx(Mhz)	Rx(Mhz)	RF Uitgangsvermogen (Max)
GSM900(B8)	880-915	925-960	33dBm
DCS1800(B3)	1710-1785	1805-1880	30dBm
WCDMA B1	1920-1980	2110-2170	24dBm
WCDMA B8	880-915	925-960	24dBm
LTE-FDD B1	1920-1980	2110-2170	23dBm
LTE-FDD B3	1710-1785	1805-1880	23dBm
LTE-FDD B7	2500-2570	2620-2690	23dBm
LTE-FDD B8	880-915	925-960	23dBm
LTE-FDD B20	832-862	791-821	23dBm
LTE-FDD B28	703-748	758-803	23dBm
LTE-TDD B38	2570-2620	2570-2620	23dBm
LTE-TDD B40	2300-2400	2300-2400	23dBm

81
NL

Technische gegevens voor 4G-GPS

4G-module -GNSS	GNSS GPS Band L1	1575.42+/-1.023
	Galileo Band E1	1575.42+/-1.023
	BDS Band E11	1561.098+/-2.046
	GLONASS Band G1	1579.5~1605.8

Geluids gegevens

	KR160E KR160E.A KR161E KR171E
A-gewogen geluidsdruk	$L_{pA} = 47.5 \text{ dB (A)}, K_{pA} = 3.0 \text{ dB(A)}$

A-gewogen geluidsvermogen

$L_{WA} = 55.5 \text{ dB (A)}$, $K_{WA} = 3.0 \text{ dB(A)}$

Gebruik gehoorbescherming indien de geluidsdruk hoger is dan

80dB(A) 

Het is onvermijdelijk dat de machine wat lawaai veroorzaakt. Voor luidruchtig werk is een vergunning vereist en het werk is gelimiteerd tot bepaalde periodes. Houd rusttijden aan en beperkt de werkuren tot een minimum. Draag passende gehoorbeschermers voor de persoonlijke bescherming en de bescherming van mensen die in de omgeving werken.

Toebehoren

	KR160E	KR160E.A	KR161E	KR171E
Schroeven voor het bevestigen van de messen	9	9	9	9
Laagspanningskabel	1	1	1	1
Bevestigings schroeven voor laadstation	6	6	6	6
Inbussleutel	1	1	1	1
Sleutel voor de RTK-antenne	1	1	1	1
Magnetische Strip	1	1	1	1
Meetinstrument	2	2	2	2
Messen	9	9	9	9
82 RTK Antenne	1	1	1	1
NL Krammen	16	16	16	16
Accu (KA3024)	1	1	1	1
Lader (KA0200/KA0201)	1	1	1	1

Wij adviseren u alle accessoires te kopen in de winkel waar u het gereedschap heeft gekocht. Kijk op de verpakking van het accessoire voor meer informatie. Ook het winkelpersoneel kan u helpen en adviseren.

Gebruik volgens bestemming

Dit product is bestemd voor het maaien van gazons (uitsluitend particulier gebruik). Hij is gemaakt om vaak te maaien en een gezonder en mooier gazon te maken. Afhankelijk van de grootte van uw gazon kan de Mission™ RTKⁿ geprogrammeerd worden om op elk moment te werken. Het apparaat is niet bedoeld om er mee te graven, te vegen of sneeuw te ruimen.

Onderhoud

De Mission™ RTKⁿ moet af en toe gecontroleerd worden. De Mission™ RTKⁿ werkt hard en heeft af en toe een schoonmaakbeurt nodig, waarbij onderdelen vervangen worden, want ze kunnen slijten. Gebruik nooit uw Mission™ RTKⁿ met een defecte aan-/ uitschakelaar.

Schakel de machine voor het uitvoeren van reparaties en onderhoud.

Hieronder staat hoe u de Mission™ RTKⁿ verzorgt.

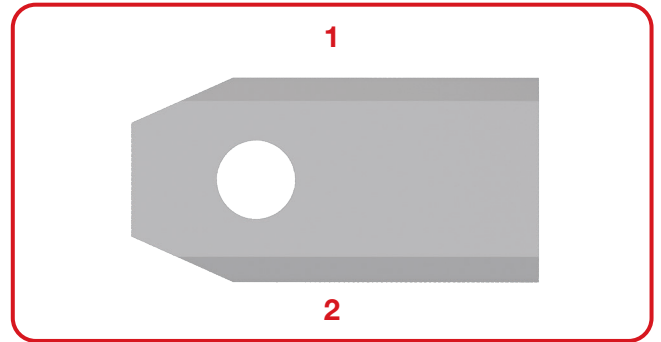
1

Houd hem scherp

WAARSCHUWING: Zet uw Mission™ RTKⁿ vóór reiniging, afstelling of vervanging van de bladen op OFF en trek veiligheidshandschoenen aan.

WAARSCHUWING: Vervangt u het mes, vervang dan alle messen tegelijk. Gebruik altijd nieuwe schroeven bij het inzetten van messen. Dit is belangrijk om intrekking van het blad te waarborgen en om de bladdraaischijf in balans te brengen. Het gebruik van oude schroeven kan tot ernstige verwonding leiden.

De Mission™ RTKⁿ maait het gras niet zoals andere maaiers. De messen zijn aan 2 kanten scherp als een scheermes en draaien in beide richtingen voor de maximale snijcapaciteit. Opnieuw ontworpen mesprofiel voorkomt beter dat er grasplukken in de ruimte tussen de schijf en het mes komt te zitten. En door het nieuwe materiaal is de levensduur van de messen langer dan die van andere merken, als hij geprogrammeerd wordt om elke dag te maaien. Controleer steeds of de messen niet beschadigd zijn en vervang ze zo nodig. Zijn de messen bot en versleten, dan moeten ze vervangen worden door de reservemessen die met de Mission™ RTKⁿ geleverd zijn. U vindt ook reservemessen bij uw Kress-leverancier.



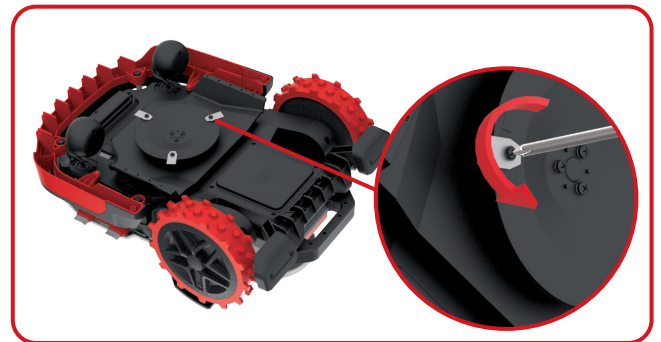
A. De messen vervangen

Gewoonlijk moeten de messen van uw Mission™ RTKⁿ elke maand worden omgekeerd en elke week worden vervangen. U kunt de frequentie echter aanpassen op basis van de maaikwaliteit. Vervang ze allemaal tegelijk. U kunt ze vervangen met een van de kits met reservemessen en extra schroeven die met de Mission™ RTKⁿ geleverd zijn.

Voordat u begint met het vervangen van de messen van de Mission™ RTKⁿ, schakelt u de voeding uit en trekt u beschermende handschoenen aan. Ga dan als volgt te werk:

1. Keer de Mission™ RTKⁿ voorzichtig om
2. Verwijder het batterijklepje en verwijder de batterij.
3. Haal de schroeven uit de messen met een schroevendraaier.
4. Schroef de nieuwe messen er stevig op.
5. Plaats de batterij en het batterijklepje opnieuw.

Belangrijk: Nadat u de messen aan de schijf heeft vastgeschroefd, controleert u of de messen vrij kunnen draaien.



2

Houd hem schoon

-  **WAARSCHUWING:** Zet uw uw Mission™ RTKⁿ op OFF vóóordat u hem schoonmaakt. Draag beschermende handschoenen als u de schijf schoonmaakt en gebruik geen stromend water.
-  **WAARSCHUWING!** UW Mission™ RTKⁿ kan alleen met een slang worden gereinigd! Gebruik **GEEN** hogedrukreiniger op Mission™ RTKⁿ. Water onder hoge druk kan het inwendige van de afdichting binnendringen en elektronische en mechanische onderdelen beschadigen.

A. De behuizing schoonmaken

De Mission™ RTKⁿ is gelukkiger en leeft langer als hij geregeld schoongemaakt wordt. Uw Mission™ RTKⁿ is een elektrisch apparaat dat met de nodige voorzichtigheid moet worden gereinigd. Ondersteun de waterreiniging van de slang. U gebruikt hiervoor het beste een sproeifles die gevuld is met water. Bij het schoonmaken van de behuizing gebruikt u een zachte borstel of schone doek, zonder oplos- of polijstmiddelen. Tenslotte verwijdert u alle resten van afgemaaid gras en vuil.

B. De onderkant schoonmaken

We herhalen het, het is belangrijk dat u de Mission™ RTKⁿ uitschakelt met de Aan/uitknop en dat u beschermende handschoenen draagt voordat u de schijf aanraakt. Keer de Mission™ RTKⁿ eerst ondersteboven, zodat de onderkant zichtbaar wordt. U ziet de schijf, het chassis en de voorste wielen en de aandrijfwielen. Maak alles grondig schoon met een zachte doek of een zachte borstel. Ondersteun de waterreiniging van de slang.



Draai aan de messenschijf om er zeker van te zijn dat deze vrij kan draaien. Controleer of de messen vrij draaien rondom de bevestigingsschroeven. Verwijder eventuele obstakels.

BELANGRIJK: Verwijder vastzittend materiaal zodat het geen barst in de schijf kan veroorzaken. Zelfs een kleine barst kan de maaiprestaties van de Mission™ RTKⁿ negatief beïnvloeden.



C. Maak de contactpinnen en de laad strips schoon

Maak de contactpin op het laadstation en de laadstrip op de Mission™ RTKⁿ schoon met een doek. Verwijder restanten van gras en vuil rondom de contactpinnen en laad strips periodiek om zeker te weten dat de Mission™ RTKⁿ elke keer goed kan worden opgeladen.

3

Levensduur van de batterij

Het hart van de Mission™ RTKⁿ is een lithium-ion batterij van 20 volt. Voor de juiste opslag van de batterij zorgt u ervoor dat hij volledig opgeladen is en ligt op een droge plaats tussen -20°C~+60°C.

OPMERKING: De aanbevolen Mission™ RTKⁿ bedrijfstemperatuur ligt tussen 0°C - 55°C.

De levensduur van de batterij van de Mission™ RTKⁿ is van diverse factoren afhankelijk zoals:

- Hoe lang het maaiseizoen duurt in uw woonplaats
- aantal uren per dag dat de Mission™ RTKⁿ maait
- Onderhoud van de batterij bij opslag.

Mission™ RTKⁿ kan handmatig worden opgeladen.

1. Sluit het laadstation aan op een geschikte voedingsbron. Het groene lampje van het oplaadstation gaat branden.
2. Plaats de uitgeschakelde Mission™ RTKⁿ handmatig in het laadstation.
3. Groene lampje van het oplaadstation knippert. De Mission™ RTKⁿ begint te laden.



4

Winteropslag

De Mission™ RTKⁿ leeft langer en blijft gezonder als u hem een goede winterslaap gunt. Hij is onverwoestbaar, maar hij slaapt in de winter toch liever in de schuur of in de garage.

Voordat u de Mission™ RTKⁿ wegbrengt voor de winterslaap, zorgt u voor het volgende:

- Maak de Mission™ RTKⁿ grondig schoon
- Laad de batterij volledig op
- Schakel de Mission™ RTKⁿ uit

Om de levensduur van de batterij te verlengen, het is aan te bevelen de batterij volledig op te laden voor de winteropslag.

WAARSCHUWING: Bescherm de onderkant van Mission™ RTKⁿ tegen water. Sla de Mission™ RTKⁿ NOOIT ondersteboven.

OPMERKING: Neemt u de Mission™ RTKⁿ na de winterslaap weer in gebruik, zorg er dan voor dat de laad strips en contactpinnen schoon zijn. Het is aan te bevelen ze schoon te maken met een fijne schuurdoek. Zorg er met behulp van de app voor dat de datum en de tijd juist zijn en laat Mission™ RTKⁿ daarna weer doen wat het graag doet: maaien.

5

De batterij vervangen

WAARSCHUWING: Zet de Aan/uitschakelaar in de stand **UIT** voordat u begint met enige instelling, vervanging of reparatie.

Zet uw Mission™ RTKⁿ vóór vervanging van de batterij op **OFF** en trek veiligheidshandschoenen aan.

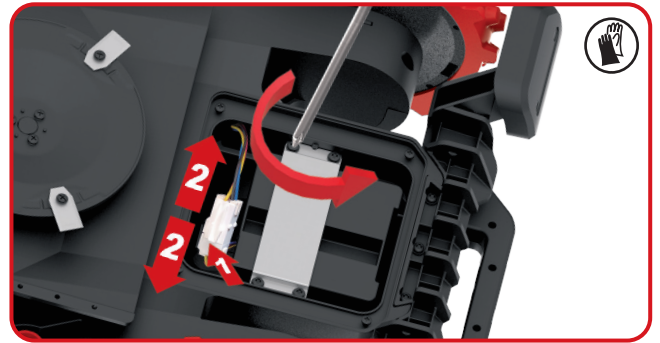
Als u de accu wilt vervangen, volg dan deze stappen:

1. Keer de Mission™ RTKⁿ voorzichtig om.
2. Draai de schroeven van de batterij los. Verwijder het batterijdeksel.

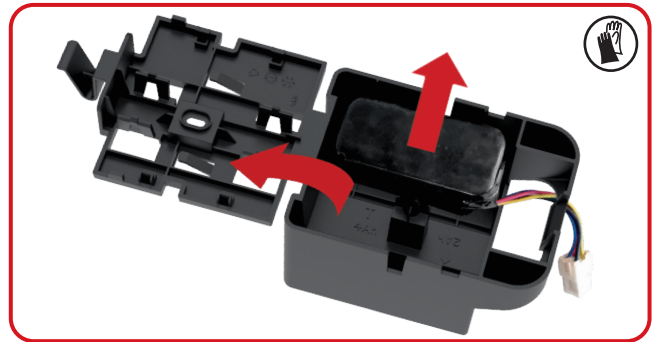


3. Draai de schroeven op de metalen plaat los. Verwijder de metalen plaat.
4. Druk op de vergrendeling en haal de stekkers uit elkaar, zoals zichtbaar in de afbeelding. Til voorzichtig het accucompartiment er uit.

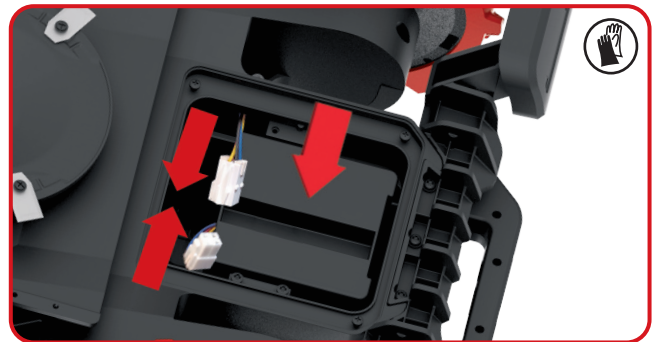
OPMERKING: Trek niet aan de kabels. Houd de connectoren vast en maak de vergrendeling los.



5. Open het accucompartiment en til dan de accu er voorzichtig uit. Vervang de oude accu door de nieuwe.



6. Plaats het accucompartiment terug en sluit de stekkers weer op elkaar aan. Plaats de metalen plaat terug.



7. Plaats het deksel terug op zijn plaats en maak het goed met schroeven vast.



Probleemoplossing bij installatie

Werkt de Mission™ RTKⁿ niet goed, volg dan de gids voor het oplossen van problemen hieronder. Heft dat de storing niet op, neem dan contact op met de leverancier.

Symptoom	Oorzaak	Oplossing
Het LED-lampje op het oplaadstation gaat niet branden.	Er is geen stroom.	Controleer of het oplaadstation goed op de oplader is aangesloten en dat de oplader op een geschikt stopcontact is aangesloten.
De Mission™ RTK ⁿ kan niet goed plaatsnemen in het oplaadstation.	De magnetische strip is in de verkeerde richting geplaatst.	Controleer of de magnetische strip in de verkeerde richting is geplaatst. Bij correct plaatsing wijst het groene streepje op de magnetische strip weg van het oplaadstation.
Het apparaat heeft een lege accu, maar keert niet terug naar het oplaadstation.	Er is geen virtueel gebied aangebracht.	Bouw de kaart opnieuw op en voeg het virtuele oplaadstation toe.
	De lengte van de magnetische strip is minder dan 2,5 meter.	Er moet voor gezorgd worden dat de lengte van de magnetische strip groter is dan 2,5 meter.
Als de Mission™ RTK ⁿ heuvelaf rijdt dan wordt de grenslijn gepasseerd.	De hoek van de grenslijn is erg scherp.	Probeer lay-out situaties met scherpe hoeken te vermijden.
Nadat de Mission™ RTK ⁿ is ingeschakeld, wordt de startknop ingedrukt, maar werkt Mission™ RTK ⁿ niet.	Mission™ RTK ⁿ bevindt zich buiten het werkgebied.	Plaats de Mission™ RTK ⁿ binnen het werkgebied.
	Slecht positioneringssignaal	Zoek een open gebied, wacht tot het positioneringssignaal lampje groen wordt, en druk dan op de startknop.
De Mission™ RTK ⁿ geeft geen alarm af als hij buiten de Geofence is.	De software van Mission™ RTK ⁿ is niet geüpdated naar de laatste stand.	Update de software van de Mission™ RTK ⁿ .
	Mission™ RTK ⁿ is uitgeschakeld.	Zet Mission™ RTK ⁿ aan.
De Mission™ RTK ⁿ staat middenin een obstakel geparkeerd.	De obstakels rondom Mission™ RTK ⁿ zijn relatief klein, en Mission™ RTK ⁿ kan er niet uit.	Stel het gebied waarin Mission™ RTK ⁿ vast kan komen te zitten in als No-Go.
	De sensor van Mission™ RTK ⁿ wijkt af.	Ga naar Mission™ RTK ⁿ 's diagnosepagina in de app en controleer de sensorstatus.
De log kan niet worden uitgelezen.	De USB-kaart is niet op FAT32 geformateerd.	Formateer de USB-kaart op FAT32 .
Mission™ RTK ⁿ is aan de andere kant van de muur geparkeerd en kan niet worden gestart, het positioneringslampje is rood.	De Mission™ RTK ⁿ heeft te lang in een onbereikbaar gebied gewerkt, waardoor de veiligheidsmodus is ingeschakeld.	Probeer te voorkomen dat de Mission™ RTK ⁿ teveel in slecht bereikbare gebieden maait.
	Er zijn teveel muren of bomen in het gebied, waardoor het positioneringssignaal wordt geblokkeerd.	

Bescherming van het milieu

 Afgedankte elektrische producten kunt u niet met het normale huisafval weggooien. Breng deze producten, indien mogelijk, naar een recyclecentrum bij u in de buurt. Vraag de verkoper of de gemeente naar informatie en advies over het recyclen van elektrische producten.

Conformiteitverklaring

Wij,
Positec Germany GmbH
Postfach 680194, 50704 Cologne, Germany

Namens Positec verklaar ik dat het product,
Beschrijving **Robotgrasmaaier**
Type **KR160E KR160E.A KR161E KR171E (100-199- aanduiding van machinerie, kenmerkend voor Robotgrasmaaier) (Jaar, artikelnummer en maand van het serienummer staan vermeld op de achterflap. Het gehele serienummer is duidelijk aangegeven op de behuizing van de gazonmaaier) met acculader KA0200 / KA0201 en oplaadbasis KA0074**
Functie **gras maaien**

Overeenkomt met de volgende richtlijnen,
2006/42/EC, 2014/30/EU, 2014/35/EU, 2011/65/EU&(EU)2015/863, 2000/14/EC gewijzigd door 2005/88/EC, 2014/53/EU

2000/14/EC gewijzigd door 2005/88/EC

- | | |
|---|--------------------|
| - Procedure beoordeling conformiteit volgens | Annex V |
| - Niveau gemeten geluidsvermogen | 55.5 dB (A) |
| - Opgegeven, gegarandeerde niveau geluidsvermogen | 59 dB (A) |

88

NL

Standards in overeenstemming met,

Voor grasmaaier: EN 50636-2-107:2015+A1:2018+A2:2020+A3:2021, EN 60335-1:2012+A11:2014+A13:2017+A1:2019+A2:2019+A14:2019+A15:2021, EN IEC 62311:2020, EN IEC 55014-1:2021, EN IEC 55014-2:2021, EN IEC 61000-3-2:2019+A1:2021, EN 61000-3-3:2013+A1:2019+A2:2021

Voor ultrasone module: EN 55011:2016+A11:2020

Voor 4G+GPS-module: EN 301 489-1 V2.2.3, EN 301 489-19 V2.1.1, EN 301 489-52 V1.2.1, EN 301 511 V12.5.1, EN 301 908-1 V15.0.1, EN 301 908-13 V13.1.1, EN 303 413 V1.2.1

Voor oplader: EN IEC 55014-1:2021, EN IEC 55014-2:2021, EN IEC 61000-3-2:2019+A1:2021, EN 61000-3-3:2013+A1:2019+A2:2021, EN IEC 60335-2-29:2021+A1:2021, EN 60335-1:2012+A11:2014+A13:2017+A1:2019+A2:2019+A14:2019+A15:2021, EN 62233:2008

Voor lawaai: EN ISO 3744:1995

Voor RoHS: EN IEC 63000:2018

De persoon die bevoegd is om het technische bestand te compileren,

Naam Marcel Filz

Adres Positec Germany GmbH Postfach 680194, 50704 Cologne, Germany



2024/02/28

Allen Ding

Plaatsvervangend Chief Ingenieur, Testen en Certificering


Positec Technology (China) Co., Ltd.

18, Dongwang Road, Suzhou Industrial Park, Jiangsu 215123, P. R. China

Użytkownicy mogą zapoznać się z elektronicznymi instrukcjami na stronie <https://www.kress.com/en/>.

Bezpieczeństwo Produktu

Ogólne i dodatkowe instrukcje bezpieczeństwa

 **OSTRZEŻENIE:** Należy przeczytać wszystkie ostrzeżenia bezpieczeństwa i instrukcje. Nieprzestrzeganie ostrzeżeń i instrukcji może spowodować porażenie prądem, pożar i/lub poważne obrażenia. Należy dokładnie przeczytać instrukcje dotyczące bezpiecznego użytkowania urządzenia. Zachować wszystkie ostrzeżenia i instrukcje na przyszłość.

- Niniejsze urządzenie nie jest przeznaczone do użytku przez osoby (wliczając w to dzieci) z obniżonymi zdolnościami fizycznymi, sensorycznymi lub umysłowymi oraz nieposiadające doświadczenia i wiedzy na temat urządzenia, chyba że zostaną będą one nadzorowane lub zostaną poinstruowane w zakresie obsługi urządzenia przez osobę odpowiedzialną za ich bezpieczeństwo.
- Należy zadbać o to, by dzieci nie bawiły się urządzeniem.
- Baterię w tym urządzeniu może wymieniać tylko wykwalifikowany personel.
OSTRZEŻENIE: Do ładowania baterii używaj wyłącznie wymiennego zasilacza dostarczonego z urządzeniem.

**WAŻNE
PRZECZYTAĆ DOKŁADNIE PRZED
KORZYSTANIEM
ZACHOWAĆ NA PRZYSZŁOŚĆ**

Bezpieczne praktyki używania Przeszkolenie

- Dokładnie przeczytać instrukcje. Upewnić się, że są one zrozumiałe oraz zaznajomić się z przyciskami sterowania i zasadami prawidłowego korzystania z urządzenia.
- Z urządzenia nie mogą korzystać osoby nieobeznane z niniejszymi instrukcjami lub dzieci. Miejscowe przepisy mogą ograniczać wiek osoby uprawnionej do korzystania z urządzenia;
- Operator lub użytkownik urządzenia ponoszą odpowiedzialność za zagrożenia powstałe dla

osób trzecich lub ich mienia.

Przygotowanie

- Upewnij się, że wirtualna granica została ustanowiona zgodnie z instrukcjami i jest regularnie utrzymywana. Przed każdym cyklem roboczym maszyna okrąży obszar roboczy, aby sprawdzić, czy istnieje wirtualna granica, a jeśli jej nie ma, maszyna się wyłączy. Wirtualna granica określa obszar roboczy, w którym maszyna może pracować. Antena RTK w maszynie wykrywa, kiedy zbliża się ona do wirtualnej granicy. Gdy maszyna natrafi na przeszkodę lub zbliży się do wirtualnej granicy, urządzenie wybiera nowy kierunek.
- Regularnie sprawdzać obszar, w którym urządzenie ma być stosowane oraz usuwać wszystkie kamienie, patyki, druty, kości i inne ciała obce.
- Przeprowadzać regularne inspekcje wzrokowe ostrzy, trzpieni i zespołu tnącego pod kątem zużycia lub uszkodzenia. Wymieniać zużyte lub uszkodzone ostrza i trzpienie w zestawach w celu zachowania wyważenia urządzenia.
- W przypadku urządzeń z wieloma narzędziami tnącymi należy zachować ostrożność, ponieważ ruch jednego ostrza może doprowadzić do rotacji pozostałych ostrzy.
- OSTRZEŻENIE!** Nie należy korzystać z robota do koszenia trawy bez założonej osłony.

Korzystanie z urządzenia

1. Informacje ogólne


- Nigdy nie należy używać urządzenia z uszkodzonymi osłonami lub bez elementów zabezpieczających, np. deflektorów;
- Nie umieszczać rąk lub stóp w pobliżu obracających się części lub pod nimi. Zawsze trzymać się z dala od otworu wylotowego.
- Nigdy nie podnosić ani nie przenosić urządzenia, gdy silnik pracuje.
- Uruchomić mechanizm wyłączający urządzenia.
 - Przed usuwaniem blokady;
 - Przed sprawdzaniem, czyszczeniem lub wykonywaniem prac na urządzeniu.
 - Po uderzeniu w obcy przedmiot w celu sprawdzenia maszyny pod kątem uszkodzeń;
 - Jeśli maszyna zaczyna nienormalnie wibrować, przed ponownym uruchomieniem należy sprawdzić, czy nie ma uszkodzeń.
- Dokonywanie zmian w konstrukcji robota do koszenia trawy jest niedozwolone. Wszelkie modyfikacje wykonywane są na ryzyko użytkownika.

- f) Robot do koszenia trawy należy uruchamiać zgodnie z instrukcjami. Po włączeniu zasilania kosiarki dłoni ani stóp nie wolno zbliżać do obrotowych noży. Nigdy nie należy umieszczać rąk lub nóg pod robotem.
- g) Kosiarki automatycznej, w której włączono zasilanie, nie wolno podnosić ani przenosić w inne miejsce.
- h) Nie dopuszczać do korzystania z robota osób, które nie są obeznane ze sposobem jej pracy i zachowania.
- i) Nie umieszczać żadnych przedmiotów na robocie lub stacji ładowania.
- j) Nie korzystać z robota do koszenia trawy w przypadku wadliwej tarczy tnącej lub korpusu. Nie należy również korzystać z robota w przypadku wadliwych ostrzy, śrub, nakrętek lub przewodów.
- k) Gdy robot nie będzie używany, należy zawsze wyłączać go przy użyciu głównego włącznika. Kosiarkę automatyczną można uruchomić wyłącznie po włączeniu zasilania i wpisaniu poprawnego kodu PIN.
- l) Zabrania się zbliżania kończyn (ręce oraz nogi) do łopatek wirujących. Nigdy nie wkładać rąk lub stóp pod pracującą lub włączoną kosiarkę.
- m) Unikać używania urządzenia i wyposażenia dodatkowego w złych warunkach pogodowych, zwłaszcza gdy istnieje ryzyko wyładowań atmosferycznych.
- n) Nie dotykać poruszających się części, zanim nie zatrzymają się całkowicie.
- o) W przypadku urządzeń wykorzystywanych w miejscach publicznych, oznaczenia ostrzegawcze powinny być ustawiane wokół obszaru pracy maszyny. Powinny one zawierać następujący tekst:
Ostrzeżenie! Automatyczna kosiarka! Nie podchodzić do maszyny! Pilnować dzieci!
- p) Aby uniknąć ryzyka urazu, proszę zatrzymać kosiarkę i wynieść ją na inny trawnik do skoszenia. Nigdy nie przeciągaj ani nie ciągnij kosiarki podczas pracy, gdy zmieniasz trawnik do koszenia.

2. Ponadto, gdy narzędzie pracuje w trybie automatycznym

- a) Nie należy zostawiać pracującego urządzenia bez nadzoru wiedząc, że w pobliżu znajdują się zwierzęta domowe, dzieci lub inne osoby.

Konserwacja i przechowywanie

 **OSTRZEŻENIE!** Przed odwróceniem kosiarki do góry kołami należy wyłączyć zasilanie.

Podczas prac związanych z podwoziem kosiarki, na przykład czyszczenia lub wymiany noży, zasilanie musi być wyłączone.

- a) Wszystkie nakrętki, trzpienie i śruby muszą być dokręcone, aby upewnić się, że urządzenie jest w bezpiecznym stanie.
- b) Sprawdzać stan robota do koszenia trawy co tydzień i wymieniać zużyte lub uszkodzone części w celu zachowania bezpieczeństwa.
- c) Należy w szczególności sprawdzać ostrza i tarczę tnącą pod kątem uszkodzeń. W razie konieczności wszystkie ostrza i śruby należy wymieniać w tym samym czasie, aby zachować wyważenie części obrotowych.
- d) Upewnić się, iż użyto właściwego rodzaju zamiennych części tnących.
- e) Upewnić się, że akumulatory są ładowane przy użyciu odpowiedniej ładowarki zaleconej przez producenta. Nieprawidłowe zastosowanie może spowodować porażenie prądem, przegrzanie lub wyciek płynu korozyjnego z akumulatora.
- f) W przypadku wycieku elektrolitu z akumulatora należy przepłukać miejsce wodą/środkiem neutralizującym, a w przypadku, gdy elektrolit wejdzie w kontakt z oczami, itp., należy zasięgnąć pomocy lekarskiej.
- g) Urządzenie powinno być serwisowane zgodnie z instrukcjami producenta.

Zalecenie

Urządzenie oraz wyposażenie dodatkowe podłączać wyłącznie do układu elektrycznego wyposażonego w ochronę za pomocą wyłącznika różnicowoprądowego, z prądem zadziałania nie większym niż 30 mA.

Ryzyko

Podczas wymiany ostrzy używać rękawic ochronnych.

Transport

Do transportu robota do koszenia trawy na duże odległości należy zastosować oryginalne opakowanie.

W celu bezpiecznego przeniesienia z miejsca pracy lub w jego obrębie:

- a) Nacisnąć przycisk STOP w celu zatrzymania robota.
4-cyfrowy kod PIN jest wybierany podczas pierwszego uruchomienia robota.
- b) Zawsze wyłączać robota do koszenia trawy, gdy ma być przenoszony.
- c) Robota należy przenosić trzymając za uchwyt znajdujący się pod tylną częścią robota.

Robota należy przenosić trzymając tarczę tnącą z dala od ciała.

Wymagania dotyczące narażenia na RF

Aby spełnić wymagania dotyczące narażenia na RF, należy zachować odległość min. 200mm lub więcej między urządzeniem i osobami podczas pracy maszyny.

Dla zapewnienia zgodności, nie zaleca się pracy w odległości mniejszej niż wskazana powyżej. Antena stosowana w tym przekaźniku nie może być ustawiona równocześnie z żadną inną anteną lub przekaźnikiem.

Jest to urządzenie klasy III i może być zasilane wyłącznie bezpiecznym bardzo niskim napięciem, odpowiadającym oznaczeniu na urządzeniu.

Ostrzeżenia bezpieczeństwa dotyczące akumulatora wewnątrz urządzenia.

- a) Nie demontuj, nie otwieraj lub nie niszczy ogniw pomocniczych lub modułu akumulatora.
- b) Nie zwieraj ogniw lub modułu akumulatora. Nie przechowuj ogniw lub modułu akumulatora w sposób bezładny w pudle lub szufladzie, gdzie mogą się wzajemnie zewrzeć lub ulec zwarcia przez inne metalowe przedmioty. Nie używany akumulator należy trzymać z daleka od spinaczy, monet, kluczy, gwoździ, śrub lub innych małych przedmiotów metalowych, które mogłyby spowodować zmostkowanie kontaktów. Zwarcie pomiędzy kontaktami akumulatora może spowodować oparzenia lub pożar.
- c) Nie narażaj ogniw lub modułu akumulatora na działanie ciepła lub ognia. Unikaj składowania w miejscach pod bezpośrednim działaniem światła słonecznego.
- d) Nie narażaj ogniw lub modułu akumulatora na uderzenia mechaniczne.
- e) W razie wycieku z ogniw, nie dopuść, aby płyn zetknął się ze skórą lub dostał się do oczu. Jeśli już nastąpił kontakt z płynem, przemyj skażoną powierzchnię dużą ilością wody i zwróć się o pomoc medyczną.
- f) Utrzymuj ogniwa i moduł akumulatora w czystości i w stanie suchym.
- g) Akumulatory należy ładować tylko w ładowarkach, które poleci producent Kress. Dla ładowarki, która nadaje się do ładowania określonych akumulatorów

istnieje niebezpieczeństwo pożaru, gdy użyte zostaną inne akumulatory.

- h) Nie używaj ogniw lub modułu akumulatora nie przeznaczonego do pracy z danym urządzeniem.
- i) Trzymaj ogniwa i moduł akumulatora poza zasięgiem dzieci.
- j) Zachowaj oryginalne instrukcje produktu do wglądu.
- k) Zużyte ogniwa i akumulatory utylizuj zgodnie z zasadami gospodarki odpadami.
- l) Nie mieszaj w urządzeniu baterii o różnej produkcji, pojemności, rozmiarze lub typie.
- m) Akumulatora nie należy zbliżać do źródeł promieniowania mikrofalowego ani narażać na wysokie ciśnienie.
- n) Ostrzeżenie! Nie próbuj ładować baterii nieładownalnych.

Wymagania dla produktu bezprzewodowego według instrukcji

- a) Działanie tego urządzenia podlega następującym dwóm warunkom:
 - (1) To urządzenie nie może wytwarzać szkodliwych zakłóceń i
 - (2) to urządzenie musi być odporne na odbierane zakłócenia, łączenie z tymi, które powodują niepożądane działanie.
- b) Ostrożnie: Zmiany lub modyfikacje w tym urządzeniu, które nie są jawnie zaaprobowane przez stronę odpowiedzialną za zgodność, mogą unieważnić uprawnienie użytkownika do używania sprzętu.
- c) WSKAZÓWKA: Ten sprzęt wytwarza, wykorzystuje i może promieniować energię o częstotliwości radiowej, i - o ile nie jest zainstalowane i używane zgodnie z instrukcją - może powodować szkodliwe zakłócenia w łączności radiowej. Jednakże, nie ma gwarancji, że w konkretnej instalacji zakłócenia nie wystąpią. Jeżeli ten sprzęt powoduje szkodliwe zakłócenia w odbiorze radiowym lub telewizyjnym, co można ustalić wyłączając i włączając go, zachęca się użytkownika do próby skorygowania problemu przez jeden z następujących środków:
 - Reorientacja lub relokacja anteny odbiorczej.
 - Zwiększenie odstępów między sprzętem i odbiornikiem.
 - Podłączenie sprzętu do gniazdka w innym obwodzie niż ten, z którym połączony jest odbiornik.
 - W kwestii pomocy skonsultuj się ze sprzedawcą lub doświadczonym technikiem radiowym/TV.

Symbole



OSTRZEŻENIE – robot do koszenia trawy może być niebezpieczny w przypadku niewłaściwego użytkowania. Przed przystąpieniem do użytkowania robota do koszenia trawy należy dokładnie przeczytać i zrozumieć tekst Instrukcji obsługi.



OSTRZEŻENIE - Zachować bezpieczną odległość od urządzenia podczas jego pracy.



OSTRZEŻENIE –Przed przystąpieniem do prac na urządzeniu lub jego podnoszeniem należy je wyłączyć.



OSTRZEŻENIE –Nie jeździć na urządzeniu.



Urządzenie klasy III



Odpady wyrobów elektrycznych nie powinny być wyrzucane razem z odpadami gospodarstwa domowego. Należy korzystać z recyklingu, jeśli istnieje odpowiednia infrastruktura. Porady dotyczące recyklingu można uzyskać u władz lokalnych lub sprzedawcy detalicznego.



Li-Ion



Bateria litowo-jonowa. Ten produkt oznaczono symbolem nakazującym „segregację” baterii i akumulatorów. Produkt zostanie poddany recyklingowi lub rozmontowany, aby zmniejszyć jego wpływ na środowisko. Akumulatory mogą być niebezpieczne dla środowiska i dla zdrowia ludzkiego, ponieważ zawierają niebezpieczne substancje.



Nie spalać.



W przypadku niewłaściwej obsługi akumulator może przedostać się do obiegu wody, co może spowodować uszkodzenie ekosystemu. Nie wyrzucaj zużytych baterii jako nieposortowanych odpadów komunalnych.



Nie myć maszyny myjką ciśnieniową.

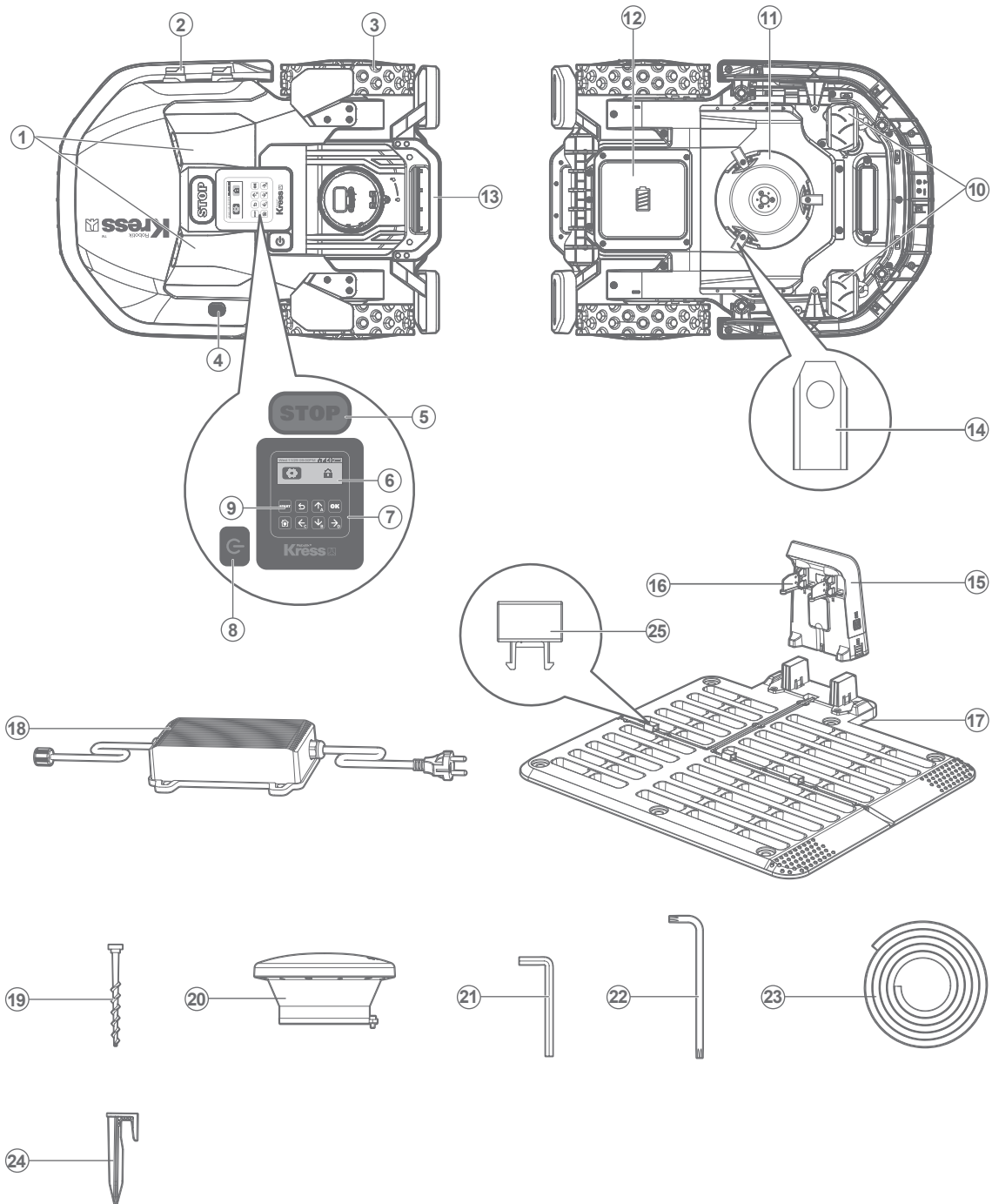


Przeczytaj instrukcję obsługi



Wyjmowana jednostka zasilająca

Lista części



1. Czujnik ultradźwiękowy (Dotyczy tylko modeli KR160E.A, KR161E, KR171E)
2. Taśma ładowania
3. Tylne koło napędowe
4. Czujnik deszczu
5. Przycisk zatrzymania
6. Wyświetlacz
7. Klawiatura
8. Przyciski wyłączenie / wyłączenie
9. Przycisk uruchomienie
10. Przednie koło
11. Tarcza obrotowa z ostrzem
12. Akumulator *
13. Rączka
14. Ostrze tnące
15. Stos ładowania
16. Wtyki
17. Stacja ładowania
18. Zasilacz sieciowy
19. Śruby mocujące stacji ładowania
20. Antena RTK
21. Klucz imbusowy
22. Klucz do anteny RTK
23. Pasek magnetyczny
24. Zszywki
25. Klamra

* Nie wszystkie pokazane na ilustracji akcesoria są dostarczane standardowo.

Dane techniczne

Typ **KR160E KR160E.A KR161E KR171E** (100-199 - oznaczenie maszyn zgodnych z robotem do koszenia trawy)

94
PL

	KR160E	KR160E.A	KR161E	KR171E
Napięcie znamionowe	20V $\overline{=}$ Max.*			
Prędkość na biegu jałowym	2700/min			
Powierzchnia koszenia **	600 m ²		1000 m ²	1500 m ²
Średnica koszenia	20 cm			
Wysokość koszenia	30-60 mm			
Pozycje wysokości koszenia	7			
Typ akumulatora	Litowo-jonowa			
Model akumulatora	KA3024			
Czas ładowania Ok.	180 min			
Model ładowarki	KA0200 / KA0201			
Moc znamionowa ładowarki	Wejściowa: 100-240 V~50/60 Hz, 38 W, Wyjściowa: 20 V, 1.5 A			
Masa urządzenia	12 kg		12.2 kg	
Stopień ochrony	III			
App	Y			
Maksymalne nachylenie terenu na obszarze roboczym	40%			

* Napięcie mierzone bez obciążenia. Początkowe napięcie akumulatora osiąga maksymalną wartość 20V. Napięcie nominalne wynosi 18V.

** Całkowita powierzchnia koszenia we wszystkich aktywnych ustawieniach nie powinna przekraczać zalecanej wielkości obszaru. Przekroczony obszar nie może być przypisany do kosiarki.

Dane techniczne anteny

Napięcie znamionowe	5V±2%		
Temperatura pracy	-40°C~85°C		
Temperatura przechowywania	-40°C~85°C		
Pasmo	Tx(Mhz)	Rx(Mhz)	Moc wyjściowa fal radiowych (Maks.)
GSM900(B8)	880-915	925-960	33dBm
DCS1800(B3)	1710-1785	1805-1880	30dBm
WCDMA B1	1920-1980	2110-2170	24dBm
WCDMA B8	880-915	925-960	24dBm
LTE-FDD B1	1920-1980	2110-2170	23dBm
LTE-FDD B3	1710-1785	1805-1880	23dBm
LTE-FDD B7	2500-2570	2620-2690	23dBm
LTE-FDD B8	880-915	925-960	23dBm
LTE-FDD B20	832-862	791-821	23dBm
LTE-FDD B28	703-748	758-803	23dBm
LTE-TDD B38	2570-2620	2570-2620	23dBm
LTE-TDD B40	2300-2400	2300-2400	23dBm

95
PL

Dane techniczne dla 4G-GPS

Moduł 4G -GNSS	Pasmo GNSS GPS L1	1575.42+/-1.023
	Pasmo Calileo E1	1575.42+/-1.023
	Pasmo BDS E11	1561.098+/-2.046
	Pasmo GLONASS G1	1579.5~1605.8

Hałas dane

	KR160E KR160E.A KR161E KR171E
Poziom ciśnienia akustycznego	$L_{pA} = 47.5 \text{ dB (A)}, K_{pA} = 3.0 \text{ dB(A)}$

Poziom mocy akustycznej

$L_{WA} = 55.5 \text{ dB (A)}$, $K_{WA} = 3.0 \text{ dB(A)}$

Należy stosować ochronę uszu w przypadku, gdy ciśnienie akustyczne przekracza wartość

80dB(A) 

Nie da się uniknąć pewnego hałasu wydawanego przez urządzenie. Przeprowadzanie hałaśliwych prac musi być objęte licencją i ograniczone w niektórych okresach. Należy zachować przerwy na odpoczynek oraz może zająć konieczność ograniczenia godzin pracy do minimum. W celu zapewnienia ochrony osobistej oraz ochrony osób pracujących w pobliżu, należy zastosować odpowiednią ochronę uszu.

Akcesoria

	KR160E	KR160E.A	KR161E	KR171E
Śruby do mocowania ostrzy	9	9	9	9
Stacja ładowania	1	1	1	1
Śruby mocujące stacji ładowania	6	6	6	6
Klucz imbusowy	1	1	1	1
Klucz do anteny RTK	1	1	1	1
Pasek magnetyczny	1	1	1	1
Miernik	2	2	2	2
Ostrzy	9	9	9	9
Antena RTK	1	1	1	1
Zszywki	16	16	16	16
Akumulator (KA3024)	1	1	1	1
Ładowarka (KA0200/KA0201)	1	1	1	1

Zalecamy nabywanie oryginalnych akcesoriów podanych powyżej z tego samego sklepu, w którym dokonano zakupu narzędzia. Dalsze szczegóły można znaleźć an opakowaniu akcesoriów. Pracownicy sklepu mogą służyć pomocą i radą.

Użycie zgodne z przeznaczeniem

Niniejszy produkt przeznaczony jest do koszenia trawy w prywatnym zakresie. Jest przeznaczony do częstego koszenia, zapewniając zdrowszy i lepiej wyglądający trawnik niż kiedykolwiek wcześniej. W zależności od wielkości trawnika, robota Mission™ RTKⁿ można zaprogramować tak, aby pracował o dowolnej godzinie lub z dowolną częstotliwością. Urządzenie nie jest przeznaczone do prac wykopowych, zmiatania lub odgarniania śniegu.

Konserwacja

Robot Mission™ RTKⁿ musi być okresowo sprawdzany. Robot Mission™ RTKⁿ pracuje ciężko i po pewnym czasie wymaga dokładnego czyszczenia, jak również wymiany części, które mogą ulec zużyciu. Zabrania się eksploatacji Mission™ RTKⁿ jeżeli wyłącznik On/off jest uszkodzony.

Przed przystąpieniem do konserwacji lub prac serwisowych należy wyłączyć urządzenie. W tej części chcemy pokazać, w jaki sposób zadbać o swojego robota Mission™ RTKⁿ.

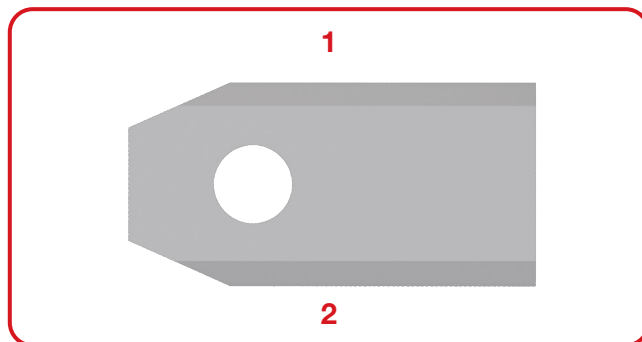
1

Zachowanie ostrości

! **OSTRZEŻENIE:** Przed przystąpieniem do regulacji lub wymiany ostrzy należy wyłączyć robota Mission™ RTKⁿ oraz należy włożyć rękawice ochronne.

! **OSTRZEŻENIE:** **OSTRZEŻENIE!** Przy wymianie ostrzy na nowe, należy wymienić **WSZYSTKIE** ostrza. Do mocowania ostrzy zawsze używać nowych śrub. Ważne do zapewnienia ostrości i wyważenia tarczy tnącej. Jeśli nie zostaną użyte nowe śruby, może to doprowadzić do poważnych obrażeń.

Robot Mission™ RTKⁿ nie kosi trawy tak, jak inne kosiarki. Jego ostrza tnące są bardzo ostre na wszystkich 2 krawędziach i obracają się w obu kierunkach w celu uzyskania maksymalnej wydajności tnącej. Przeprojektowany profil ostrza lepiej zapobiega wciąganiu ścinków trawy w szczelinę między tarczą a ostrzem. Dzięki zastosowaniu nowych materiałów żywotność każdego ostrza tnącego będzie dłuższa niż w przypadku ostrzy innych marek, gdy zaprogramuje się je do codziennego koszenia. Należy zawsze sprawdzać ostrza pod kątem złamań lub uszkodzeń oraz wymienić je w razie potrzeby. W momencie stępienia i zużycia ostrzy tnących powinny one zostać wymienione na ostrza zapasowe dostarczone wraz z robotem Mission™ RTKⁿ. Zapasowe ostrza można nabyć również u najbliższego sprzedawcy sprzętu Kress.



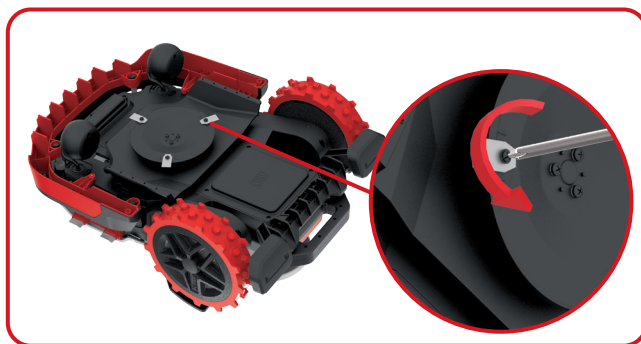
A. Wymiana ostrzy

Zazwyczaj ostrza Twojego Mission™ RTKⁿ muszą być odwracane co miesiąc i wymieniane co tydzień. Możesz dostosować częstotliwość wymiany ostrzy do jakości koszenia trawnika. Tak więc wymieniając ostrza należy upewnić się, by były one wymienione wszystkie w tym samym czasie. Można wymienić je przy użyciu jednego z zapasowych zestawów ostrzy oraz dodatkowych śrub do ich mocowania, dostarczonych wraz z robotem Mission™ RTKⁿ.

Przed przystąpieniem do wymiany ostrzy w robocie Mission™ RTKⁿ należy wyłączyć zasilanie i włożyć rękawice ochronne. Następnie należy wykonać następujące kroki:

1. Delikatnie odwrócić robota Mission™ RTKⁿ do góry dnem.
2. Zdjąć pokrywę akumulatora i wyjąć akumulator.
3. Odkręcić śruby z ostrzy przy użyciu śrubokrętu.
4. Dokładnie dokręcić śruby na nowych ostrzach.
5. Ponownie włożyć akumulator i pokrywę.

Ważne: Po przykręceniu ostrza do tarczy ostrzy upewnić się, że ostrze obraca się swobodnie.



2

Zachowanie czystości

! **OSTRZEŻENIE:** Przed przystąpieniem do czyszczenia należy wyłączyć robota Mission™ RTKⁿ.
Przed wyczyszczeniem tarczy tnącej włożyć rękawice ochronne i nie używać wody bieżącej.

! **OSTRZEŻENIE!** TWÓJ robot Mission™ RTKⁿ można czyścić tylko za pomocą węża! **NIE** używaj myjki ciśnieniowej na Mission™ RTKⁿ. Woda pod wysokim ciśnieniem może dostać się do wnętrza uszczelnienia i uszkodzić części elektroniczne i mechaniczne.

A. Czyszczenie korpusu

Robot Mission™ RTKⁿ będzie miał dużo lepszą i większą żywotność, jeśli będzie czyszczony regularnie. Ponieważ robot Mission™ RTKⁿ jest urządzeniem elektrycznym, należy zachować uwagę podczas jego czyszczenia. Wspomaganie czyszczenia wodą węża. Najlepiej użyć butelki spryskiwacza wypełnionej wodą. Korpus urządzenia należy czyścić przy użyciu miękkiej szczotki lub czystej szmatki oraz należy unikać używania rozpuszczalników lub środków do nadawania połysku. Należy też pamiętać o usunięciu wszystkich nagromadzonych resztek trawy i zanieczyszczeń.

B. Czyszczenie spodniej części

Należy pamiętać o wyłączeniu robota Mission™ RTKⁿ oraz o włożeniu rękawic ochronnych przed dotknięciem tarczy tnącej.

Najpierw należy odwrócić robota Mission™ RTKⁿ dnem do góry w celu uzyskania dostępu do spodniej części. Dzięki temu można zobaczyć tarczę tnącą, podwozie oraz przednie koło i koło napędowe. Wyczyścić wszystko dokładnie przy użyciu miękkiej szczotki lub wilgotnej szmatki.

Wspomaganie czyszczenia wodą węża.

Obrócić tarczę tnącą w celu upewnienia się, że porusza się ona swobodnie. Upewnić się, że ostrza obracają się swobodnie wokół śrub mocujących. Usunąć wszelkie przeszkody.

WAŻNE: Usunąć wszelkie zgromadzone zabrudzenia, aby uniknąć pęknięcia tarczy ostrzy. Nawet najmniejsze pęknięcie może zmniejszyć wydajność koszenia robota Mission™ RTKⁿ.



98

PL

C. Czyszczenie styków i taśm ładowania

Wyczyścić wtyk znajdujący się na stacji ładowania oraz taśmę ładowania umieszczoną na robocie Mission™ RTKⁿ przy użyciu szmatki. Regularnie usuwać wszelkie nagromadzone ścinki trawy i zanieczyszczenia wokół wtyków oraz taśm ładowania w celu zapewnienia każdorazowego skutecznego ładowania robota Mission™ RTKⁿ.

3

Żywotność akumulatora

Sercem robota do koszenia trawy Mission™ RTKⁿ jest akumulator litowo-jonowy 20 v. W celu zapewnienia odpowiednich warunków przechowywania akumulatora należy upewnić się, że jest on w pełni naładowany i trzymany w chłodnym, suchym miejscu (-20°C~+60°C).

UWAGA: Zalecana temperatura robocza urządzenia Mission™ RTKⁿ jest w zakresie 0°C - 55°C.

Żywotność robota do koszenia trawy Mission™ RTKⁿ zależy od różnych czynników, takich jak:

- Długość sezonu koszenia w danym regionie.
- Liczba godzin jaką robot Mission™ RTKⁿ kosi w ciągu dnia
- Konserwacja akumulatora podczas magazynowania.

Mission™ RTKⁿ można ładować ręcznie.

1. Podłączyć stację ładowania do odpowiedniego źródła zasilania. Kontrolka ładowania stacji będzie świecić w zielonym kolorze.
2. Ręcznie zadokować robota Mission™ RTKⁿ w stacji ładowania w momencie, gdy robot Mission™ RTKⁿ jest wyłączony.
3. Zielone światło migoczące na stacji ładowania. Robot Mission™ RTKⁿ rozpocznie ładowanie.



4

Przechowywanie w okresie zimowym

Żywotność robota Mission™ RTKⁿ będzie dłuższa oraz będzie on w lepszym stanie, jeśli będzie przechowywany w okresie zimowym. Mimo, iż ciężko się w tym pogodzić, zalecamy przechowywanie robota Mission™ RTKⁿ w szopie lub garażu podczas zimy.

Przed przygotowaniem robota Mission™ RTKⁿ do zimowej hibernacji zalecamy:

- Dokładnie wyczyścić robota Mission™ RTKⁿ
- Naładować akumulator do pełna
- Wyłączyć zasilanie

W celu maksymalizacji żywotności akumulatora zaleca się jego pełne naładowanie przed przystąpieniem do przechowywania na okres zimy.

⚠ OSTRZEŻENIE: Dolną stronę robota Mission™ RTKⁿ chronić przed kontaktem z wodą. ZABRANIA SIĘ składowania robota Mission™ RTKⁿ, odwróconego dolną osłoną w górę na zewnątrz ponieważ występuje ryzyko przedostania się wody do wewnątrz urządzenia.

UWAGA: Po przywróceniu robota Mission™ RTKⁿ do pracy po okresie zimowym należy upewnić się, że taśmy ładowania i wtyki są czyste. W celu wyczyszczenia zaleca się zastosowanie drobnoziarnistego płótna szmerglowego. Korzystając z aplikacji, upewnij się, że ustawienie daty i godziny jest poprawne i wyslij Mission™ RTKⁿ z powrotem do tego, co lubi robić: koszenie.

5

Wymiana akumulatora

⚠ OSTRZEŻENIE: Przed przystąpieniem do podłączenia akcesoriów, wykonywaniem ustawień lub napraw należy wyłączyć urządzenie. Przed przystąpieniem do regulacji lub wymiany ostrzy należy wyłączyć robota Mission™ RTKⁿ oraz należy włożyć rękawice ochronne.

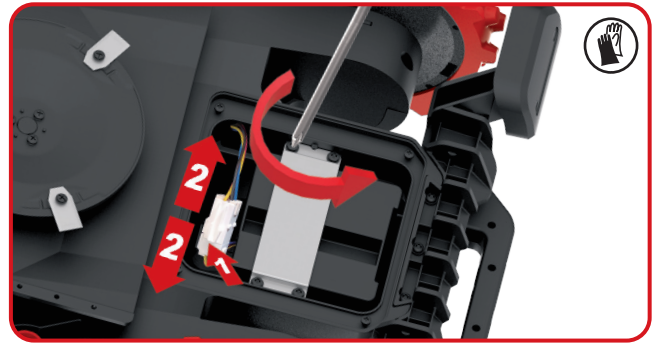
Jeśli konieczna jest wymiana baterii, należy wykonać następujące czynności:

1. Delikatnie obrócić robota Mission™ RTKⁿ do góry dnem.
2. Odkręcić śruby pokrywy pojemnika akumulatora. Zdjąć pokrywę pojemnika.

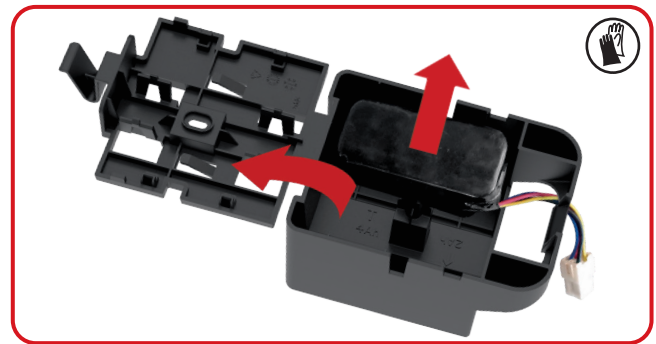


3. Odkręć śruby mocujące osłonę.
Zdejmij osłonę.
4. Naciśnij zatrzask i zwolnij złącza jak pokazano na rysunku. Ostrożnie wyjmij pojemnik na baterie.

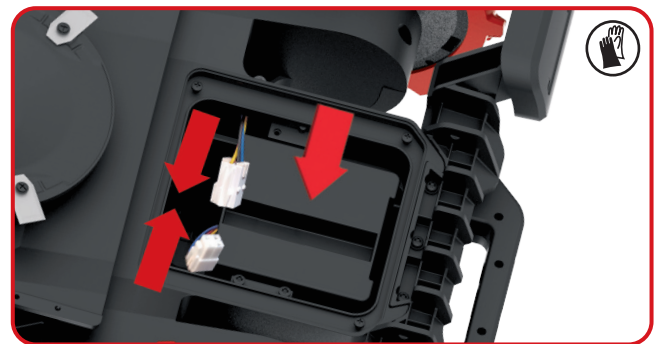
UWAGA: Nie ciągnąć za przewody.
Przytrzymać za złącza i odłączyć konektor.



5. Otwórz pojemnik na baterie, a następnie ostrożnie wyjmij baterię. Wymień starą baterię na nową.



6. Umieść pojemnik na baterie z powrotem na swoim miejscu i podłącz złącza. Ponownie zamontuj osłonę.



7. Ponownie umieścić pokrywę pojemnika na akumulatorach i delikatnie dokręcić śruby.




Rozwiązywanie problemów

Jeśli robot Mission™ RTKⁿ nie pracuje w prawidłowy sposób, należy postępować zgodnie z poniższą instrukcją rozwiązywania problemów. Jeśli usterka będzie się utrzymywać, należy skontaktować się ze sprzedawcą.

Objaw	Przyczyna	Rozwiązanie
LED na podstawie ładującej nie włącza się.	Brak zasilania.	Sprawdź, czy podstawa ładująca jest prawidłowo podłączona do ładowarki, a ładowarka jest podłączona do odpowiedniego źródła zasilania.
Mission™ RTK ⁿ nie może prawidłowo zadokować do podstawy ładującej.	Pasek magnetyczny jest umieszczony w niewłaściwym kierunku.	Sprawdź, czy pasek magnetyczny nie jest umieszczony w niewłaściwym kierunku. Po prawidłowym umieszczeniu zielony pasek paska magnetycznego jest skierowany w kierunku przeciwnym do podstawy ładującej.
Urządzenie rozładowuje się, ale nie powraca do podstawy ładującej.	Nie zmapowano wirtualnej podstawy ładującej.	Odbuduj mapę i dodaj wirtualną podstawę ładującą.
	Długość paska magnetycznego jest mniejsza niż 2,5 m.	Długość paska magnetycznego powinna być dłuższa niż 2,5 m.
Gdy Mission™ RTK ⁿ porusza się w dół stoku, przekracza linię graniczną.	Kąt linii granicznej jest bardzo ostry.	Staraj się unikać sytuacji z ostrymi kątami.
Po włączeniu Mission™ RTK ⁿ przycisk startu jest wciśnięty, ale urządzenie nie działa.	Mission™ RTK ⁿ znajduje się poza obszarem roboczym.	Przesuń Mission™ RTK ⁿ w obszar roboczy.
	Słaby sygnał pozycjonowania	Znajdź wolną przestrzeń, poczekaj, aż światło sygnału pozycjonowania zmieni kolor na zielony, a następnie naciśnij przycisk startu.
Mission™ RTK ⁿ nie wydaje sygnału alarmowego, gdy znajduje się poza ogrodzeniem geodezyjnym.	Oprogramowanie Mission™ RTK ⁿ nie jest najnowsze.	Zaktualizuj oprogramowanie Mission™ RTK ⁿ .
	Urządzenie Mission™ RTK ⁿ jest wyłączone.	Włącz Mission™ RTK ⁿ .
Mission™ RTK ⁿ stanął na środku przeszkody.	Przeszkody wokół Mission™ RTK ⁿ są stosunkowo niewielkie, a Mission™ RTK ⁿ nie potrafi dać sobie z nimi rady.	Ustaw obszar, w którym Mission™ RTK ⁿ może łatwo utknąć, jako obszar zakazany.
	Czujnik Mission™ RTK ⁿ działa nieprawidłowo	Znajdź stronę diagnostyczną Mission™ RTK ⁿ w aplikacji i sprawdź status czujnika.
Nie można odczytać dziennika	Format U-disk nie jest zgodny z formatem FAT32 .	Przeformatuj U-disk na FAT32 .
Mission™ RTK ⁿ stoi przy ścianie i nie można go uruchomić, a kontrolka pozycjonowania świeci się zawsze na czerwono.	Mission™ RTK ⁿ pracuje w zacienionym obszarze zbyt długo, co powoduje uruchomienie zabezpieczenia.	Staraj się nie pozwalać, aby Mission™ RTK ⁿ kosiła w miejscach zbyt zacienionych.
	W okolicy znajduje się zbyt wiele ścian lub drzew, które blokują sygnał pozycjonowania	

Zasady ochrony środowiska

 Odpady wyrobów elektrycznych nie powinny być wyrzucane razem z odpadami gospodarstwa domowego. Należy korzystać z recyklingu, jeśli istnieje odpowiednia infrastruktura. Porady dotyczące recyklingu można uzyskać u władz lokalnych lub sprzedawcy detalicznego.

Deklaracja zgodności

My niżej podpisani,
Positec Germany GmbH
Postfach 680194, 50704 Cologne, Germany

W imieniu firmy Positec zaświadczam, że produkt

Opis **Robot do koszenia trawy**

Typ **KR160E KR160E.A KR161E KR171E (100-199- oznaczenie maszyn zgodnych z robotem do koszenia trawy) (Rok, miesiąc produkcji oraz numer fabryczny produktu podano na tabliczce umieszczonej na tylnej obudowie kosiarki. Pełny numer fabryczny znajduje się na obudowie kosiarki) z ładowarkę akumulatora KA0200 / KA0201 i bazą ładowania KA0074**

Funkcja **Koszenie trawy**

Jest zgodny z poniższymi dyrektywami,
2006/42/EC, 2014/30/EU, 2014/35/EU, 2011/65/EU&(EU)2015/863, 2000/14/EC zmieniona dyrektywą 2005/88/EC, 2014/53/EU

2000/14/EC zmieniona dyrektywą 2005/88/EC

- Procedura oceny zgodności zgodnie z

Annex V

- Zmierzony poziom mocy akustycznej

55.5 dB (A)

- Deklarowany gwarantowany poziom mocy akustycznej

59 dB (A)

102

PL

Standardy zgodne z,

Dla kosiarki: EN 50636-2-107:2015+A1:2018+A2:2020+A3:2021, EN 60335-1:2012+A11:2014+A13:2017+A1:2019+A2:2019+A14:2019+A15:2021, EN IEC 62311:2020, EN IEC 55014-1:2021, EN IEC 55014-2:2021, EN IEC 61000-3-2:2019+A1:2021, EN 61000-3-3:2013+A1:2019+A2:2021

Dla modułu ultradźwiękowego: EN 55011: 2016+A11:2020

Dla modułu 4G+GPS: EN 301 489-1 V2.2.3, EN 301 489-19 V2.1.1, EN 301 489-52 V1.2.1, EN 301 511 V12.5.1, EN 301 908-1 V15.0.1, EN 301 908-13 V13.1.1, EN 303 413 V1.2.1

Dla ładowarki: EN IEC 55014-1:2021, EN IEC 55014-2:2021, EN IEC 61000-3-2:2019+A1:2021, EN 61000-3-3:2013+A1:2019+A2:2021, EN IEC 60335-2-29:2021+A1:2021, EN 60335-1:2012+A11:2014+A13:2017+A1:2019+A2:2019+A14:2019+A15:2021, EN 62233:2008

Dla hałas: EN ISO 3744:1995

Dla RoHS: EN IEC 63000:2018

Osoba upoważniona do sporządzenia dokumentacji technicznej,

Imię i nazwisko **Marcel Filz**

Adres **Positec Germany GmbH Postfach 680194, 50704 Cologne, Germany**



2024/02/28

Allen Ding

Zastępca głównego inżyniera, testowanie i certyfikacja

Positec Technology (China) Co., Ltd.

18, Dongwang Road, Suzhou Industrial Park, Jiangsu 215123, P. R. China

Brugere kan se den elektroniske vejledning på <https://www.kress.com/en/>.

Produktsikkerhed

Generelle og yderligere sikkerhedsvejledninger



ADVARSEL: Læs alle sikkerhedsadvarslerne og alle vejledningerne. Følges advarslerne og instruktionerne ikke, kan det føre til elektrisk stød, brand og/eller alvorlig personskade. **Læs alle vejledningerne omhyggeligt, så denne maskine betjenes på en sikker måde.**

Gem alle advarsler og vejledninger til senere brug.

- Dette apparat er ikke beregnet til brug af personer (herunder børn), med begrænsede fysiske, sensoriske eller mentale evner, eller personer med manglende erfaring eller viden, medmindre de er blevet vejledt eller instrueret i hvordan apparatet bruges, af en person med ansvar for deres sikkerhed.
- Børn skal være under opsyn, for at sikre de ikke leger med apparatet.
- Batteriet i denne enhed kan kun udskiftes af kvalificeret personale.
ADVARSEL: Brug kun den flytbare strømforsyningsenhed, der følger med enheden, for at oplade batteriet.

VIGTIGT LÆS FORSIGTIGT FØR BRUG BEHOLD TIL SENERE BRUG

Sikker brugspraksis Uddannelse

- Læs instruktionerne omhyggeligt. Sørg for, at du forstår vejledningerne, og at du er bekendt med betjeningsknapperne og hvordan apparatet bruges ordentligt.
- Lad aldrig personer, som ikke er bekendte med disse vejledninger, eller børn bruge apparatet. Den lokale lovgivning kan begrænse alderen på brugeren.
- Brugeren er ansvarlig for mulige uheld og farlige situationer for andre personer og deres ejendom.

Forberedelse

- Sørg for, at den virtuelle grænse er lavet som anvist, og at den virtuelle grænse vedligeholdes regelmæssigt. Hver gang

maskinen går i gang, kører den først rundt om arbejdsområdet for at se, om den virtuelle grænse findes. Hvis den ikke kan finde den virtuelle grænse, lukker den ned. Den virtuelle grænse angiver arbejdsområder, hvor maskinen må køre. Maskinens RTK-antenne registrerer, når maskinen kommer tæt på den virtuelle grænse. Hvis maskinen rammer en forhindring eller nærmer sig den virtuelle grænse, skifter den retning.

- Efterse regelmæssigt områder, hvor apparatet skal bruges, og fjern alle sten, pinde, ledninger, knogler og andre genstande.
- Efterse regelmæssigt skæreklingen, boltene og samlingerne, og sørg for at de ikke er nedslidte eller beskadigede. Udskift nedslidte eller beskadigede skæreklinger og bolte i sæt, så du bibeholder balancen.
- På apparater med flere aksler, skal du være forsigtig når du drejer klingene, da den anden kan ske også at dreje.
- ADVARSEL: Plæneklipperen må ikke anvendes uden beskyttelsesdækslet monteret.

Betjening

1. Generelt

- Brug aldrig apparatet med ødelagte skærme, eller uden at sikkerhedsanordningerne, såsom afvigelsesskærmene, er på plads.
- Put ikke hænderne eller fødderne under drejende dele. Sørg altid for, at holde dig væk fra udstødningsåbningen.
- Saml ikke ting op, eller bær på ting, mens apparatets motor kører.
- Betjen afbrydningsfunktionen fra applikationen:
 - Før du renser maskinen for blokerende elementer;
 - Før du efterser, rengøre eller arbejder på apparatet;
 - Hvis maskinen har ramt et fremmedlegeme, skal den ses efter for eventuelle skader;
 - Hvis maskinen begynder at vibrere unormalt, skal maskinen ses efter for skader, inden den startes igen.
- Det er ikke tilladt, at ændre på græsslåmaskinens originale design. Alle ændringer som laves er på dit eget ansvar.
- Start græsslåmaskinen som beskrevet i vejledningerne. Når strømmen er tændt, skal du sørge for at holde dine hænder og fødder væk fra de roterende knive. Put aldrig dine hænder eller fødder under græsslåmaskinen.
- Robotplæneklipperen må aldrig løftes eller bæres, når den er tændt.

- h) Lad ikke personer, som ikke ved hvordan græsslåmaskinen virker og opfører sig, bruge den.
- i) Undgå, at stille ting oven på græsslåmaskinen eller dens opladestation.
- j) Undgå, at bruge græsslåmaskinen med en ødelagt klinge eller karrosseri. Og den må heller ikke bruges med ødelagte klinger, skruer, møtrikker eller kabler.
- k) Sluk altid for græsslåmaskine-robotten, når du ikke har i sinde at bruge robotten. Robotplæneklipperen kan kun starte, når den er tændt, og den rigtige pinkode er indtastet.
- l) Hold hænderne og fødderne væk fra de roterende blade. Placér aldrig hænderne eller fødderne tæt på eller under kassen, mens robot-plæneklipperen er i funktion.
- m) Undgå at bruge maskinen og dens eksterne enheder under dårlige vejforhold, især når der er risiko for lynnedslag.
- n) Rør ikke bevægelige farlige dele, før disse er kommet til et fuldstændigt stop.
- o) For maskiner, der anvendes i offentlige områder, de advarselsskilte skal anbringes i nærheden af maskinens arbejdsområde. De skal vise indholdet af den følgende tekst: Advarsel! Automatisk plæneklipper! Hold dig væk fra maskinen! Tilsyn med børn!
- p) For at undgå risikoen for skader, skal du stoppe plæneklipperen og bære den over til en anden græsplæne, der skal klippes. Træk eller træk aldrig plæneklipperen, mens den er i drift, når du skifter den græsplæne, der skal klippes.

2. Når apparatet bruges automatisk

- a) Efterlad ikke maskinen i brug uden opsyn, hvis du ved der er kæledyr, børn eller andre personer i nærheden.

Vedligeholdelse og opbevaring



ADVARSEL! Når plæneklipperen anvendes på hovedet, skal den altid først slukkes.

Plæneklipperen skal være slukket under alt arbejde på dens underside, som fx rengøring eller udskiftning af knive.

- a) Sørg for, at alle møtrikker, bolte og skruer sidder ordentlig fast, så du sikrer at apparatet er sikker stand.
- b) Efterse græsslåmaskinen hver uge, og skift nedslidte eller ødelagte dele.
- c) Kontroller, at klingerne og klingeskiven ikke er beskadigede. Skift alle klinger og skruer på samme tid, så de drejende dele er

balancerede.

- d) Sørg for, at du udskifter skæreelementerne med den rigtige type.
- e) Sørg for, at batterierne oplades med den rigtige oplader, som er blevet anbefalet af producenten. Forkert brug kan føre til elektrisk stød, overophedning eller udslip af ætsende væsker fra batteriet.
- f) I tilfælde af udslip af elektrolyt, skal du skylle med vand/neutraliserende middel, og søg lægehjælp hvis det kommer i kontakt med dine øjne.
- g) Reparation af apparatet skal ske i henhold til producentens vejledninger.

Anbefaling

Tilslut kun maskinen og/eller dets periferiudstyr til et forsyningskredsløb beskyttet af en reststrømsanordning (RCD) med en trippestrøm på højst 30 mA.

Resterende ricisi

For at undgå personskader, brug beskyttelseshandsker ved udskiftning af knivene.

Transport

Når græsslåmaskinen skal transporteres over længere afstande, skal du bruge originalemballagen.

Sådan flyttes græsslåmaskinen sikker fra eller indenfor arbejdsområdet:

To safely move form or within the working area:

- a) Tryk på STOP knappen for at standse plæneklipperen.
Du vælger den firecifrede PIN-kode, når du starter plæneklipperen første gang.
- b) Stil kontakten på OFF (slukket), hvis du har i sinde at bære på græsslåmaskinen.
- c) Løft græsslåmaskinen i bærehåndtaget på forsiden. Løft græsslåmaskinen med klingeskiven væk fra kroppen.

Krav for RF-eksponering

For at opfylde kravene for RF-eksponering, en separationsafstand på 200 mm eller mere bør opretholdes mellem denne enhed og personer gennem enhedsdrift.

At sikre overholdelse, operationer på tættere end denne afstand anbefales ikke. Antennen, der anvendes til denne sender, må ikke være placeret i sammenhæng med enhver anden antenne eller transmitter.

Dette er et apparat i klasse III, og det må kun forsynes med ekstra lav sikkerhedsspænding

svarende til mærkningen på apparatet.

Sikkerhedsadvarsler for batterisættet inden i værktøjet

- a) **Sekundærelementer eller batterisæt må ikke skilles ad, åbnes eller knuses.**
- b) **Et batterisæt må ikke kortsluttes. Batterisæt må ikke opbevares lemfældigt i en kasse eller skuffe, hvor de kan kortslutte hinanden eller kortsluttes af ledende genstande.** Når batterisættet ikke er i brug, skal det holdes væk fra andre metalgenstande, såsom papirclips, mønter, nøgler, søm, skruer eller andre små metalgenstande, der kan skabe en forbindelse fra en pol til en anden, Kortslutning af batteripoler kan medføre forbrændinger eller brand.
- c) **Batterisæt må ikke udsættes for varme eller ild. Må ikke opbevares i direkte sollys.**
- d) **Batterisæt må ikke udsættes for mekaniske stød.**
- e) **I tilfælde af at et batteri lækker, må væsken ikke komme i kontakt med huden eller øjne. Hvis der er sket kontakt, skal det berørte område vaskes med rigelige mængder vand, hvorefter der søges lægehjælp.**
- f) **Opbevar batterisæt på et rent og tørt sted.**
- g) **Genoplad kun med laderen specificeret af Kress. Anvend ingen anden oplader end den, der specifikt er beregnet til brug med udstyret.**
- h) **Brug kun det korrekte batteri til udstyret.**
- i) **Batterisættet skal opbevares utilgængeligt for børn.**
- j) **Opbevar den originale produktlitteratur til fremtidig brug.**
- k) **Bortskaffes på en miljørigtig måde.**
- l) **Bland ikke batterier af forskellig fremstilling, kapacitet, størrelse eller type i enheden.**
- m) **Hold batteriet væk fra mikrobølgeovne og højt tryk.**
- n) **Advarsel! Brug ikke ikke-genopladelige batterier.**

Brugervejledning – krav til trådløst produkt

- a) **Brugen af denne enhed er underlagt følgende to betingelser:**
 - (1) Denne enhed må ikke forårsage skadelig interferens, og
 - (2) denne enhed skal acceptere enhver modtaget interferens, inklusive interferens,

der kan forårsage uønsket drift.

- b) **Forsigtig: Ændringer eller modifikationer af denne enhed, der ikke udtrykkeligt er accepteret af den part, der er ansvarlig for overholdelsen, kan ugyldiggøre brugerens ret til at bruge udstyret.**
- c) **BEMÆRK:** Dette udstyr genererer, bruger og kan udstråle radiofrekvensenergi og kan, hvis det ikke installeres og bruges i overensstemmelse med instruktionerne, forårsage skadelig interferens i radiokommunikation. Der er dog ingen garanti for, at interferens ikke vil forekomme i en bestemt installation. Hvis dette udstyr forårsager skadelig interferens på radio- eller tv-modtagelse, hvilket kan fastslås ved at slukke og tænde for udstyret, opfordres brugeren til at forsøge at rette op på interferensen ved hjælp af en eller flere af følgende foranstaltninger:
 - Drej eller flyt modtagerantennen.
 - Øg afstanden mellem udstyret og modtageren.
 - Tilslut udstyret til en stikkontakt på et andet kredsløb end det, som modtageren er tilsluttet.
 - Henvend dig til en forhandler eller en erfaren radio-/tv-tekniker for assistance.

Symboler



ADVARSEL – robotplæneklippere kan være farlige, hvis de ikke bruges korrekt.

Læs betjeningsvejledningen omhyggeligt igennem og forstå indholdet, inden du bruger robotplæneklipperen.



ADVARSEL - Hold en sikker afstand fra maskinen, når du betjener den.



ADVARSEL – Betjen inaktiveringsmekanismen, inden du arbejder med eller løfter maskinen.



ADVARSEL – Du må ikke ride på maskinen.



Klasse III apparat

106

DK



Elektriske affaldsprodukter må ikke bortskaffes sammen med husholdningsaffald. Afleverer venligst maskinen på genbrugsstationen. Kontakt de lokale myndigheder eller din forhandler for at få råd om genbrug.



Li-Ion



Lithium-ion batteri Dette produkt er mærket med et symbol i forbindelse med "separat indsamling" af alle batterier og batteripakker. Det genanvendes eller fjernes for at reducere miljøbelastningen. Batteriet kan være skadeligt for miljøet og menneskers sundhed, fordi det indeholder skadelige stoffer.



Må ikke brændes.



Hvis det ikke håndteres korrekt, kan batteriet komme ind i vandcyklussen, hvilket kan forårsage skade på økosystemet. Brug ikke brugte batterier som usorteret kommunalt affald.



Maskinen må ikke vaskes med en højtryksrensers

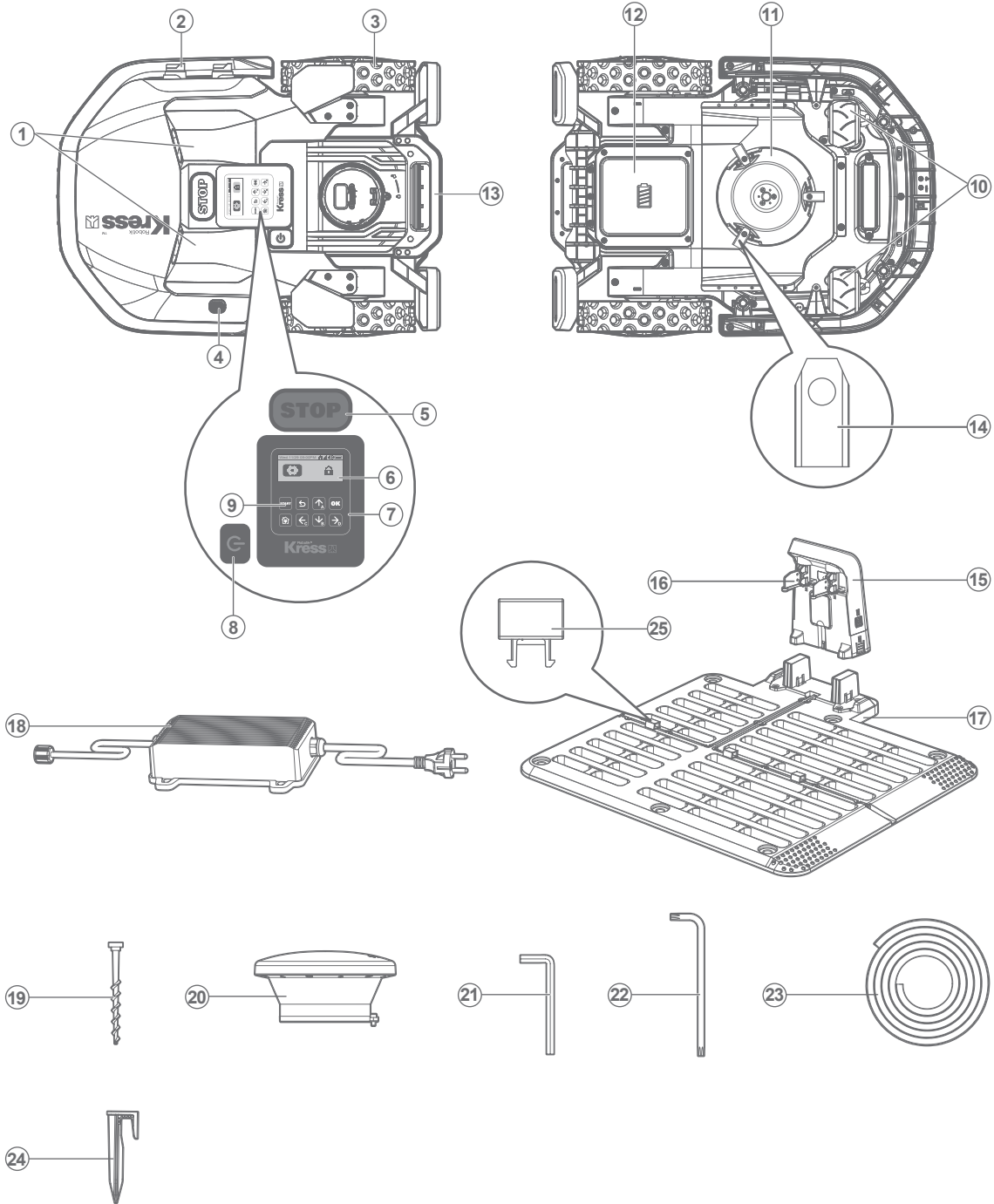


Læs betjeningsvejledningen



Aftagelig forsyningsenhed

Komponentenliste



- | | |
|--|--------------------------------|
| 1. Ultralydssensor (kun på KR160E.A, KR161E, KR171E) | 14. Klinge |
| 2. Opladestik | 15. Opladestang |
| 3. Bagerste Drivhjul | 16. Kontakt |
| 4. Regnsensor | 17. Opladebase |
| 5. STOP-knap | 18. Strømadapter |
| 6. Skærm | 19. Skruer Til Opladebasen |
| 7. Tastatur | 20. RTK-antenne |
| 8. Tænd/sluk-knap | 21. Unbrakonøgle |
| 9. START knap | 22. Skruenøgle til RTK-antenne |
| 10. Forhjul | 23. Magnetstrimmel |
| 11. Knives knivplade | 24. Hæfteklammer |
| 12. Batteripakke * | 25. Spænde |
| 13. Forhjul | |

* Illustreret eller beskrevet tilbehør er kun delvis indeholdt i leverancen.

Tekniske Data

Type **KR160E KR160E.A KR161E KR171E (100-199 - udpegning af maskiner, repræsentant for Græsslåmaskine-robot)**

108
DK

	KR160E	KR160E.A	KR161E	KR171E
Nominel spænding	20V $\overline{=}$ Max.*			
Hastighed uden belastning	2700/min			
Skæreamråde **	600 m ²		1000 m ²	1500 m ²
Skærediameter	20 cm			
Skæredybde	30-60 mm			
Klippehøjdeindstillinger	7			
Batteritype	Litowo-jonowa			
Batterimodel	KA3024			
Opladningtid ca.	180 min			
Opladermodel	KA0200 / KA0201			
Mærkekapacitet på opladeren	Wejściowa: 100-240 V~50/60 Hz, 38 W, Wyjściowa: 20 V, 1.5 A			
Maskinvægt	12 kg		12.2 kg	
Isolationsklasse	III			
App	Y			
Maksimal hældning inden for arbejdsfladen	40%			

* Spændingen er målt uden arbejdsbelastning. Den indledende batterispænding når maksimalt op på 20 volt. Nominel spænding er 18 volt.

** Det samlede klippeområde inden for alle aktive forudindstillinger bør ikke overstige den anbefalede område størrelse. Det overskredne område kan ikke tildeles plæneklipperen.

Tekniske data for antenne

Nominel spænding	5V±2%		
Driftstemperatur	-40°C~85°C		
Opbevaringstemperatur	-40°C~85°C		
Band	Tx(Mhz)	Rx(Mhz)	RF-udgangseffekt (maks.)
GSM900(B8)	880-915	925-960	33dBm
DCS1800(B3)	1710-1785	1805-1880	30dBm
WCDMA B1	1920-1980	2110-2170	24dBm
WCDMA B8	880-915	925-960	24dBm
LTE-FDD B1	1920-1980	2110-2170	23dBm
LTE-FDD B3	1710-1785	1805-1880	23dBm
LTE-FDD B7	2500-2570	2620-2690	23dBm
LTE-FDD B8	880-915	925-960	23dBm
LTE-FDD B20	832-862	791-821	23dBm
LTE-FDD B28	703-748	758-803	23dBm
LTE-TDD B38	2570-2620	2570-2620	23dBm
LTE-TDD B40	2300-2400	2300-2400	23dBm

109
DK

Tekniske data for 4G-GPS

4G-modul -GNSS	GNSS GPS-bånd L1	1575.42+/-1.023
	Calileo-bånd E1	1575.42+/-1.023
	BDS-bånd E11	1561.098+/-2.046
	GLONASS-bånd G1	1579.5~1605.8

Støjinformation

	KR160E KR160E.A KR161E KR171E
A vægtet lydtryksniveau	$L_{pA} = 47.5 \text{ dB (A)}, K_{pA} = 3.0 \text{ dB(A)}$

A vægtet lydeffektniveau

$L_{WA} = 55.5 \text{ dB (A)}$, $K_{WA} = 3.0 \text{ dB(A)}$

Bær høreværn, når lydtrykket er over

80 dB(A) 

En vis støj fra maskinen kan ikke undgås. Støjende arbejde skal man have tilladelse til og begrænses til visse periode. Hold pauser og begræns arbejdstimerne til et minimum. Som personlig beskyttelse og beskyttelse af mennesker i nærheden, skal der bæres passende høreværn.

Tilbehør

	KR160E	KR160E.A	KR161E	KR171E
Skruer til fastgørelse af klingerne	9	9	9	9
Opladestation	1	1	1	1
Skruer Til opladebasen	6	6	6	6
Unbrakonøgle	1	1	1	1
Skruenøgle til RTK-antenne	1	1	1	1
Magnetstrimmel	1	1	1	1
Måler	2	2	2	2
Knive	9	9	9	9
RTK-antenne	1	1	1	1
Hæfteklammer	16	16	16	16
Batteripakke (KA3024)	1	1	1	1
Batterioplader (KA0200/KA0201)	1	1	1	1

110
DK

Det anbefales, at alt udstyr købes i samme butik som maskinen. Se på emballagen til tilbehøret for at få yderligere oplysninger. Få hjælp og råd i butikken.

Beregnet Anvendelse

Dette produkt er beregnet til privat plæneklipping. Den er designet til at slå græs ofte, for at vedligeholde en sundere og bedre udseende plæne end nogensinde før. Afhængig af størrelsen af din plæne, kan Mission™ RTKⁿ programmeres til at operere på ethvert tidspunkt og på enhver frekvens uden nogen restriktioner. Det er ikke beregnet til grave, fejning eller sne rydning.

Vedligeholdelse

Din Mission™ RTKⁿ arbejder hårdt, og skal efter et stykke tid rengøres ordentligt, og muligvis have et par dele udskiftet, da disse bliver slidt. Din Mission™ RTKⁿ skal regelmæssigt ses efter. Brug aldrig din Mission™ RTKⁿ med en defekt tænd/sluk knap.

Sluk for maskinen inden servicering eller vedligeholdelse.

I de følgende afsnit fortæller vi dig, hvordan du plejer din Mission™ RTKⁿ.

1

Hold den skarp

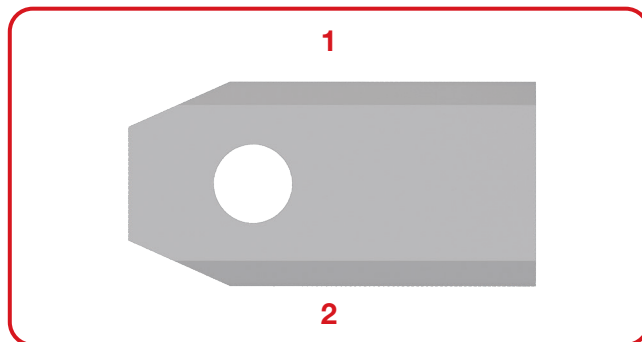


ADVARSEL: Før rengøring, justering eller udskiftning af klingerne, skal du slukke for din Mission™ RTKⁿ, og tag sikkerhedshandsker på.



ADVARSEL: Ved udskiftning af knive sørg for, at du udskifter ALLE knivene. Brug altid nye skruer, når du skifter knivene. Det er vigtigt for at sikre, at klingen sidder fast, og for at afbalancere klingevenderskiven. Bruger du ikke nye skruer, kan det medføre alvorlige skader.

Mission™ RTKⁿ Kan ikke klippe græs som andre plæneklippere. Produktets skærekniv er meget skarpt på alle 2 kanter og kan drejes i begge retninger for at opnå maksimal skæreevne. Med den nydesignede klingeprofil kommer der ikke så mange græsrester i klemme mellem skiven og klingene. Og med det nye materiale er levetiden på hver skæreklinge længere end på andre mærker, når maskinen programmeres til at klippe hver dag. Kontroller altid, om knivbladene er flækkede eller beskadigede, og udskift dem, hvis de er det. Når knivbladene er sløve og slidte, skal de udskiftes med de reserveblade, der følger med din Mission™ RTKⁿ. Reserveknive kan også fås hos din nærmeste Kress forhandler.



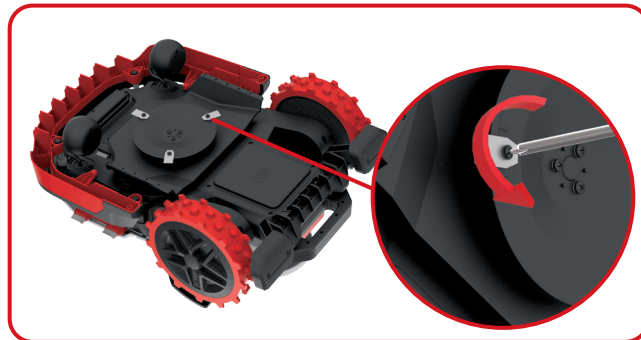
A. Udskiftning af klingerne

Normalt skal klingerne på din Mission™ RTKⁿ vendes om hver måned, og den skal skiftes hver uge, men de kan skiftes i henhold til, hvor godt plæneklipperen klipper græsset. Så når du skifter klingerne, skal du sørge for at skifte dem alle sammen på samme tid. Du kan skifte dem med et af de ekstra klingsæt og ekstra klingskruer, som følger med din Mission™ RTKⁿ.

Inden du udskifter knive på din Mission™ RTKⁿ, slå strømmen fra og tag beskyttelseshandsker på. Følg herefter disse trin:

1. Vend forsigtigt din Mission™ RTKⁿ om på siden.
2. Fjern batteridækslet og fjern batteriet.
3. Skru skruerne på knivene af med en skruetrækker.
4. Fastspænd skruerne på de nye knive ordentligt.
5. Sæt batteriet og batteridækslet på plads igen.

Vigtigt: Når du har skruet klingene på klingskiven, skal du sørge for at klingene kan dreje frit.



2

Hold den ren

! **ADVARSEL:** Inden rengøring sluk for din Mission™ RTKⁿ, brug sikkerhedshandsker når du rengør klingeskiven, og undgå at bruge rindende vand.

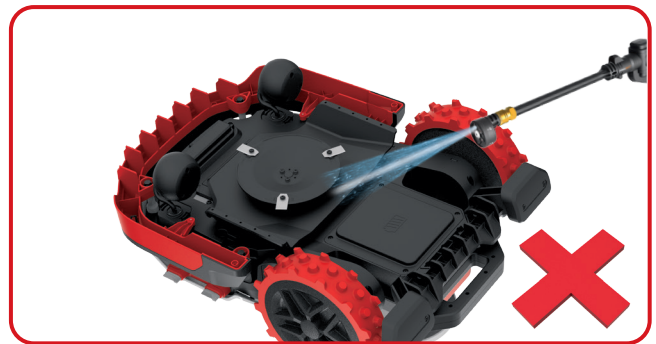
! **ADVARSEL!** Din Mission™ RTKⁿ må kun vaskes ved hjælp af en vandslange! Brug IKKE højtryksrensere på din Mission™ RTKⁿ. Højtryksvand kan trænge ind i forseglingerne og beskadige elektroniske og mekaniske dele.

A. Rengøring af karosseriet

Din Mission™ RTKⁿ vil få et meget lykkeligere og længere liv, hvis den rengøres regelmæssigt. Da Mission™ RTKⁿ er en elektrisk maskine, skal du dog være påpasselig ved rengøring. Brug kun rent vand fra haveslangen. Det er bedst at bruge en sprayflaske med vand. Når du renser maskinens karosseri, brug en blød børste eller en ren klud og undgå brug af opløsningsmidler eller pudsemidler. Endelig skal du sørge for at fjerne alle rester af græs og snavs.

B. Rengøring af undersiden

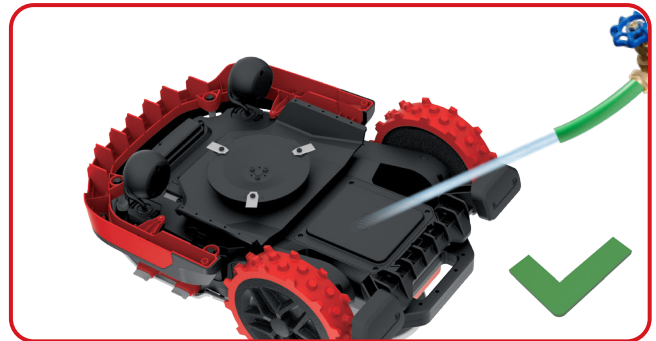
Her er det igen vigtigt, at du slukker for din Mission™ RTKⁿ, **og brug beskyttelseshandsker, før du rører ved klingerne.** Først skal du vende Mission™ RTKⁿ om for at få undersiden opad. Her vil du kunne se klingeskiven, karosseriet, forhjulet og baghjulet. Rengør alt grundigt med en blød børste eller en fugtig klud. Brug kun rent vand fra haveslangen.



112
DK

Drej klingedisken for at sikre at den roterer frit. Kontroller at knivene drejer frit omkring skrueene. Fjern eventuelle forhindringer.

VIGTIGT: Fjern al fastklemt skidt, så det ikke forårsager revner klingeskiven. Selv den mindste revne kan reducere din Mission™ RTKⁿ's evne til at slå græs.



C. Rengør kontaktpladerne og opladekontakterne

Rengør kontaktpladerne på opladestationen og opladekontakterne på din Mission™ RTKⁿ med en klud. Fjern regelmæssigt al ophobet græs og skidt omkring kontaktpladerne og opladekontakterne, så du sikrer, at din Mission™ RTKⁿ oplades helt hver gang.

3

Batteriliv

Hjertet på din Mission™ RTKⁿ er dens 20-volt lithium-ion-batteri. For ordentlig opbevaring af batteriet, skal du sørge for at oplade det helt og opbevare det på et køligt og tørt sted med en temperatur på -20°C~+60°C.

BEMÆRK: Den anbefalede Mission™ RTKⁿ driftstemperatur er mellem 0°C - 55°C.

Levetiden på din Mission™ RTKⁿ's batteri afhænger af forskellige faktorer, såsom:

- Hvor ofte den bruges i en sæson
- Antallet af timer din Mission™ RTKⁿ slår græs pr. dag
- Hvordan du behandler dit batteri, mens det opbevares

Din Mission™ RTKⁿ kan oplades manuelt.

1. Tilslut ladestationen til en passende strømforsyning. Det grønne lys på opladestationen tændes.
2. Sæt Mission™ RTKⁿ manuelt i ladestationen, mens Mission™ RTKⁿ er slukket.
3. Det grønne lys på opladestationen blinker, og Mission™ RTKⁿ begynder at lade op.



4

Opbevarelse om vinteren

Din Mission™ RTKⁿ vil leve længere og sundere, hvis den får lov til at gå i dvale. Så selv om det er svært, anbefaler vi, at du opbevarer din Mission™ RTKⁿ i dit skur eller din garage om vinteren.

Før du forbereder din Mission™ RTKⁿ til vinterdvale, anbefaler vi, at du:

- Rengør din Mission™ RTKⁿ grundigt
- Lad batteriet helt op
- Sluk for strømmen

For at maksimere batteriets levetid skal du lade batteriet helt op, inden det opbevares om vinteren.

! **ADVARSEL: Beskyt undersiden af Mission™ RTKⁿ mod vand. Opbevar ALDRIG Mission™ RTKⁿ på hovedet udendørs.**

BEMÆRK: Når Mission™ RTKⁿ tages i brug igen efter vinterdvale, skal du sørge for, at opladningsflader og kontaktstifter er rene. Vi anbefaler, at du bruger en fin slibeklud til at rengøre kontakterne. Kontroller med appen, at dato og klokkeslæt er korrekte, og send Mission™ RTKⁿ tilbage til det, den elsker at gøre: at slå græs.

5

Udskiftning af batteriet

! **ADVARSEL: Sluk for strømmen, før du forsøger at foretage justering, udskiftning eller reparation. Før du udskifter knivbladene, skal du slukke for din Mission™ RTKⁿ og tage beskyttelseshandsker på.**

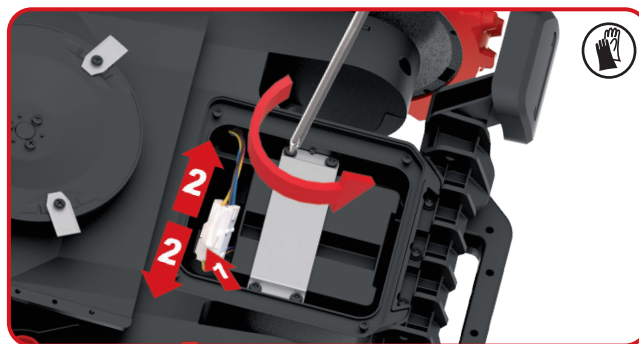
Hvis batteriet skal skiftes, skal det gøres på følgende måde:

1. Vend forsigtigt din Mission™ RTKⁿ på hovedet.
2. Fjern skruerne på batteridækslet. Fjern batteridækslet.

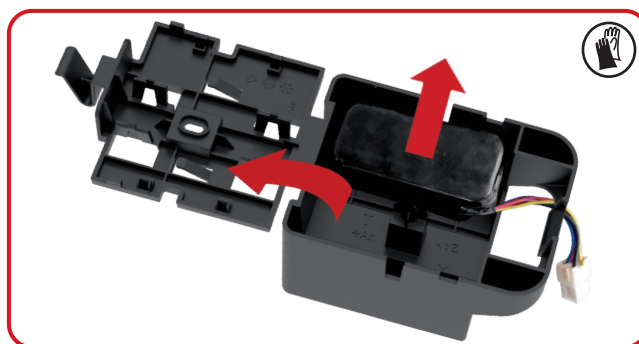


3. Fjern skruerne på metalpladen.
Fjern metalpladen.
4. Tryk på låsen, og slip stikkene som vist på billedet. Træk forsigtigt batteriboksen ud.

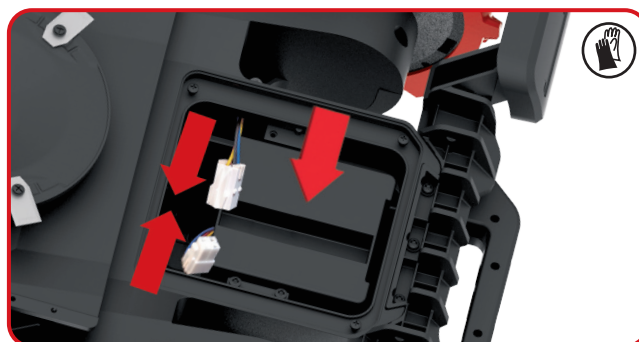
BEMÆRK: Træk ikke i kablerne. Hold konnektorerne og slå klinken fra.



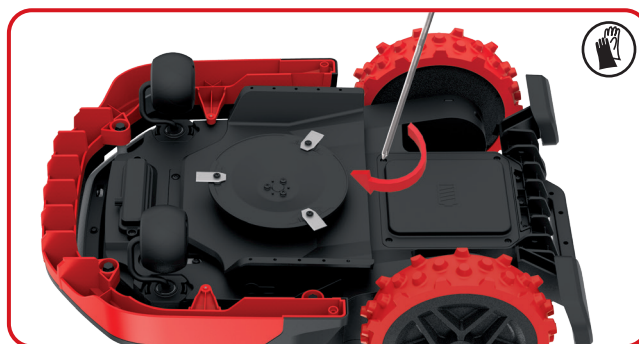
5. Åbn batteriboksen og træk derefter forsigtigt batteriet ud. Udsift det gamle batteri med det nye.



6. Sæt batteriboksen i igen, og tilslut stikkene.
Sæt metalpladen på igen.



7. Sæt dækslet tilbage på plads og spænd skruerne fast.




Fejlfinding

Hvis din Mission™ RTKⁿ ikke fungerer korrekt, skal du følge nedenstående vejledning til fejlfinding. Hvis fejlen fortsætter, skal du kontakte din forhandler.

Symptom	Årsag	Løsning
LED-lyset på ladestationen tænder ikke.	Der er ingen strøm.	Sørg for, at ladestationen er sluttet ordentligt til opladeren, og at opladeren er tilsluttet en passende strømforsyning.
Din Mission™ RTK ⁿ kører ikke rigtigt ind i ladestationen.	Magnetstrimlen sidder i den forkerte retning.	Se, om magnetstrimlen sidder i den rigtige retning. Magnetstrimlen sidder rigtigt, når den grønne stribe på magnetstrimlen vender væk fra ladestationen.
Maskinen løber tør for strøm, men den kører ikke tilbage til ladestationen.	Den virtuelle ladestation er ikke kortlagt.	Genopbyg kortet, og tilføj den virtuelle ladestation.
	Magnetstrimlen er under 2,5 meter lang.	Magnetstrimlen skal mindst være 2,5 meter lang.
Når din Mission™ RTK ⁿ kører ned ad bakke, kører den over grænsen.	Vinklen på grænsen er for skarp.	Prøv at undgå et layout med skarpe vinkler.
Din Mission™ RTK ⁿ er tændt, og der trykkes på startknappen, men den reagerer ikke.	Din Mission™ RTK ⁿ er uden for arbejdsområdet.	Flyt din Mission™ RTK ⁿ ind i arbejdsområdet.
	Dårligt placeringssignal	Find et åbent sted, vent på, at lysindikatoren til positioneringssignalet bliver grøn, og tryk derefter på startknappen.
Mission™ RTK ⁿ giver ikke alarm, når den befinder sig uden for geohegnet.	Softwaren på din Mission™ RTK ⁿ er ikke opdateret.	Opdater softwaren på din Mission™ RTK ⁿ .
	Din Mission™ RTK ⁿ er slukket.	Tænd din Mission™ RTK ⁿ .
Din Mission™ RTK ⁿ står midt på en forhindring.	Forhindringerne omkring din Mission™ RTK ⁿ er relativt små, men den kan stadig ikke køre udenom dem.	Indstil området, hvor din Mission™ RTK ⁿ let sætter sig fast, som et område, hvor den ikke må køre.
	Sensoren på din Mission™ RTK ⁿ virker ikke ordentligt.	Åbn diagnosesiden i appen til din Mission™ RTK ⁿ , og se sensorens status.
Logfilen kunne ikke læses.	Formatet på U-disken er ikke FAT32 .	Konverter formatet på U-disk til FAT32 .
Din Mission™ RTK ⁿ er parkeret rundt om væggen og kan ikke startes, og placeringsindikatoren lyser rødt.	Din Mission™ RTK ⁿ har været i skygge i for lang tid, og det har udløst sikkerhedsbeskyttelsesfunktionen.	Sørg for, at din Mission™ RTK ⁿ ikke klipper i skygge for længe.
	Der er for mange vægge eller træer i området, som blokerer placeringssignalet.	

Beskyttelse af miljøet

 Elektriske affaldsprodukter bør ikke bortskaffes sammen med husholdningsaffald. Afleverer venligst maskinen på genbrugsstationen. Kontakt din lokale myndighed eller forhandler for at få råd om genbrug.

Konformitetserklæring

Vi,
Positec Germany GmbH
Postfach 680194, 50704 Cologne, Germany

På vegne af Positec erklæres at produktet,
Beskrivelse **Robotplæneklipper**
Type **KR160E KR160E.A KR161E KR171E** (100-199- betegnelse for maskinen, der er repræsentativ for robotplæneklipperen) (År, artikelnummer og måned for serienummeret er anført på bagsiden. Det komplette serienummer er tydeligt angivet på plæneklipperens kabinet) med batterioplader KA0200 / KA0201 og opladestation KA0074
Funktion **Græsklipning**

Er i overensstemmelse med følgende direktiver,
2006/42/EC, 2014/30/EU, 2014/35/EU, 2011/65/EU&(EU)2015/863, 2000/14/EC ændret ved 2005/88/EC, 2014/53/EU

2000/14/EC ændret ved 2005/88/EC

- Procedure for vurdering af overensstemmelse i henhold til
- Målt Lydeffektniveau
- Erklæret garanteret lydeffektniveau

Annex V
55.5 dB (A)
59 dB (A)

116

DK

Standarderne er i overensstemmelse med,

Til plæneklipper: EN 50636-2-107:2015+A1:2018+A2:2020+A3:2021, EN 60335-1:2012+A11:2014+A13:2017+A1:2019+A2:2019+A14:2019+A15:2021, EN IEC 62311:2020, EN IEC 55014-1:2021, EN IEC 55014-2:2021, EN IEC 61000-3-2:2019+A1:2021, EN 61000-3-3:2013+A1:2019+A2:2021

Til ultrasonisk modul: EN 55011: 2016+A11:2020

Til 4G- + GPS-modul: EN 301 489-1 V2.2.3, EN 301 489-19 V2.1.1, EN 301 489-52 V1.2.1, EN 301 511 V12.5.1, EN 301 908-1 V15.0.1, EN 301 908-13 V13.1.1, EN 303 413 V1.2.1

Til oplader: EN IEC 55014-1:2021, EN IEC 55014-2:2021, EN IEC 61000-3-2:2019+A1:2021, EN 61000-3-3:2013+A1:2019+A2:2021, EN IEC 60335-2-29:2021+A1:2021, EN 60335-1:2012+A11:2014+A13:2017+A1:2019+A2:2019+A14:2019+A15:2021, EN 62233:2008

Til støj: EN ISO 3744:1995

Til RoHS: EN IEC 63000:2018

Personen, autoriseret til at udarbejde den tekniske fil,

Navn **Marcel Filz**

Adresse **Positec Germany GmbH Postfach 680194, 50704 Cologne, Germany**



2024/02/28

Allen Ding

Vicechef; Ingeniør, Test & Certificering

Positec Technology (China) Co., Ltd.

18, Dongwang Road, Suzhou Industrial

Park, Jiangsu 215123, P. R. China

Produktsikkerhet

Generelle og spesifikke sikkerhetsadvarsler



ADVARSEL Les gjennom alle

advarslene og alle anvisningene. Hvis advarslene og anvisningene ikke følges, kan det forårsake elektriske støt, brann og/eller alvorlige skader.

Les nøye gjennom anvisningene for trygg bruk av maskinen.

Ta vare på alle advarsler og anvisninger slik at du kan lese dem senere.

- Dette produktet er ikke ment for bruk av personer (også barn) med begrensede fysiske, sensoriske eller mentale funksjonsevner, eller som mangler erfaring eller kunnskaper, hvis de ikke blir passet på eller har fått opplæring i bruk av produktet av en person som er ansvarlig for deres sikkerhet.
- Barn bør holdes under oppsyn for å være sikker på at de ikke leker med produktet.
- Batteriet i denne enheten kan bare byttes ut av dyktig personell.
ADVARSEL: For å lade batteriet, bruk bare den flyttbare strømforsyningsenheten som følger med enheten.

VIKTIG!

LES NØYE FØR BRUK

TA VARE PÅ TIL SENERE BRUK

Rutiner for trygg bruk Opplæring

- a) Les nøye gjennom anvisningene. Vær sikker på at du forstår anvisningene, og er fortrolig med knappene og hvordan produktet skal brukes på riktig måte.
- b) Ikke la personer som ikke kjenner anvisningene, eller barn, bruke produktet. Lokale bestemmelser kan angi aldersgrense for bruk.
- c) Brukeren er ansvarlig for ulykker eller fare andre personer utsettes for, på sin eiendom.

Forberedelser

- a) Bekreft at den virtuelle grensen er opprettet etter instruksene og at den virtuelle grensen vedlikeholdes regelmessig. Før hver arbeidssyklus går maskinen rundt

arbeidsområdet for å sjekke om den virtuelle grensen eksisterer, hvis den ikke eksisterer, vil maskinen slå seg av. Den virtuelle grensen definerer arbeidsområdet der maskinen har lov til å arbeide. RTK-antennen i maskinen registrerer når den nærmer seg den virtuelle grensen. Når maskinen treffer en hindring eller nærmer seg den virtuelle grensen, velger produktet en ny retning.

- b) Foreta jevnlig inspeksjoner av området der produktet skal brukes, og fjern alle steiner, pinner, ledninger, bein og andre fremmedlegemer.
- c) Se etter skader eller slitasje på bladene, bladskruene og kuttemontering med jevne mellomrom. Bytt ut hele settene av slitte eller skadde blader og skruer for å sikre at de er balansert.
- d) Multispindelprodukter bør håndteres forsiktig, fordi et roterende blad kan få andre blader til å rotere.
- e) **ADVARSEL** Produktet skal aldri brukes med defekt beskyttelse, eller uten sikkerhetsenheter.

Bruk

1. Generelt

- a) Produktet skal aldri brukes med defekt beskyttelse, eller uten sikkerhetsenheter som for eksempel deflektorer, på plass.
- b) Hender og føtter skal ikke komme nær eller under roterende deler. Aldri kom nær utslippsåpningen.
- c) Aldri løft eller bær et apparat med motoren i gang.
- d) Bruk deaktiveringssenheten på maskinen
 - før noe som blokkerer fjernes;
 - før du kontrollerer, renser eller arbeider med apparatet;
 - Inspisere maskinen for skade etter den har truffet et fremmedlegeme;
 - Se etter skader før maskinen startes på nytt hvis den begynner å vibrere unormalt.
- e) Det er ikke tillatt å endre på originalutformingen av robotgressklipperen. Alle endringer gjøres på egen risiko.
- f) Start robotgressklipperen iht. anvisningene. Når strømmen er på, må du holde hender og føtter borte fra de roterende bladene. Du må aldri ha hender eller føtter under gressklipperen.
- g) Løft aldri opp robotgressklipperen eller bær den når strømmen er på.
- h) Personer som ikke vet hvordan robotgressklipperen fungerer eller virker, skal

ikke bruke den.

- i) Ikke legg noe på toppen av robotgressklipperen eller ladestasjonen.
- j) Robotgressklipperen skal ikke brukes hvis bladskive eller konstruksjon er defekt. Den bør heller ikke brukes hvis blader, skruer, muttere eller kabler er skadet.
- k) Slå alltid av robotgressklipperen med hovedbryteren når du ikke skal bruke den. Robotgressklipperen kan bare starte når strømmen er på og riktig PIN-kode er angitt.
- l) Hold hender og føtter vekke fra roterende blader. Plasser aldri hendene eller føttene nærme eller under kroppen når robotgressklipperen er i drift.
- m) Unngå å bruke maskinen og utstyret under dårlige værforhold, spesielt om det finnes risiko for lyn.
- n) Ikke rør farlige bevegelige deler før de har stanset helt opp.
- o) For maskiner som brukes i fellesområder, skal advarselskiltene plasseres rundt arbeidsområdet av maskin. De skal vise innholdet i følgende tekst:
Advarsel! Automatisk gressklipper! Hold deg vekk fra maskinen! Overvåke barn!
- p) For å unngå risikoen for skade, vennligst stopp gressklipperen og bær den til en annen plen som skal klippes. Dra eller trekk aldri gressklipperen under drift når du bytter plenen som skal klippes.

2. I tillegg, når produktet går automatisk

- a) Ikke la maskinen gå uten oppsyn hvis du vet at det er kjæledyr, barn eller andre personer i nærheten.

Vedlikehold og lagring



ADVARSEL! Når klipperen er snudd på hodet, må strømmen alltid være slått av.

Strømmen skal være slått av under alt arbeid på klipperen under rammen, for eksempel rengjøring eller bytte av kniver.

- a) Pass på at alle muttere, bolter og skruer er godt festet slik at produktet kan brukes på en trygg måte.
- b) Sjekk robotgressklipperen hver uke og bytt ut slitte eller skadde deler, av sikkerhetshensyn.
- c) Spesielt bladene og bladskiven må sjekkes for skader. Bytt om nødvendig ut alle blader og skruer samtidig, slik at de roterende delene er balansert.
- d) Kontroller at det bare brukes kuttedeler av riktig type.
- e) Kontroller at batteriet lades med riktig lader

anbefalt av produsenten. Feil bruk kan føre til elektrisk støt, overoppheting eller lekkasje av etsende væske fra batteriet.

- f) Hvis elektrolytt lekker ut, skyl med vann/nøytraliserende middel, og oppsøk lege hvis det kommer i kontakt med øynene, osv.
- g) Service på produktet skal foretas i henhold til produsentens anvisninger.

Anbefaling

Å koble maskinen og/eller utstyret kun til en strømforsyning som er beskyttet med en jordfeilbryter (RCD) som slår ut ved strøm på mer enn 30 mA.

Restrisiko

For å unngå skade brukes vernehansker når knivene skiftes.

Transport

Bruk originalemballasjen når robotgressklipperen skal fraktes over lengre avstander. Slik beveger du deg trygt fra eller innenfor arbeidsområdet:

- a) Trykk på STOP-tasten for å stoppe gressklipperen.
Du velger en firesifret PIN-kode når du starter gressklipperen første gang.
- b) Slå alltid av robotgressklipperen hvis den skal bæres.
- c) Gressklipperen skal bæres ved å holde i håndtaket på fronten av den. Bær gressklipperen med bladskiven pekende vekk fra kroppen.

RF eksponeringskrav

For å tilfredsstille RF-eksponeringskrav, bør en separasjonsavstand på 200mm eller mer opprettholdes mellom denne enheten og personer under enhetsoperasjon. For å sikre overholdelse anbefales ikke operasjoner på nærmere enn denne avstanden. Antennen som brukes til denne senderen, må ikke plasseres sammen med andre antenner eller sendere.

Dette er et apparat i klasse III som kun skal forsynes med ekstra lav spenning tilsvarende merkingen på apparatet.

Sikkerhetsadvarsler for batteripakke inne i verktøyet

- a) Ikke demonter, åpne eller riv opp sekundære celler eller batteripakker.
- b) Ikke kortslutt en celle eller en

batteripakke. Ikke oppbevar celler eller batteripakke løst i en boks eller skuff hvor de kan kortslutte hverandre eller bli kortsluttet av andre metallgjenstander.

Når batteripakken ikke er i bruk skal den holdes adskilt fra andre metallgjenstander som binders, mynter, nøkler, spiker, skruer eller andre små metallobjekter. Kortslutning av batteriet kan forårsake skader eller brann.

- c) **Ikke utsett celler eller batteripakke for varme eller ild. Unngå oppbevaring i direkte sollys.**
- d) **Ikke utsett celler eller batteripakke for mekanisk støt.**
- e) **Hvis du opplever cellelekkasje, ikke la væsken komme i kontakt med huden eller øynene. Dersom kontakt har oppstått, vask området med rikelige mengder vann og oppsøk medisinsk hjelp.**
- f) **Hold batteripakken ren og tørr.**
- g) **Bruk kun batterilader spesifisert av Kress. Bruk ikke andre ladere enn de som er levert for bruk med utstyret.**
- h) **Ikke bruk batteripakker som ikke er beregnet for bruk sammen med utstyret.**
- i) **Hold batteripakken utenfor barns rekkevidde.**
- j) **Ta vare på den originale bruksanvisningen for fremtidig bruk**
- k) **Kvitt deg med produktet på forsvarlig måte.**
- l) **Ikke bland batterier av forskjellig produksjon, kapasitet, størrelse eller type i enheten.**
- m) **Hold batteriet unna mikrobølger og høyt trykk.**
- n) **Advarsel! Ikke bruk ikke-oppladbare batterier.**

Brukerhåndboks krav for trådløst produkt

- a) Bruk av denne enheten er underlagt følgende to betingelser:
 - (1) Denne enheten kan ikke forårsake skadelig interferens, og
 - (2) denne enheten må akseptere all interferens som mottas, inkludert interferens som kan forårsake uønsket drift.
- b) Forsiktig: Endringer eller modifikasjoner av denne enheten som ikke er uttrykkelig godkjent av parten som er ansvarlig for samsvar, kan ugyldiggjøre brukerens rett til å bruke utstyret.
- c) MERK: Dette utstyret genererer, bruker og kan utstråle radiofrekvensenergi, og hvis det ikke installeres og brukes i samsvar med

instruksjonene, kan det forårsake skadelig interferens for radiokommunikasjon. Det er imidlertid ingen garanti for at interferens ikke vil oppstå i en bestemt installasjon. Hvis dette utstyret forårsaker skadelig interferens for radioeller TV-mottak, noe som kan fastslås ved å slå utstyret av og på, oppfordres brukeren til å prøve å korrigere interferensen med ett eller flere av følgende tiltak:

- Reorienter eller flytt mottakerantennen.
- Øk avstanden mellom utstyret og mottakeren.
- Koble utstyret til en stikkontakt på en annen krets enn den mottakeren er koblet til.
- Konsulter forhandleren eller en erfaren radio/ TV-tekniker for å få hjelp.

Symboler



ADVARSEL – robotgressklippere kan være farlige hvis de brukes på feil måte.

Les nøye gjennom bruksanvisningen og pass på at du forstår innholdet før du bruker robotgressklipperen.



ADVARSEL - hold deg på god avstand fra maskinen når du bruker den.



ADVARSEL – Slå gressklipperen av før du utfører arbeide på eller løfter maskinen.



ADVARSEL – ikke ri på maskinen.



Hvis det ikke håndteres på riktig måte, kan batteriet komme inn i vannsyklusen, noe som kan forårsake skade på økosystemet. Ikke kast brukte batterier som usortert kommunalt avfall.



Ikke vask maskinen med en høytrykksspyler



Les bruksanvisningen



Avtakbar forsyningsenhet

120

NOR



Klasse III apparat



Avfall etter elektriske produkter må ikke legges sammen med husholdningsavfall. Vennligst resirkuler avfallet der dette finnes. Undersøk hos de lokale myndighetene eller en detaljist for resirkuleringsråd.



Li-Ion

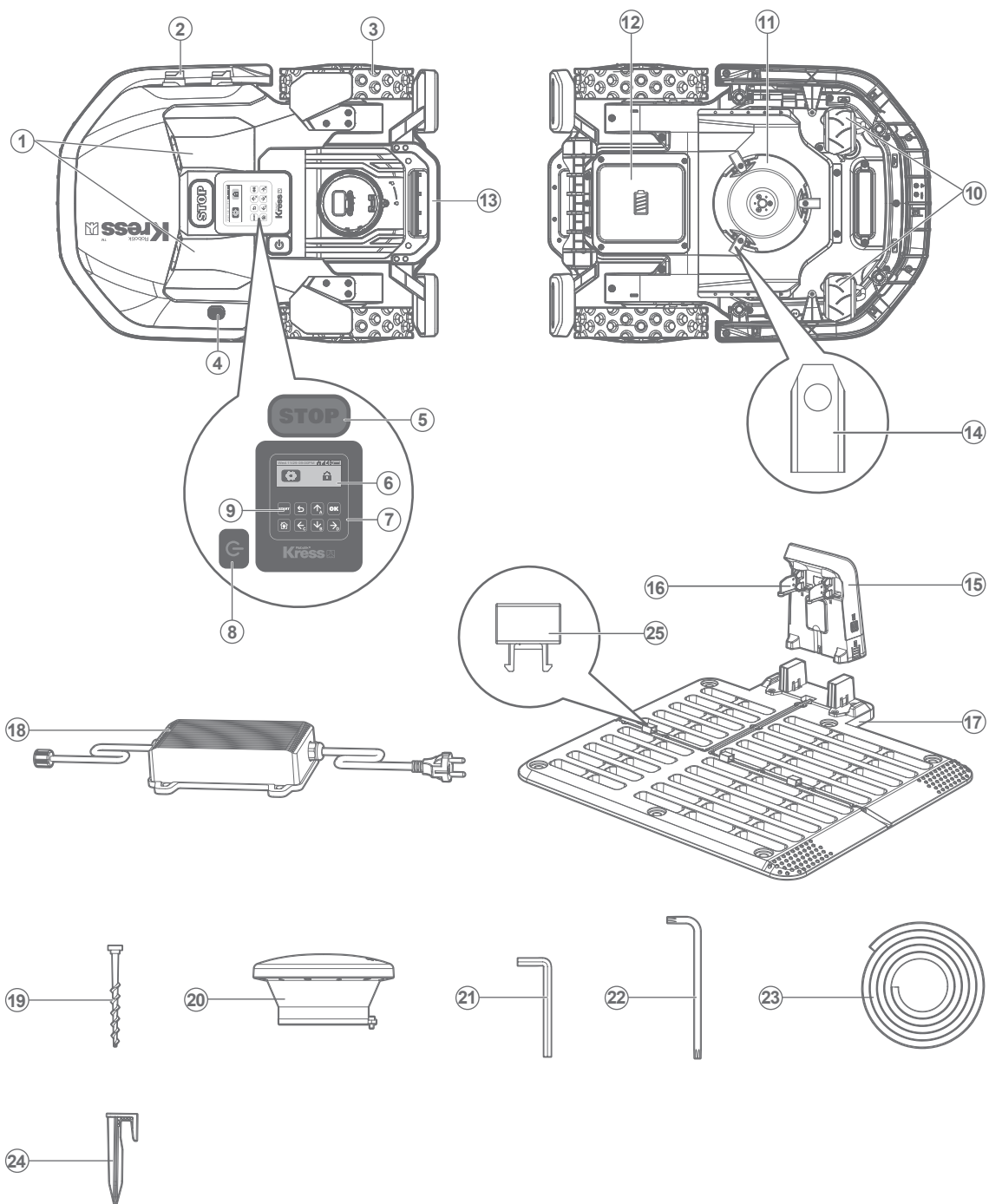


Litiumionbatteri Som er merket med symbolene knyttet til "separat samling" av alle batteripakker og batteripakker. Det blir deretter resirkulert eller fjernet for å redusere miljøbelastningen. Batteripakken kan være skadelig for miljøet og menneskers helse fordi det inneholder skadelige stoffer.



Må ikke brennes.

Komponentenliste



- | | |
|--|--------------------------------|
| 1. Ultralydsensor (Kun for KR160E.A, KR161E, KR171E) | 14. Skjæreblad |
| 2. Ladestripen | 15. Ladestabel |
| 3. Bakre Førerhjul | 16. Kontaktpinner |
| 4. Regnsensor | 17. Ladebase |
| 5. STOPP-tast | 18. Strømadapter |
| 6. Visning | 19. Festespiker For Ladebasen |
| 7. Tastatur | 20. RTK-antenne |
| 8. På / Av Bryter | 21. Sekskantnøkkel |
| 9. START-tast | 22. Skrunøkkel for RTK-antenne |
| 10. Forhjul | 23. Magnetstripen |
| 11. Bladesvinge | 24. Stifter |
| 12. Batteri pakke * | 25. Spenne |
| 13. Håndtak | |

* Illustrert eller beskrevet tilbehør inngår delvis ikke i leveransen.

Tekniske Data

Type **KR160E KR160E.A KR161E KR171E** (100-199 - typebetegnelse til maskin, Robot-gressklipper)

122

NOR

	KR160E	KR160E.A	KR161E	KR171E
Merkespenning	20V \equiv Max.*			
Hastighet uten belastning	2700/min			
Kutteområde **	600 m ²		1000 m ²	1500 m ²
Skjærediameter	20c m			
Klippehøyde	30-60 mm			
Klippehøydeposisjoner	7			
Batteri type	Litium-ion			
Batteri modell	KA3024			
Ladings tid ca.	180 min			
Lade modell	KA0200 / KA0201			
Lade vurdering	Wejściowa: 100-240 V~50/60 Hz, 38 W, Wyjściowa: 20 V, 1.5 A			
Maskinens vekt	12 kg	12.2 kg		
Beskyttelsesklasse	III			
App	Y			
Maksimal skråning innenfor arbeidsflaten	40%			

* Spenning målt uten belastning. Batterispenningen er 20 V til å begynne med. Nominell spenning er 18 V.

** Den totale klippearealet innenfor alle aktive forhåndsinnstillinger bør ikke overstige den anbefalte

områdestørrelsen. Det overskredne området kan ikke tildeles gressklipperen.

Tekniske data for antenne

Nominell spenning	5V±2%		
Driftstemperatur	-40°C~85°C		
Lagringstemperatur	-40°C~85°C		
Bånd	Tx(Mhz)	Rx(Mhz)	RF-utgangseffekt (maks.)
GSM900(B8)	880-915	925-960	33dBm
DCS1800(B3)	1710-1785	1805-1880	30dBm
WCDMA B1	1920-1980	2110-2170	24dBm
WCDMA B8	880-915	925-960	24dBm
LTE-FDD B1	1920-1980	2110-2170	23dBm
LTE-FDD B3	1710-1785	1805-1880	23dBm
LTE-FDD B7	2500-2570	2620-2690	23dBm
LTE-FDD B8	880-915	925-960	23dBm
LTE-FDD B20	832-862	791-821	23dBm
LTE-FDD B28	703-748	758-803	23dBm
LTE-TDD B38	2570-2620	2570-2620	23dBm
LTE-TDD B40	2300-2400	2300-2400	23dBm

123
NOR

Tekniske data for 4G-GPS

4G-modul -GNSS	GNSS GPS Band L1	1575.42+/-1.023
	Calileo Band E1	1575.42+/-1.023
	BDS Band E11	1561.098+/-2.046
	GLONASS Band G1	1579.5~1605.8

Støyinformasjon

	KR160E KR160E.A KR161E KR171E
Belastning lydtrykk	$L_{pA} = 47.5 \text{ dB (A)}, K_{pA} = 3.0 \text{ dB(A)}$
Belastning lydeffekt	$L_{wA} = 55.5 \text{ dB (A)}, K_{wA} = 3.0 \text{ dB(A)}$

En viss grad av støy fra maskinen er uungåelig. Støyende arbeide må godkjennes og begrenses til visse perioder. Overhold hvileperiode, og begrens arbeidstid til et minimum. For personlig beskyttelse og beskyttelse for mennesker som arbeider i nærheten, må passende hørselsvern benyttes.

Tilleggsutstyr

	KR160E	KR160E.A	KR161E	KR171E
Skruer til å feste blader	9	9	9	9
Ladestasjon	1	1	1	1
Festeskruer til ladestasjonen	6	6	6	6
Sekskantnøkkel	1	1	1	1
Skrunøkkel for RTK-antenne	1	1	1	1
Magnetstripe	1	1	1	1
Måleapparat	2	2	2	2
Blader	9	9	9	9
RTK-antenne	1	1	1	1
Stifter	16	16	16	16
124 Batteripakke (KA3024)	1	1	1	1
NOR Lader (KA0200/KA0201)	1	1	1	1

Vi anbefaler at du kjøper alt ekstrautstyr fra butikken der du kjøpte dette verktøyet. Henviser til tilbehørspakningen for videre detaljer. Butikkpersonalet kan også gi hjelp og råd.

Formålsmessig bruk

Dette produktet er beregnet for gressklipping på private eiendommer. Den er konstruert for å klippe plenen regelmessig, slik at du får en penere plen en noen gang før. Avhengig av hvor stor plenen er, kan du programmere Mission™ RTKⁿ til å arbeide når som helst eller med jevne mellomrom. Den er ikke ment for graving, feiing eller snørydding.

Vedlikehold

Mission™ RTKⁿ bør sjekkes av og til. Mission™ RTKⁿ jobber hardt, og over tid trenger den en skikkelig rengjøring, og deler må byttes når de er slitt. Bruk aldri Mission™ RTKⁿ din med ødelagt På/av-bryter. Slå av maskinen for å utføre enhver type av service eller vedlikehold. Nedenfor skal vi forklare hvordan du tar vare på din Mission™ RTKⁿ.

1

Hold den skarp

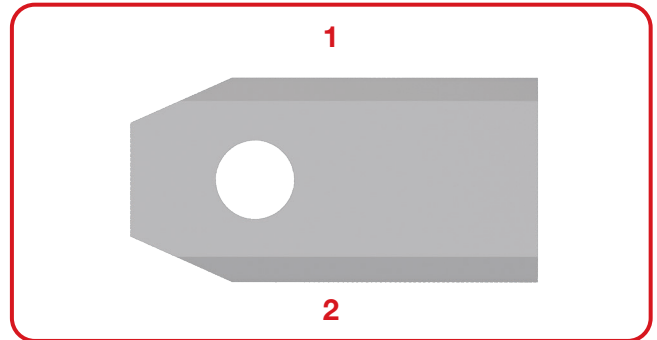


ADVARSEL: Før rengjøring, justering eller bytting av blader må du slå din Mission™ RTKⁿ AV, og du må bruke beskyttelseshansker.



ADVARSEL: Ved utskifting av knivene må **ALLE** knivene skiftes. Bruk alltid nye skruer når du monterer blader. Dette er viktig for å sikre sammenslåingen av bladene og balansen på rotasjonsplaten. Hvis det ikke brukes nye skruer kan det forårsake alvorlig personskade.

Mission™ RTKⁿ Kan ikke klippe gress som andre gressklippere. Skjærebladet til dette produktet er veldig skarpt på alle 2 kanter og kan roteres i begge retninger for å oppnå maksimal skjærekapasitet. Redesignet bladprofil forhindrer bedre at klippet gress setter seg fast i åpningen mellom skiven og bladet. Med nytt materiale vil også levetiden til hvert skjæreblad være lengre enn for bladene til andre merker når den er programmert til å klippe hver dag. Sjekk alltid kniven for sprekker eller skader, og erstatt i så fall kniven. Når skjærebladet blir sløvt og slitt, bør det byttes ut med reservebladet som følger med Mission™ RTKⁿ. En Kress-forhandler i nærheten av deg kan også skaffe ekstra kniver.



A. Erstatt bladene

Vanligvis må bladene på Mission™ RTKⁿ reverseres hver måned og skiftes ut hver uke. Du kan justere frekvensen for bladutskifting i henhold til klippekvaliteten for plenen. Derfor må du bytte alle bladene samtidig. Du kan erstatte dem med et av de ekstra bladsettene og bladskruesettene som fulgte med Mission™ RTKⁿ.

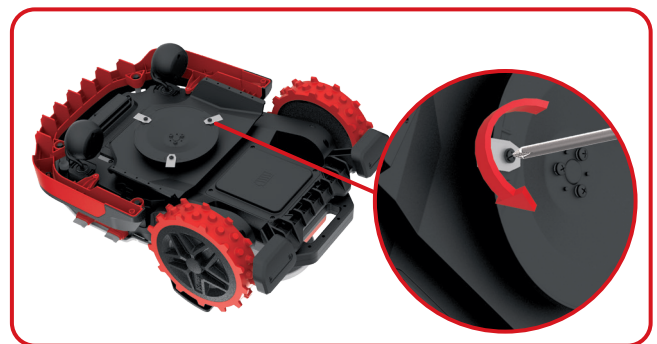
125

NOR

Før du begynner å skifte ut Mission™ RTKⁿ s kniver, skru av strømmen og ta på deg beskyttelseshansker. Deretter følger du følgende trinn:

1. Snu Mission™ RTKⁿ forsiktig rundt.
2. Fjern batteridekselet og ta ut batteriet.
3. Ta skruene av knivene med en skrutrekker
4. Skru de nye bladene godt fast.
5. Sett inn batteriet og batteridekslet.

Viktig: Etter at bladene er skrudd fast i bladskiven, må du sjekke at bladene roterer fritt.



2

Hold den ren



ADVARSEL: Slå AV din Mission™ RTKⁿ før rengjøring. Ta på deg beskyttelseshansker før du rengjør bladskiven, og unngå bruk av rennende vann.



ADVARSEL! DIN Mission™ RTKⁿ kan bare rengjøres med en slange! IKKE bruk høytrykkspyler på Mission™ RTKⁿ. Vann med høyt trykk kan komme inn i tetningens indre og skade elektroniske og mekaniske deler.

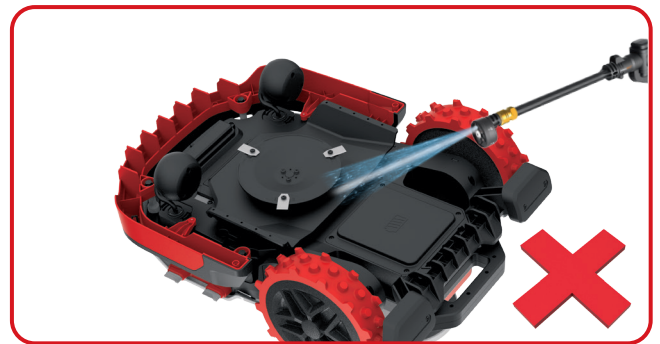
A. Rengjør kroppen

Hvis det rengjøres regelmessig, vil Mission™ RTKⁿ være mer holdbart og vare lenger. Siden Mission™ RTKⁿ er en motor, må du være forsiktig når du rengjør den. Rengjøring av støpeslangen. Det er best å bruke en sprayflaske med vann. Når du rengjør maskinen utvendig bør du bruke en myk børste eller en ren klut og unngå bruk av løsemidler eller poleringsmidler. Og pass til slutt på at du fjerner alt gress og rusk.

B. Vaske undersiden av maskinen

Også nå er det viktig å slå av **Mission™ RTKⁿ** og ta på beskyttelseshansker før man rører bladskiven.

Først, vend din Mission™ RTKⁿ opp-ned for å komme til på undersiden. Her ser du bladskiven, motorrammehuset rundt, samt forhjul og drivhjul. Rengjør alt grundig med en myk børste eller fuktig klut. Støtt rengjøring av slangevann.

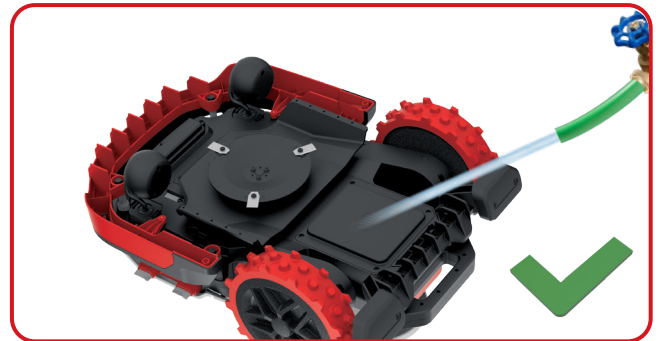


126

Roter bladskiven for å sikre at den roterer fritt. Sjekk at bladene spinner fritt rundt festeskruene. Fjern eventuelle hindringer.

NOR

VIKTIG: Fjern avfall som har kilt seg fast slik at det ikke forårsaker hakk i bladskiven. Selv små hakk kan forringe Mission™ RTKⁿ s klippegenskaper.



C. Rengjør kontaktpunktene og ladestripene

Rengjør kontaktpinnen på ladebasen og ladestripen på Mission™ RTKⁿ med en klut. Fjern all oppsamling av klippet gras og avfall rundt kontaktpinnene og ladestripene med jevne mellomrom for å sikre at Mission™ RTKⁿ lades opp hver gang.

3

Batterilevetid

Hjertet i Mission™ RTKⁿ er litium-ionbatteriet på 20V. Riktig oppbevaring av batteriet innebærer at det er fulladet og settes på et tørt sted med en temperatur mellom -20°C~+60°C.

MERK: Den anbefalte brukstemperaturen for Mission™ RTKⁿ er mellom 0°C - 55°C.

Levetiden til Mission™ RTKⁿ s batteri avhenger av forskjellige faktorer, som for eksempel:

- hvor lang klippesesongen er der du bor
- hvor mange timer Mission™ RTKⁿ klipper per dag
- hvordan batteriet behandles under lagring

Mission™ RTKⁿ kan lades manuelt.

1. Koble ladebasen til en passende strømkilde. Det grønne lyset på ladestasjonen vil slås på.
2. Forankre Mission™ RTKⁿ manuelt i ladebasen mens Mission™ RTKⁿ er slått av.
3. Lampen på ladebasen blinker grønt, Mission™ RTKⁿ vil starte å lade.



4

Vinterdvale

Mission™ RTKⁿ får lengre levetid og fungerer bedre hvis den får gå i dvale om vinteren. Så selv om det er tøft, anbefaler vi at du lagrer Mission™ RTKⁿ i uteboden eller garasjen om vinteren.

Før du lagrer Mission™ RTKⁿ for vinteren, må du huske følgende:

- Rengjør Mission™ RTKⁿ skikkelig.
- Lad batteriet helt opp.
- Slå av strømmen.

For å maksimere batteriets levetid, må du lade batteriet helt før du lagrer det om vinteren.

⚠ ADVARSEL: Beskytt undersiden av Mission™ RTKⁿ-en mot vann. Lagre ALDRI Mission™ RTKⁿ opp-ned utendørs.

MERK: Forsikre deg om at ladestangen og kontaktpinnene er rene når du gjør Mission™ RTKⁿ for å gjenoppta arbeidet etter dvalemodus. Vi anbefaler at du bruker en smerteduk av høy kvalitet for å rengjøre kontaktene. Bruk appen, sørg for at datoen og klokkeslettet er riktig, og send deretter Mission™ RTKⁿ tilbake til det den liker å gjøre: klipping.

5

Bytt ut batteriet

⚠ ADVARSEL: Slå av maskinen før du justerer, bytter eller reparerer noe som helst.

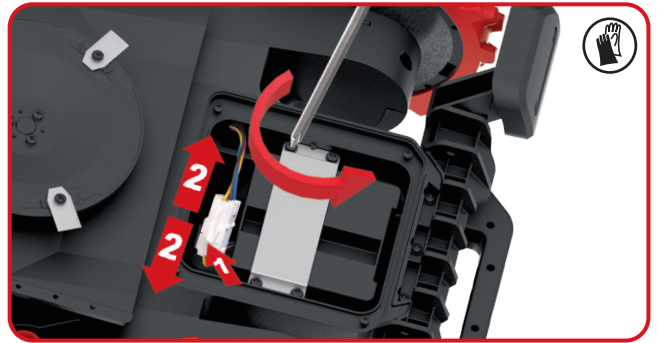
Før bytting av blader må du slå din Mission™ RTKⁿ AV, og du må bruke beskyttelseshansker.

Følg disse trinnene hvis du må bytte batteriet:

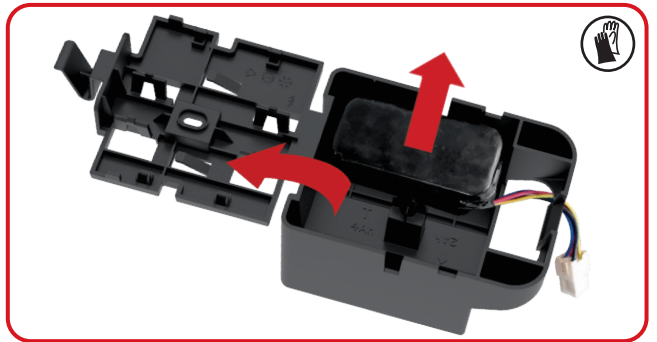
1. Snu Mission™ RTKⁿ forsiktig opp-ned.
2. Fjern de skruene fra batteriet. Ta av batteridekselet.



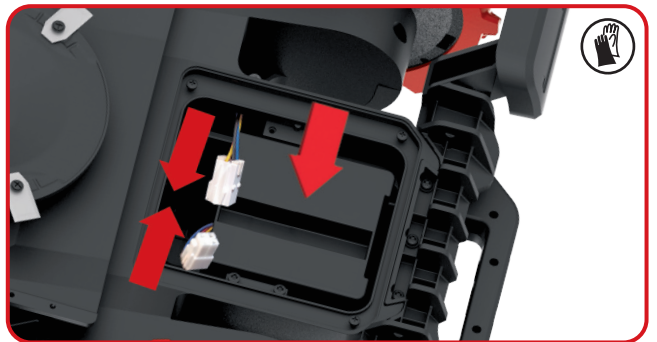
3. Ta av skruene på metallplaten.
Ta av metallplaten.
4. Trykk på låsen og frigjør kontaktene som vist på bildet. Løft forsiktig ut batteriboksen.
OBS: Ikke trekk i ledningene. Hold kontaktene og frigjør låsen.



5. Åpne batteriboksen og løft så forsiktig ut batteriet. Bytt ut det gamle batteriet med det nye.



6. Sett batteriboksen tilbake der den stod og plugg inn kontaktene. Sett metallplaten på plass.



7. Sett dekselet tilbake på plass og fest skruene godt.




Feilsøking

Hvis Mission™ RTKⁿ ikke fungerer som den skal, kan du bruke veiviseren for feilsøking nedenfor. Hvis problemet ikke løses, tar du kontakt med forhandleren.

Symptom	Årsak	Løsning
LED-lyset på ladebasen har ikke slått seg på.	Det er ingen strøm.	Kontroller at ladebasen er riktig koblet til laderen og at laderen er koblet til en passende strømforsyning.
Mission™ RTK ⁿ kan ikke dokke korrekt med ladebasen.	Magnetstripen er plassert i feil retning.	Undersøk om magnetstripen er plassert i feil retning. Hvis den er plassert riktig, er den grønne stripen på magnetstripen vendt bort fra ladebasen.
Maskinen går tom for strøm, men vender ikke tilbake til ladebasen.	Ingen virtuell ladebase er kartlagt.	Bygg opp igjen kartet og legg til den virtuelle ladebasen.
	Lengden på magnetstripen er mindre enn 2,5 m.	Lengden på magnetstripen bør garantert være større enn 2,5 m.
Når Mission™ RTK ⁿ går nedover, overskrider den grenselinjen.	Vinkelen på grenselinjen er svært spiss.	Prøv å unngå layoutscenarier med spisse vinkler.
Etter at Mission™ RTK ⁿ er slått på, trykkes startknappen, men Mission™ RTK ⁿ fungerer ikke.	Mission™ RTK ⁿ er utenfor arbeidsområdet.	Flytt Mission™ RTK ⁿ inn i arbeidsområdet.
	Dårlig posisjoneringssignal	Finn en åpen plass, vent til posisjoneringssignallyset blir grønt, og trykk deretter på startknappen.
Mission™ RTK ⁿ gir ikke alarm når den er utenfor Geo-gjerdet.	Programvaren til Mission™ RTK ⁿ er ikke den nyeste.	Oppdater programvaren til Mission™ RTK ⁿ .
	Mission™ RTK ⁿ er slått av.	Slå Mission™ RTK ⁿ på.
Mission™ RTK ⁿ er parkert midt i hinderet.	Hindringene rundt Mission™ RTK ⁿ er relativt små, og Mission™ RTK ⁿ klarer ikke å komme seg ut av problemet.	Angi området der Mission™ RTK ⁿ lett stopper som forbudt område.
	Sensoren på Mission™ RTK ⁿ er unormal	Bli kjent med Mission™ RTK ⁿ 's diagnoseside på APP og sjekk sensorstatus.
Kan ikke lese loggen	Formatet til U-disk er ikke FAT32 .	Konverter formatet på U-disk til FAT32 .
Mission™ RTK ⁿ er parkert rundt vegg og kan ikke startes, og posisjoneringsslyset lyser alltid rødt.	Mission™ RTK ⁿ arbeider for lenge i skyggeområdet, og utløser sikkerhetsbeskyttelsen.	Prøv å unngå å la Mission™ RTK ⁿ klippe i områder med for mye skygge.
	Det er for mange vegger eller trær i området som blokkerer posisjoneringssignalet	

Miljøverntiltak

 Avfall etter elektriske produkter må ikke legges sammen med husholdningsavfall. Vennligst resirkuler avfallet der dette finnes. Undersøk hos de lokale myndighetene eller en detaljist for resirkuleringsråd.

Samsvarserklæring

Vi,
Positec Germany GmbH
Postfach 680194, 50704 Cologne, Germany

På vegne av Positec erklær at produktet,
Beskrivelse **Robot-gressklipper**
Type **KR160E KR160E.A KR161E KR171E** (100-199- typebetegnelse til maskin, Robot-gressklipper)(År, artikkelnummer og måned for serienummer er plassert på siste side. Det fullstendige serienummeret vises tydelig på vedlegget til gressklipperen) med batterilader KA0200 / KA0201 og ladebase KA0074
Funksjon **Gressklipping**

Samsvarer med følgende direktiver,
2006/42/EC, 2014/30/EU, 2014/35/EU, 2011/65/EU&(EU)2015/863, 2000/14/EC revidert ved 2005/88/EC, 2014/53/EU

2000/14/EC revidert ved 2005/88/EC
- Tilpassningsbedømmelse Utført ifølge
- Målt Lydkraftniv
- Erklært Garantert Lydkraftniv

Annex V
55.5 dB (A)
59 dB (A)

Standardene samsvarer med,

For gressklipper: EN 50636-2-107:2015+A1:2018+A2:2020+A3:2021, EN 60335-1:2012+A11:2014+A13:2017+A1:2019+A2:2019+A14:2019+A15:2021, EN IEC 62311:2020, EN IEC 55014-1:2021, EN IEC 55014-2:2021, EN IEC 61000-3-2:2019+A1:2021, EN 61000-3-3:2013+A1:2019+A2:2021

For ultrasonisk modul: EN 55011: 2016+A11:2020

For 4G+GPS-modul: EN 301 489-1 V2.2.3, EN 301 489-19 V2.1.1, EN 301 489-52 V1.2.1, EN 301 511 V12.5.1, EN 301 908-1 V15.0.1, EN 301 908-13 V13.1.1, EN 303 413 V1.2.1

For lader: EN IEC 55014-1:2021, EN IEC 55014-2:2021, EN IEC 61000-3-2:2019+A1:2021, EN 61000-3-3:2013+A1:2019+A2:2021, EN IEC 60335-2-29:2021+A1:2021, EN 60335-1:2012+A11:2014+A13:2017+A1:2019+A2:2019+A14:2019+A15:2021, EN 62233:2008

For støy: EN ISO 3744:1995

For RoHS: EN IEC 63000:2018

Personen som er autorisert til å utarbeide den tekniske filen,

Navn **Marcel Filz**

Adresse **Positec Germany GmbH Postfach 680194, 50704 Cologne, Germany**

2024/02/28

Allen Ding

Visesjefsingeniør, Testing og Sertifisering

Positec Technology (China) Co., Ltd.

18, Dongwang Road, Suzhou Industrial

Park, Jiangsu 215123, P. R. China

130

NOR

Användare kan se de elektroniska bruksanvisningarna på <https://www.kress.com/en/>.

Produktsäkerhet

Allmänna & specifika säkerhetsinstruktioner



WARNING Läs igenom alla varningar och säkerhetsinstruktioner. Underlåtelse att beakta varningar och säkerhetsinstruktioner kan leda till elstöt, brand och/eller allvarlig personskada.

Läs noga igenom instruktionerna för att kunna använda enheten på ett säkert sätt. Spara alla varningar och säkerhetsinstruktioner för framtida referens.

- Denna apparat är inte avsedd att användas av personer (inklusive barn) med nedsatt fysisk, sensorisk eller mental förmåga, eller bristande erfarenhet och kunskap, såvida de inte har fått instruktioner om hur apparaten används eller övervakas av en person som ansvarar för deras säkerhet.
- Barn måste övervakas för att säkerställa att de inte leker med apparaten.
- Batteriet i denna enhet kan endast bytas ut av skicklig personal.
WARNING: För att ladda batteriet, använd endast den avtagbara strömförsörjningsenheten som medföljer enheten.

VIKTIGT LÄS NOGA FÖRE ANVÄNDNING SPARA FÖR FRAMTIDA REFERENS

Säker användningspraxis Utbildning

- Läs noga igenom bruksanvisningen. Se till att du har förstått instruktionerna och sätt dig in i kontrollerna och hur man använder enheten på rätt sätt.
- Låt aldrig barn eller personer som inte satt sig in i dessa instruktioner använda enheten. Det kan finnas lokala bestämmelser med åldersgräns för operatören.
- Operatören eller användaren ansvarar för olyckor eller faror som drabbar andra personer eller deras egendom.

Förberedelser

- Bekräfta att den virtuella gränsen har upprättats enligt instruktionerna och att den underhålls regelbundet. Inför varje arbetscykel går maskinen runt arbetsområdet för att kontrollera att den virtuella gränsen finns. Finns den inte kommer maskinen att stängas av. Den virtuella gränsen anger arbetsområdet där maskinen tillåts arbeta. RTK-antennen i maskinen känner av när den närmar sig den virtuella gränsen. När maskinen stöter på ett hinder eller närmar sig den virtuella gränsen väljer produkten en ny färdriktning.
- Inspektera regelbundet området där apparaten ska användas och avlägsna alla stenar, pinnar, trådar och andra främmande föremål.
- Inspektera regelbundet blad, bladbulvar och klippenhet visuellt för att säkerställa att de inte är slitna eller skadade. Byt ut slitna eller skadade blad och bulvar uppsättningsvis för att bibehålla balansen.
- Var försiktig med maskiner som har flera blad, eftersom ett roterande blad kan få även de övriga bladen att rotera.
- WARNING! Gräsklipparen skall ej användas utan att skyddet finns på plats.

Drift

1. Allmänt

- Använd aldrig enheten med trasiga skydd eller utan att säkerhetsanordningar som t.ex. deflektorer sitter på plats.
- Placera inte händer eller fötter nära eller under roterande delar. Ställ dig aldrig ivägen för utloppsöppningen.
- Lyft aldrig upp och bär inte enheten medan motorn är igång.
- Använd avaktiveringsanordningen från apparaten:
 - Innan du tar bort något som fastnat;
 - Innan du inspekterar, rengör eller reparerar enheten;
 - Efter att ett främmande föremål stötts på för att inspektera maskinen efter skador;
 - Om maskinen börjar vibrera på ett onormalt sätt, och att kontrollera eventuella skador innan omstart.
- Det är inte tillåtet att modifiera robotgräsklipparens originalutformning. Alla modifieringar görs på egen risk.
- Starta robotgräsklipparen enligt instruktionerna. När strömmen är påslagen, se till att hålla händer och fötter borta från de roterande bladen. För aldrig in händer eller fötter under gräsklipparen.

- g) Lyft aldrig upp robotgräsklipparen eller bär den när strömmen är påslagen.
- h) Låt inte personer som inte vet hur robotgräsklipparen fungerar, använda den.
- i) Lagg ingenting ovanpå robotgräsklipparen eller dess laddningsstation.
- j) Använd inte robotgräsklipparen med en defekt bladskiva eller stomme. Använd den inte heller med defekta blad, skruvar, muttrar eller sladdar.
- k) Stäng alltid av robotgräsklipparen med strömbrytaren när du inte tänker använda den. Robotgräsklipparen kan bara starta när strömmen är påslagen och rätt PIN-kod har angetts.
- l) Håll dina händer och fötter borta från de roterande bladen. Placera aldrig dina händer och fötter nära eller under chassiet när den robotliknande gräsklipparen är i drift.
- m) Undvik användning av maskinen och dess kringutrustning i dåliga väderförhållanden, särskilt vid risk för åsknedslag.
- n) Vidrör inte de farliga delar när de är i rörelse förrän de har stannat helt.
- o) För maskiner som används på offentlig yta, ska varningsskyltarna placeras runt maskinens arbetsyta. De ska visa följande text:
- p) För att undvika skaderisken, stanna vänligen gräsklipparen och bära den till en annan gräsmatta som ska klippas. Dra eller dra aldrig gräsklipparen när den är igång när du byter gräsmattan som ska klippas.

2. När robotgräsklipparen körs automatiskt

- a) Låt inte enheten köra automatiskt utan övervakning på områden där det finns husdjur, barn eller andra personer.

Underhåll och förvaring



WARNING! När gräsklipparen vänds upp och ner ska strömmen alltid vara avstängd.

Strömmen ska vara avstängd under allt arbete på gräsklipparens underrede, som t.ex. rengöring eller byte av blad.

- a) Se till att alla muttrar, bultar och skruvar är ordentligt åtdragna så att enheten hålls i säkert bruksskick.
- b) Inspektera robotgräsklipparen varje vecka och byt ut slitna eller skadade delar för säkerhets skull.
- c) Kontrollera i synnerhet att varken blad eller bladskiva är skadade. Byt ut alla blad och

skruvar uppsättningsvis, så att de roterande delarna behåller sin balans.

- d) Se till att endast använda klippdelar av rätt typ vid utbyte.
- e) Ladda endast batteriet med den laddare som rekommenderas av tillverkaren. Delaktig användning kan leda till elstöt, överhettning eller läckage av frätande vätska från batteriet.
- f) Om elektrolyt skulle läcka ut, spola med vatten/neutraliserande medel, och uppsök läkare om elektrolyten kommer i kontakt med ögon osv.
- g) Service av enheten måste utföras i enlighet med tillverkarens instruktioner.

Rekommendation

Koppla enbart maskinen och/eller dess kringutrustning till eluttag som skyddas av jordfelsbrytare med en felström som inte mer än 30 mA.

Övriga risker

För att undvika skador bör du använda skyddshandskar när du byter bladen.

Transport

Använd originalförpackningen om robotgräsklipparen ska transporteras en längre sträcka.

Så här lämnar/går du in i arbetsområdet på ett säkert sätt:

- a) Tryck på STOP knappen för att stoppa klipparen.
Du valde den fyra siffrorna i PIN-koden när du startade klipparen första gången.
- b) Stäng alltid av robotgräsklipparen om du avser att bära den.
- c) Du bär robotgräsklipparen i handtaget som sitter på framsidan på robotgräsklipparen.
Bär robotgräsklipparen så att bladskivan är bortvänd från din kropp.

Krav för RF-exponering

För att uppfylla kraven för RF-exponering, krävs det att ett separationsavstånd på 200mm eller mer upprätthålls mellan denna apparat och människor då apparaten används.

För att säkerställa överensstämmelse, rekommenderas ingen användning som sker på närmare håll än detta avstånd. Antennen som används för denna sändare får inte finnas på samma plats i anslutning till någon annan antenn eller sändare.

Det är en klass III-apparat och ska endast strömförsörjas med extra låg säkerhetsspänning som motsvarar märkningen på apparaten.

Säkerhetsvarningar för batteri inne i verktyget

- a) **Ta inte isär batteriet, öppna inte heller batteriet eller sära på battericeller.**
- b) **Kortslut inte batteriet. Förvara inte batteriet på ett slarvigt sätt i en låda där det kan kortslutas eller skadas av ledande material.** När batteriet inte används, håll det borta från metallobjekt, såsom pappersgem, pengar, nycklar, naglar, skruvar eller andra små metallobjekt som kan leda ström från en terminal till en annan. Om batteriterminalerna kortsluter varandra kan de förorsaka brandrisk.
- c) **Exponera inte batteriet för eld eller värme. Undvik förvaring i direkt solljus.**
- d) **Utsätt inte batteriet för mekanisk chock.**
- e) **Om batteriet läcker, låt inte vätskan komma i kontakt med hud eller ögon. Om så ändå skulle hända, skölj med mycket vatten och sök läkarhjälp.**
- f) **Håll batteriet rent och torrt.**
- g) **Ladda endast med laddare av varumärket Kress. Använd ingen annan laddare än den som specifikt ska användas med det här batteriet.**
- h) **Använd inte ett batteri som inte är avsett för användning med det här verktyget.**
- i) **Håll batteriet borta från barn.**
- j) **Behåll den ursprungliga bruksanvisningen för framtida användning.**
- k) **Kassera batteriet på rätt sätt.**
- l) **Blanda inte batterier med olika tillverkning, kapacitet, storlek eller typ i enheten.**
- m) **Håll batteriet borta från mikrovågor och högt tryck.**
- n) **Varning! Icke-uppladdningsbara batterier ska inte användas.**

Bruksanvisningskrav för trådlös produkt

- a) Enheten får endast användas under förutsättning att följande två villkor är uppfyllda:
 - (1) Enheten får inte orsaka skadlig störning och
 - (2) enheten måste acceptera all mottagen störning, inklusive störningar som kan orsaka oönskad användning.
- b) **Försiktighet: Ändringar eller modifieringar av denna enhet som inte uttryckligen**

godkänts av parten som är ansvarig för dess uppfyllelse kan upphäva användarens rätt att använda utrustningen.

- c) **NOTERA: Utrustningen alstrar, använder och kan avge radiofrekvensenergi och om den inte installeras och används i enlighet med instruktionerna kan den orsaka skadliga störningar på radiokommunikation. Det finns dock inte någon garanti för att störning inte inträffar i en specifik installation. Om utrustningen orsakar skadliga störningar vid mottagning av radio- eller tv-mottagning, vilket kan fastställas genom att stänga av och slå på utrustningen, uppmanas användaren att försöka korrigera störningen genom en eller flera av följande åtgärder:**
 - Rikta om eller flytta mottagningsantennen.
 - Öka avståndet mellan utrustningen och mottagaren.
 - Anslut enheten till ett uttag som hör till en annan krets än den som mottagaren är ansluten till.
 - Kontakta återförsäljaren eller en erfaren radioeller TV-tekniker för att få hjälp.

Symboler



VARNING –
ROBOTGRÄSKLIPPARE kan vara farliga om de används på fel sätt. Läs noga igenom bruksanvisningen och sätt dig in i dess innehåll innan du använder din ROBOTGRÄSKLIPPARE.



VARNING - Håll ett säkerhetsavstånd från enheten när den är igång.



VARNING – Stäng av enheten innan du utför arbete på den eller lyfter upp den.



VARNING – Åk inte på enheten.



Klass III-apparat



Elektriska avfallsprodukter får inte kasseras med hushållsavfallet. Återvinn på återvinningscentraler. Kontakta dina lokala myndigheter eller återförsäljaren för återvinningsråd.



Litiumjonbatteri Denna produkt har markerats med en symbol som är associerad med "separat samling" av alla batteripaket och batteripaket. Det återvinns eller tas bort för att minska miljöpåverkan. Batteriet kan vara skadligt för miljön och människors hälsa eftersom det innehåller skadliga ämnen.



Kasta inte in i eld



Om det inte hanteras ordentligt kan batteriet gå in i vattencykeln, vilket kan orsaka skador på ekosystemet. Kassera ej använda batterier som osorterat kommunalt avfall.



Tvätta inte maskinen med högtryckstvätt.

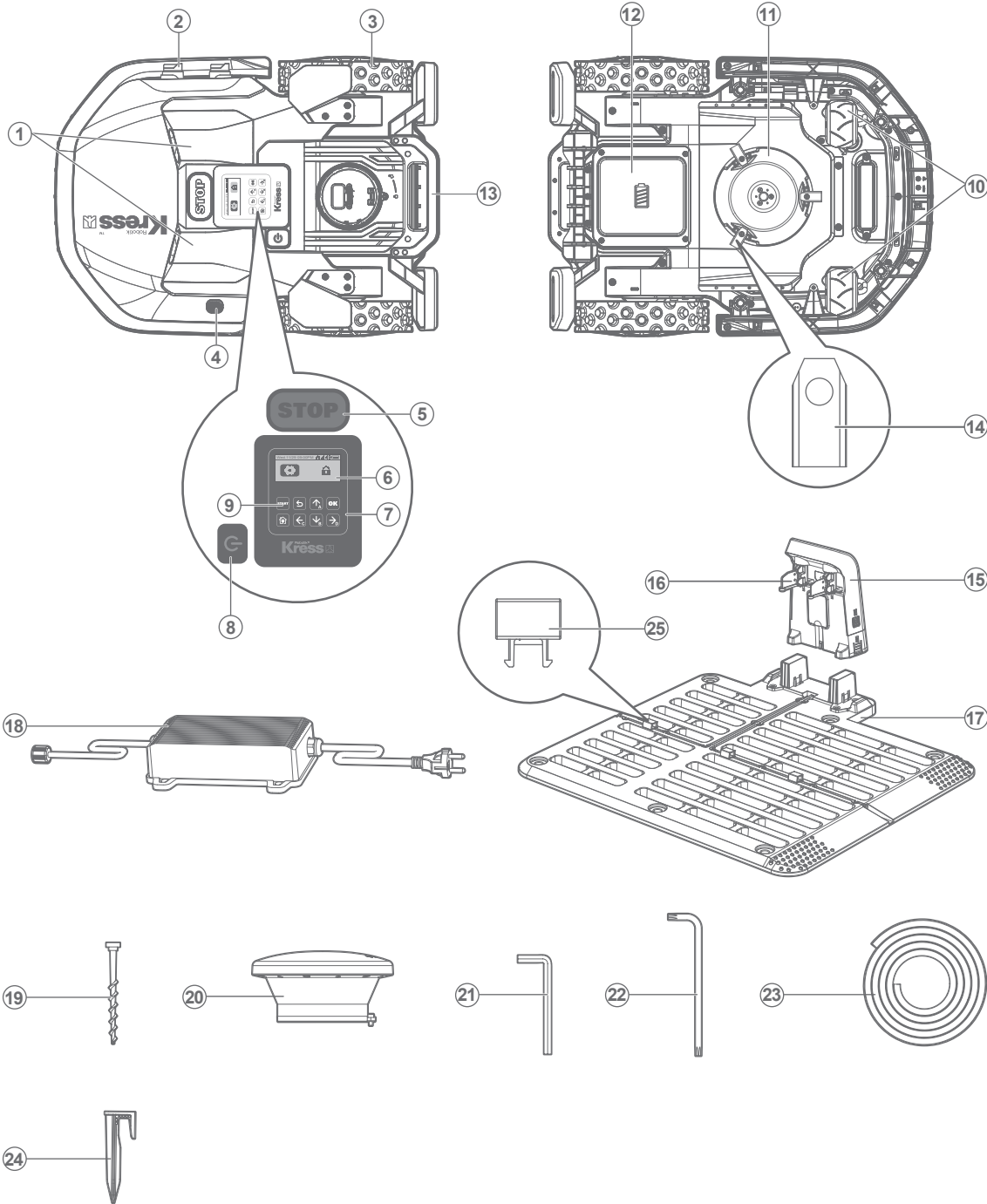


Läs bruksanvisningen



Avtagbar matningsenhet

Dellista



- | | |
|---|---------------------------------|
| 1. Ultraljudsgivare (Endast för KR160E.A, KR161E, KR171E) | 14. Skärblad |
| 2. Laddningsyta | 15. Laddningshög |
| 3. Bakre Drivhjul | 16. Kontaktstift |
| 4. Regnsensor | 17. Laddningsbas |
| 5. STOP-Knapp | 18. Strömadapter |
| 6. Display | 19. Ästdon För Laddningsbas |
| 7. Knappsats | 20. RTK antenn |
| 8. På/Av växla | 21. Insexnyckel |
| 9. START knapp | 22. Skruvnyckel till RTK-antenn |
| 10. Framhjul | 23. Magnetremsa |
| 11. Bladvändskiva | 24. Häftklamrar |
| 12. Batteripaket * | 25. Spänne |
| 13. Handtagsstång | |

* Avbildat eller beskrivet tillbehör ingår delvis inte i leveransomfånget.

Tekniska data

Typ **KR160E KR160E.A KR161E KR171E (100-199 - maskinbeteckning, anger Gräsklipparrobot)**

136

SV

	KR160E	KR160E.A	KR161E	KR171E
Märkspänning	20V $\overline{=}$ Max.*			
Hastighet utan belastning	2700/min			
Klippområde **	600 m ²		1000 m ²	1500 m ²
Klippdiameter	20 cm			
Klipphöjd	30-60 mm			
Positioner för klipphöjd	7			
Batterityp	Litium-jon			
Batterimodell	KA3024			
Laddningstid cirka	180 min			
Laddarmodell	KA0200 / KA0201			
Laddargradering	Ineffekt: 100-240 V~50/60 Hz, 38 W, Uteffekt: 20 V, 1.5 A			
Enhetsvikt	12 kg		12.2 kg	
Skyddsklass	III			
App	Y			
Maximal lutning inom arbetsytan	40%			

* Spänning uppmätt utan belastning. Initial batterispänning är max. 20 V. Nominell spänning är 18 V.

** Den totala klippytan inom alla aktiva förinställningar bör inte överstiga den rekommenderade områdesstorleken. Det överskridna området kan inte tilldelas gräsklipparen.

Tekniska data för antenn


Märkspänning	5V±2%		
Drifttemperatur	-40°C~85°C		
Förvaringstemperatur	-40°C~85°C		
Band	Tx(Mhz)	Rx(Mhz)	RF uteffekt (Max)
GSM900(B8)	880-915	925-960	33dBm
DCS1800(B3)	1710-1785	1805-1880	30dBm
WCDMA B1	1920-1980	2110-2170	24dBm
WCDMA B8	880-915	925-960	24dBm
LTE-FDD B1	1920-1980	2110-2170	23dBm
LTE-FDD B3	1710-1785	1805-1880	23dBm
LTE-FDD B7	2500-2570	2620-2690	23dBm
LTE-FDD B8	880-915	925-960	23dBm
LTE-FDD B20	832-862	791-821	23dBm
LTE-FDD B28	703-748	758-803	23dBm
LTE-TDD B38	2570-2620	2570-2620	23dBm
LTE-TDD B40	2300-2400	2300-2400	23dBm

137
SV

Tekniska data för 4G-GPS

4G-modul -GNSS	GNSS GPS Band L1	1575.42+/-1.023
	Galileo band E1	1575.42+/-1.023
	BDS Band E11	1561.098+/-2.046
	GLONASS Band G1	1579.5~1605.8

Bullerinformatio

	KR160E KR160E.A KR161E KR171E
A-viktat ljudtryck	$L_{pA} = 47.5 \text{ dB (A)}, K_{pA} = 3.0 \text{ dB(A)}$
A-viktad ljudnivå	$L_{wA} = 55.5 \text{ dB (A)}, K_{wA} = 3.0 \text{ dB(A)}$
Bär hörselskydd när ljudtrycket är högre än	80dB(A) 

Ett visst mått av buller från maskinen kan inte undvikas. Återkommande bullerarbete ska licensieras och begränsas under vissa perioder. Att hålla viloperioder och begränsa arbetstiden till ett minimum kan även behövas. För personligt skydd och för skydd av personer som jobbar i närheten skall lämpligt hörselskydd bäras.

Tillbehör

	KR160E	KR160E.A	KR161E	KR171E
Skruvar för att fästa knivar	9	9	9	9
Laddningsbas	1	1	1	1
Fästspikar för laddningsbas	6	6	6	6
Insexnyckel	1	1	1	1
Skruvnyckel till RTK-antenn	1	1	1	1
Magnetremsa	1	1	1	1
Mätinstrument	2	2	2	2
Blad	9	9	9	9
RTK antenna	1	1	1	1
Häftklamrar	16	16	16	16
Batteripaket (KA3024)	1	1	1	1
Laddning (KA0200/KA0201)	1	1	1	1

138
SV

Vi rekommenderar att du endast köper originaldelar enligt ovanstående lista från den butik där du köpte enheten. Se tillbehörsförpackningen för mer information. Butikspersonalen kan hjälpa dig och ge råd.

Ändamålsenlig användning

Denna gräsklippare är avsedd för hemmabruk. Den är konstruerad att klippa ofta och hålla gräsmatta finare och i bättre form än någonsin. Beroende på din gräsmattas storlek kan Mission™ RTKⁿ programmeras att arbeta när som helst eller regelbundet. Den är inte avsedd för grävning, sopning eller snöröjning.

Underhåll

Du måste inspektera din Mission™ RTKⁿ då och då. Din Mission™ RTKⁿ jobbar hårt och behöver emellanåt rengöras grundligt samt få vissa delar utbytta när de blir slitna. Använd aldrig Mission™ RTKⁿ med defekt AV/PÅ knapp.

Stäng av maskinen innan du utför service eller underhåll.

Här nedan informerar vi om hur du tar hand om din Mission™ RTKⁿ.

1

Skärpa

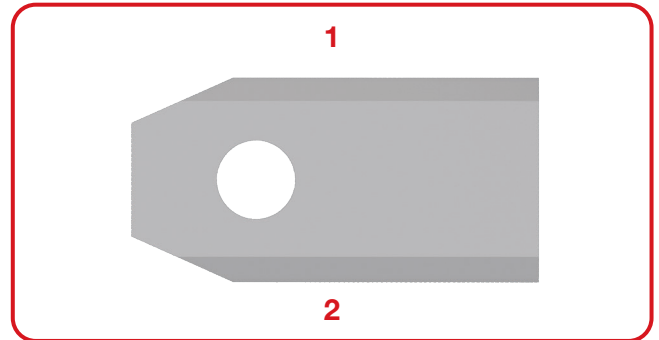


WARNING: Före rengöring, justering eller utbyte av blad, stäng AV din Mission™ RTKⁿ. Använd skyddshandskar.



WARNING: Vid byte av blad se till att du byter ALLA blad när något byte görs. Använd alltid nya skruvar när bladen fästs. Detta är viktigt för att säkerställa att bladet hålls kvar och att bladskivan förblir balanserad. Om inte nya skruvar används kan det orsaka allvarliga skador.

Mission™ RTKⁿ klipper inte gräs som andra gräsklippare. Dess skärblad är knivskarpa i fyra kanter och roterar i båda riktningar för maximal kapacitet. Ombyggd profil på kniven förhindrar att klippt gräs fastnar i springan mellan skivan och kniven. Och med nytt material kommer livslängden för varje kniv att vara längre än för andra märken när det är programmerat att klippa varje dag. Kontrollera alltid om knivarna är flisade eller skadade och byt ut dem om de är. När skärbladen är trubbiga och utslitna, bör de bytas ut mot de reservblad som medföljer ditt uppdrag Mission™ RTKⁿ. Reservblad finns också hos din närmaste Kress-återförsäljare.



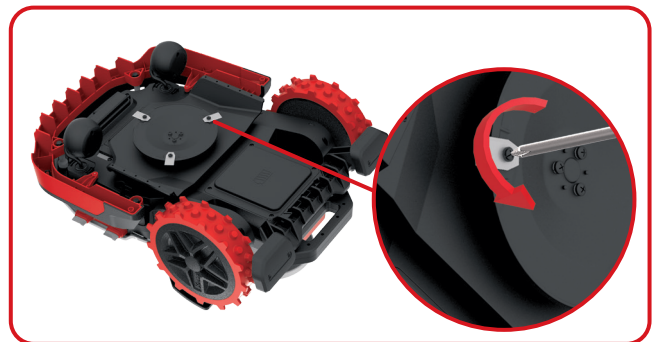
A. Byta ut bladen

Normalt sett behöver bladen på Mission™ RTKⁿ vändas varje månad och bytas ut varje vecka. Hur ofta du byter ut bladen kan justeras beroende på kvaliteten på gräsklippningen. När du byter ut bladen ska du alltså byta ut alla blad samtidigt. Du kan ersätta bladen med en av de reservsatserna och extra bladskruvarna som medföljer din Mission™ RTKⁿ.

Innan något byte av Mission™ RTKⁿ's blad görs, stäng av strömmen och ta på skyddshandskar. Följ därefter dessa steg:

1. Vänd försiktigt på din Mission™ RTKⁿ.
2. Ta bort batterilocket och batteriet.
3. Ta bort skruvarna på bladen med en skruvmejsel.
4. Skruva fast de nya bladen ordentligt.
5. Sätt tillbaka batteriet och batterilocket.

Viktigt: När du har skruvat fast bladet på bladskivan, kontrollera att bladet kan rotera fritt.



2

Rengöring

! **WARNING:** Innan du ska rengöra din Mission™ RTKⁿ måste du stänga AV den Sätt på skyddshandskar innan du rengör bladskivan. Använd inte rinnande vatten.

! **Varning!** DIN Mission™ RTKⁿ kan endast tvättas med hjälp av en slang! Använd **INTE** högtryckstvätt på din Mission™ RTKⁿ. Högtrycksvatten kan gå in i tätningarna och skada elektroniska och mekaniska delar.

A. Rengöring av stomme

Din Mission™ RTKⁿ kommer att leva längre och må bättre om du rengör den regelbundet. Då Mission™ RTKⁿ är en elektrisk maskin bör du vara försiktig vid rengöring. Rengöring av slangvatten stöds. Det är bäst att använda en sprejflaska fylld med vatten. Vid rengöring av maskinens hölje använd en mjuk borste eller en ren trasa och undvik att använda rengöringsmedel eller polish. Slutligen, se till att ta bort all uppsamlat gräsklipp och skräp.

B. Rengöring av undersida

Återigen är det viktigt att du stänger AV din Mission™ RTKⁿ och **att du använder skyddshandskar när du rör vid bladskivan**. Först, vänd din Mission™ RTKⁿ upp och ned för att visa undersidan. På undersidan kan du se bladskivan, den omgivande motorramboxen och framhjul och drivhjul. Rengör alltihop noggrant med en mjuk borste eller en fuktig trasa. Rengöring av slangvatten stöds.

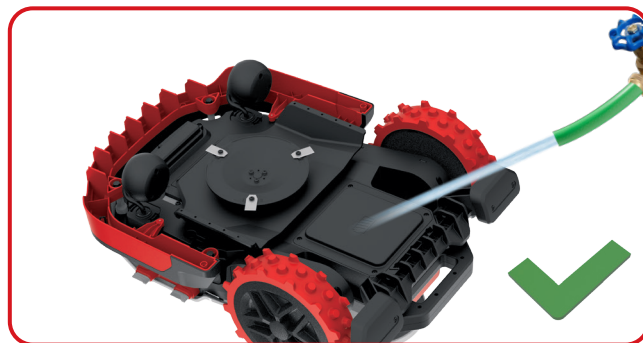


140

SV

Rotera bladskivan för att kontrollera att den roterar fritt. Kontrollera att bladen kan rotera fritt runt fästskruvarna. Ta bort eventuella blockage.

VIKTIGT: Ta bort allt skräp så att det inte får bladskivan att spricka. Till och med en minimal spricka kan försämra gräsklipparens effekt.



C. Rengöring av kontaktstift och laddbleck

Rengör kontaktstiften på laddningsstationen och laddningsremsan på Mission™ RTKⁿ med en trasa. Ta bort ansamlade gräsrester och smuts runt kontaktstiften och laddningsremarna med regelbundna mellanrum för att se till att Mission™ RTKⁿ laddas ordentligt varje gång.

3

Batterilivstid

Hjärtat i din Mission™ RTKⁿ är dess 20V litiumjonbatteri. För korrekt förvaring av batteriet, förvara det fulladdat på en kall och torr plats mellan -20°C~+60°C.

HUOMAA: Mission™ RTKⁿ rekommenderade användningstemperatur är 0°C - 55°C.

The life-span of the Mission™ RTKⁿ's battery depends on various factors, such as:

- Hur lång klippsäsongen är i din region
- Hur många timmar din Mission™ RTKⁿ klipper gräs per dag
- Hur du sköter batteriet under förvaring

Mission™ RTKⁿ kan laddas manuellt.

1. Anslut laddningsbasen till en lämplig strömkälla. Laddningsenhetens gröna ljus kommer att lysa.
2. Docka den avstängda Mission™ RTKⁿ manuellt inom laddningsbasens räckvidd.
3. Laddningsenhetens gröna ljus kommer att bli rött, kommer Mission™ RTKⁿ att börja ladda.



4

Vinterförvaring

Din Mission™ RTKⁿ kommer att leva längre och hålla sig friskare om den får gå i ide på vintern. Därför rekommenderar vi att du förvarar din Mission™ RTKⁿ i ett uthus eller ett garage under vintern.

Innan du stuvor undan din Mission™ RTKⁿ inför vintern ska du:

- Rengöra din Mission™ RTKⁿ noggrant
- Ladda batteriet fullt
- Stänga av gräsklipparen

För att maximera batteriets livstid rekommenderas du att ladda det fullt innan du stuvor undan det inför vintern.

⚠ WARNING: Skydda undersidan av Mission™ RTKⁿ enheten från vatten. Förvara ALDRIG Mission™ RTKⁿ enheten upp och ner utomhus.

OBS: När du tar fram din Mission™ RTKⁿ efter vinterförvaringen, kontrollera att laddningsytorna och kontaktstiften är rena. Du kan använda en fin smärgelduk för att rengöra dem. Genom att använda appen, se till att datumet och tiden stämmer och låt Mission™ RTKⁿ fortsätta med sin favoritsyssla: klippa gräset.

5

Byta ut batteriet

⚠ WARNING: För ON/OFF-knappen till OFF innan du utför en justering, utbyte eller reparation.

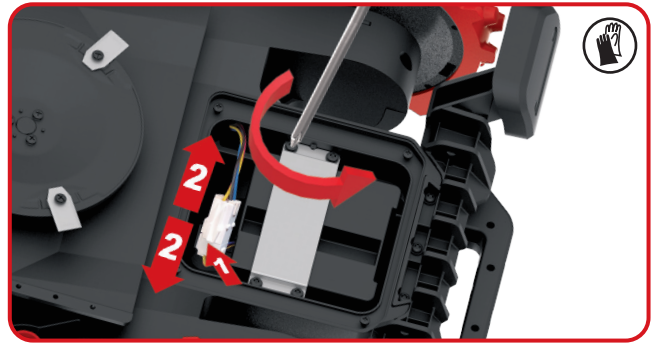
Före utbyte av blad, stäng AV din Mission™ RTKⁿ Använd skyddshandskar.

När du behöver byta batteri, följ dessa steg:

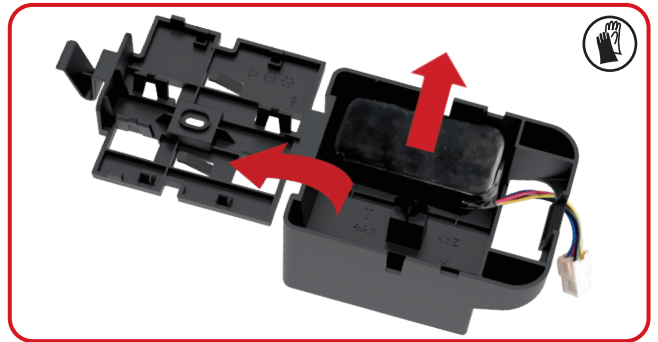
1. Vänd försiktigt på din Mission™ RTKⁿ.
2. Ta bort de skruvarna som håller fast batteriet. Ta bort batteriluckan.



3. Skruva bort skruvarna på plåten.
Ta bort plåten.
 4. Tryck ned spärren och frigör kontakterna som bilden visar. Lyft ut batterilådan försiktigt.
- OBS:** Dra inte i några sladdar. Håll kontakterna och lossa spärren.



5. Öppna batterilådan och lyft sedan ut batteriet försiktigt. Byt ut det gamla batteriet mot det nya.



6. Sätt tillbaka batterilådan på plats och koppla in kontakterna. Sätt tillbaka plåten.



7. Sätt tillbaka locket i sin position och montera fast skruvarna.



Felsymptom


Om din Mission™ RTKⁿ inte fungerar som den ska, följ felsökningsguiden nedan. Om felet kvarstår, kontakta din återförsäljare.

Symptom	Orsak	Lösning
Lysdioden på laddningsstationen tänds inte.	Det finns ingen ström.	Kontrollera att laddningsbasen är korrekt ansluten till laddaren och att laddaren är ansluten till en lämplig strömkälla.
Mission™ RTK ⁿ kan inte docka korrekt med laddningsbasen.	Magnetremsan är placerad åt fel håll.	Kontrollera att magnetremsan inte är placerad åt fel håll. När den är korrekt placerad, är den gröna remsan på magnetremsan vänd bort från laddningsbasen.
Maskinen får slut på ström men återgår inte till laddningsbasen.	Ingen virtuell laddningsbas är kartlagd.	Bygg om kartan och lägg till den virtuella laddningsbasen.
	Längden på magnetremsan är mindre än 2,5 m.	Längden på magnetremsan ska vara längre än 2,5 m.
När Mission™ RTK ⁿ går utför, överskrider den gränslinjen.	Vinkeln på gränslinjen är mycket skarp.	Försök att undvika scenarier i layouten med skarpa vinklar.
När Mission™ RTK ⁿ är påslagen, trycks startknappen, men Mission™ RTK ⁿ fungerar inte.	Mission™ RTK ⁿ befinner sig utanför arbetsområdet.	Flytta Mission™ RTK ⁿ in i arbetsområdet.
	Dålig positionerad signal	Hitta en öppen plats, vänta tills signallampan för positionen lyser grönt och tryck sedan på startknappen.
Mission™ RTK ⁿ avger inget larm när den är utanför Geostängslet.	Mission™ RTK ⁿ programvara är inte den senaste versionen.	Uppdatera programvaran med den senaste versionen för Mission™ RTK ⁿ .
	Mission™ RTK ⁿ är avstängd.	Slå på Mission™ RTK ⁿ .
Mission™ RTK ⁿ är parkerad mitt på hindret.	Hindren runt omkring Mission™ RTK ⁿ är relativt små, och Mission™ RTK ⁿ lyckas inte ta sig ur problemet.	Ställ in området där Mission™ RTK ⁿ är lätt fångad som förbjudet område.
	Mission™ RTK ⁿ sensor betar sig onormalt	Öppna Mission™ RTK ⁿ diagnostiska sida på APPEN och kontrollera status för sensor.
Det går inte att läsa loggen	Formatet på U-disken är inte FAT32 .	Konvertera formatet på U-disken till FAT32 .
Mission™ RTK ⁿ står parkerad runt väggen och kan inte startas, och lampan för positionering lyser alltid rött.	Mission™ RTK ⁿ arbetar i det skuggade området för länge, vilket utlöser säkerhetsskyddet.	Försök undvika att Mission™ RTK ⁿ klipper i områden med för mycket skugga.
	Det finns för många väggar eller träd i området, vilket blockerar signalen för positionering	

143

SV

Miljöhänsyn

 Elektriska avfallsprodukter får inte kasseras med hushållsavfallet. Återvinn på återvinningscentraler.
 Kontakta dina lokala myndigheter eller återförsäljaren för återvinningsråd.

Deklaration om överensstämmelse

Vi,
Positec Germany GmbH
Postfach 680194, 50704 Cologne, Germany

På Positecs vägnar förklara att produkten,
Beskrivning **Gräsklipparrobot**
Typ **KR160E KR160E.A KR161E KR171E (100-199- maskinbeteckning, anger Gräsklipparrobot)**
(År, artikelnummer och serienummer uppges på sista sidan. Det fullständiga serienumret står tydligt på gräsklipparens förpackningen) med batteriladdare KA0200 / KA0201 laddningsstation KA0074
Funktion **Gräsklippning**

Uppfyller följande direktiv,
2006/42/EC, 2014/30/EU, 2014/35/EU, 2011/65/EU&(EU)2015/863, 2000/14/EC ändrad av 2005/88/EC, 2014/53/EU

2000/14/EC ändrad senast 2005/88/EC

- Förfarande för bedömning av överensstämmelse enligt
- Uppmätt ljudeffektnivå
- Deklarerad garanterad ljudeffektnivå

Annex V
55.5 dB (A)
59 dB (A)

Standarder överensstämmer med,

För gräsklippare: EN 50636-2-107:2015+A1:2018+A2:2020+A3:2021, EN 60335-1:2012+A11:2014+A13:2017+A1:2019+A2:2019+A14:2019+A15:2021, EN IEC 62311:2020, EN IEC 55014-1:2021, EN IEC 55014-2:2021, EN IEC 61000-3-2:2019+A1:2021, EN 61000-3-3:2013+A1:2019+A2:2021

För ultraljudsmodul: EN 55011: 2016+A11:2020

För 4G+GPS modul: EN 301 489-1 V2.2.3, EN 301 489-19 V2.1.1, EN 301 489-52 V1.2.1, EN 301 511 V12.5.1, EN 301 908-1 V15.0.1, EN 301 908-13 V13.1.1, EN 303 413 V1.2.1

För laddare: EN IEC 55014-1:2021, EN IEC 55014-2:2021, EN IEC 61000-3-2:2019+A1:2021, EN 61000-3-3:2013+A1:2019+A2:2021, EN IEC 60335-2-29:2021+A1:2021, EN 60335-1:2012+A11:2014+A13:2017+A1:2019+A2:2019+A14:2019+A15:2021, EN 62233:2008

För buller: EN ISO 3744:1995

För RoHS: EN IEC 63000:2018

Personen som godkänts att sammanställa den tekniska filen,

Namn **Marcel Filz**

Adress **Positec Germany GmbH Postfach 680194, 50704 Cologne, Germany**

2024/02/28

Allen Ding

Vice chefsingenjör, tester och certifiering

Positec Technology (China) Co., Ltd.

18, Dongwang Road, Suzhou Industrial

Park, Jiangsu 215123, P. R. China



MISION™

www.kress-robotik.com